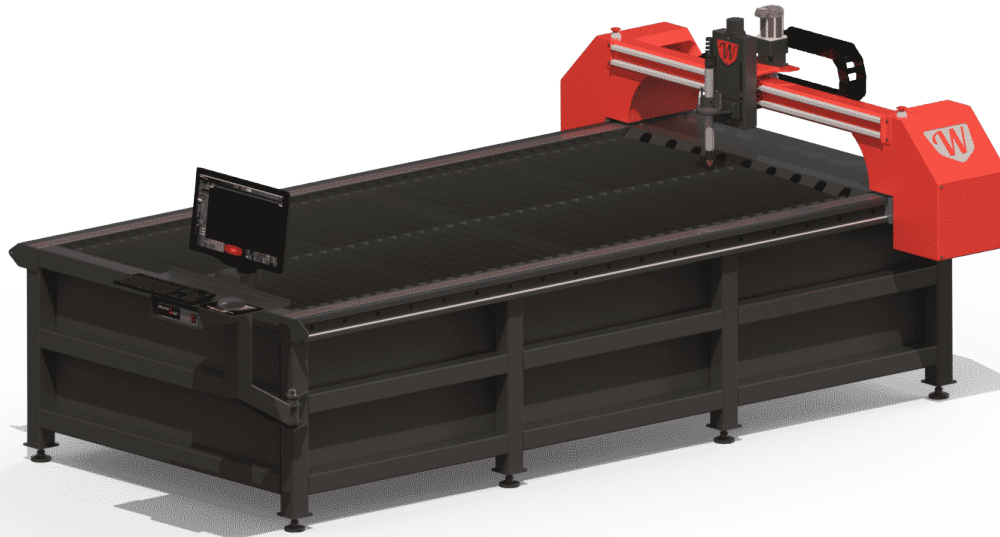




(<https://westcottplasma.com>)



Looking for that light industrial table with a heavy duty feel?

Our Pro Series™ table powered by Design2Cut™ (<https://westcottplasma.com/resources/>) is here to perform!



Light Industrial



Great for Light Industrial Businesses



Endless Configurations

REQUEST A QUOTE

Quick Glance



High Definition Ready



Design2Cut™ Controls With Microsoft Windows Environment



4'X4', 4'X8', 5'X10' Size Configurations



Standard 110 / 220v Single Phase Power *



Teknic ClearPath® Brushless Servo Drive System



Designed For Up To 2" Plate

*Some higher amperage air plasma power supplies and HD plasma power supplies will require 3ph power.

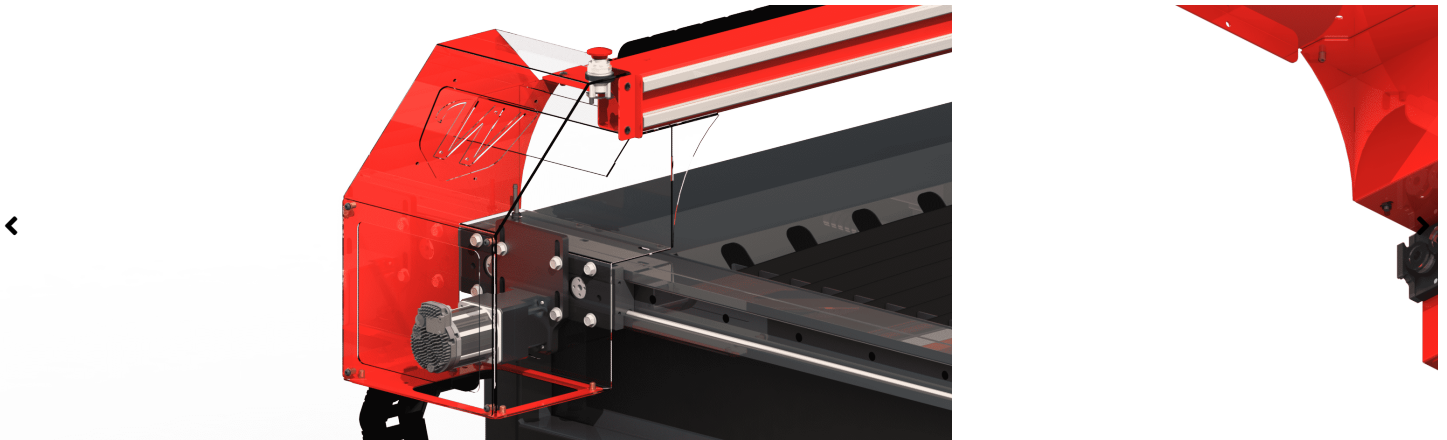
Features And Overview

Looking for that light industrial table with a heavy duty feel? Our Pro Series™ table powered by Design2Cut™ (<https://westcottplasma.com/resources/>) is here to perform!

From the ground up the Pro Series™ is designed for heavy use with a fully welded steel construction. The Pro Series™ table features a dual chamber adjustable water bed that can be raised and lowered in seconds. No moving parts, no bladder, nothing to ever fail, and best of all no smoke filled shop when cutting.

The water bed system uses only shop air to raise and lower the water level so parts can be quenched and retrieved with ease. The Pro Series™ table features an over sized cutting window so multiple processes can be mounted to suit your needs.

REQUEST A QUOTE



(<https://westcottplasma.com/resources/>)

DESIGN2CUT™ SOFTWARE CONTROL FEATURES

Custom Shape Library allowing you to quickly generate common shapes with simple value





input.



CAD/CAM/CUT™ allows you to easily draw or import your parts in CAD, you create efficient tool paths in CAM, and you cut parts accurately in CUT.



Automatic Tool Path Generation makes for simple manipulation of feeds and speeds.



Automatic Kerf Compensation gives the ability to change kerf of a profile, and allows you to change from a cutout to a part.



Kerf Crossing Detection when crossing over an existing cut THC automatically adjusts to prevent torch diving.



Basic Lead-ins allows you to change the location and type of lead in and lead out.



Change the cutting order gives you the ability to optimize the cutting order of your nested parts.



Grid Nesting allows you to create row and column nests.



True Shape Nesting quickly and efficiently nests parts, minimizing material waste.



Fix Drawing Tool automatically scans, identifies, and repairs errors in imported CAD files.



Cut Charts are preloaded cut parameters for Hypertherm and Thermal Dynamics plasma cutters.



Multipart and Multisheet nesting paired with True Shape Nesting.



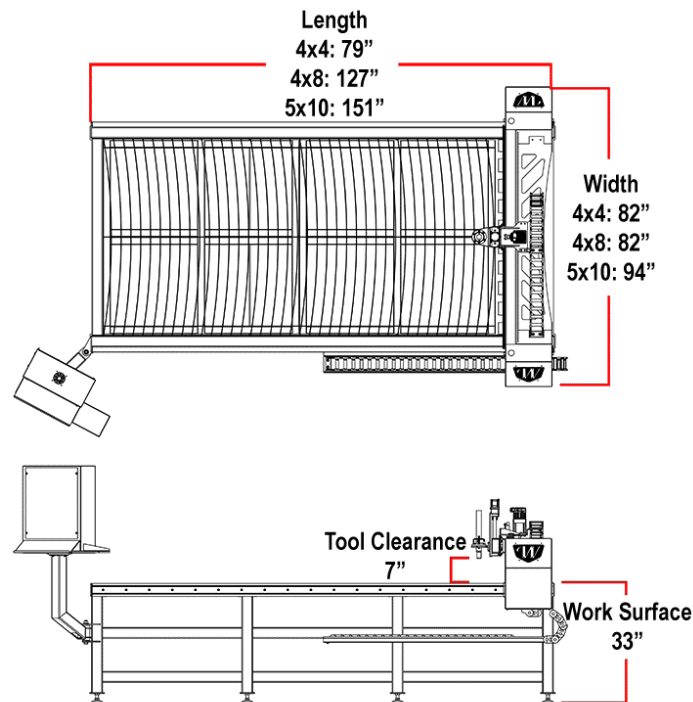
Simple Pause Cut, and Restart Capabilities, No need to interact with G-Code.

FREE DESIGN2CUT TRIAL
([HTTPS://WESTCOTTPLASMA.COM/RESOURCES/](https://westcottplasma.com/resources/))

Table Construction

- Dual Chamber adjustable water system which reduces airborne smoke and debris
- Adjustable water height
- Steel fabricated gantry with dual drive system
- Nema34 698 oz. Teknic Clearpath Brushless Servo Motors
- 10:1 planetary gear boxes with 3 arc-min backlash

- Fabricated sheet metal Z axis with 5mm pitch ball screw
 - Ohmic sensing and collision sensors on Billet Westcott Torch holder
 - Rack and pinion drive system
 - 35MM Precision speed guide rails with 6 roller bearings per side
 - 2 x 20 MM Linear Rails w/ 4 recirculating bearing Blocks on gantry
 - Digital torch height control
 - Rapid speeds up to 1100ipm
 - Fastest cycle times in the industry
 - .0004 resolution
 - Designed and constructed for industrial use
 - Durable powder coated finish throughout
 - Oversized cable carrier system
 - Design2Cut™ Control System (<https://westcottplasma.com/resources/>)
 - Familiar Windows based operating system
 - Remote access machine support available using Team Viewer
 - Unlimited tech support and training for the life of the machine
- Completely tested in house before shipment
 - 1 year warranty on electronics and parts
 - Proudly Made in the USA



Cutting Systems

The Pro Series™ Tables are High Definition Plasma (<https://westcottplasma.com/accessories/>) ready, and can be outfitted with a Thermal Dynamics Ultra-Cut XT system (<https://westcottplasma.com/accessories/>) at time of shipping or one can be retrofitted when your shop's needs expand to require it.

The Ultra-Cut XT (<https://westcottplasma.com/accessories/>) systems' superior cut quality means that parts can go directly from the cutting table to welding, painting or assembly without expensive secondary operations.

Ultra-Cut XT (<https://westcottplasma.com/accessories/>) high precision plasma systems cut with:

- Excellent dross-free cuts using oxygen (O₂) plasma on mild steel.
- Unmatched cut quality on non-ferrous metals using unique Water Mist Secondary (WMS®) process.

Pair with any Air Plasma cutter (<https://westcottplasma.com/accessories/>) from Thermal Dynamics' A-Series (<https://westcottplasma.com/accessories/>) or Hypertherm's Powermax Series (<https://westcottplasma.com/accessories/>).



Pricing

Base price for tables before accessories and power supply selection.

4' X 4'

Contact Us For Pricing

- ✔ Includes software, electronics & factory calibration

GET FINANCING ([HTTPS://WESTCOTTPLASMA.COM/FINANCING/](https://westcottplasma.com/financing/))

4' X 8'

Contact Us For Pricing

- ✔ Includes software, electronics & factory calibration

GET FINANCING ([HTTPS://WESTCOTTPLASMA.COM/FINANCING/](https://westcottplasma.com/financing/))

5' X 10'

Contact Us For Pricing

- ✔ Includes software, electronics & factory calibration

GET FINANCING ([HTTPS://WESTCOTTPLASMA.COM/FINANCING/](https://westcottplasma.com/financing/))

PRO SERIES™ PLASMA TABLE

Request A Free Quote

First Name

Last Name

Email

Contact Number

Table Size

- 4 x 4 4 x 8 5 x 10

Plasma Cutter/Power Supply

- A40 A60 A80 A120 PowerMax 45 PowerMax 65 PowerMax 85
 PowerMax 105 PowerMax 125

SEND





(<https://westcottplasma.com>)

PRODUCTS

REQUEST A QUOTE (<https://westcottplasma.com/request-quote/>)

OUR PRODUCTS (<https://westcottplasma.com/products/>)

PRO SERIES HD™ (<https://westcottplasma.com/cnc-plasma-table-pro-series-hd>)

PRO SERIES™ (<https://westcottplasma.com/pro-series/>)

TITAN X SERIES™ (<https://westcottplasma.com/titan-series-plasma-table>)

ACCESSORIES (<https://westcottplasma.com/accessories/>)

RESOURCES

CONTACT US (<https://westcottplasma.com/contact/>)

ABOUT US (<https://westcottplasma.com/about/>)

FINANCING (<https://westcottplasma.com/financing/>)

PRIVACY POLICY (<https://westcottplasma.com/privacy-policy/>)

RESOURCES (<https://westcottplasma.com/resources/>)

TRAINING (<https://westcottplasma.com/training/>)

BLOG (<https://westcottplasma.com/blog/>)

WESTCOTT UNIVERSITY

JOIN NOW
([HTTPS://LEARN.WESTCOTTPLASMA.COM/](https://learn.westcottplasma.com/))

© 2020 Westcott Plasma | All rights reserved | Website by Ranksey (<https://ranksey.com/utah-web-design/>)