



# FBLD-976-130W-FC105-0.15-VBG-2Pin

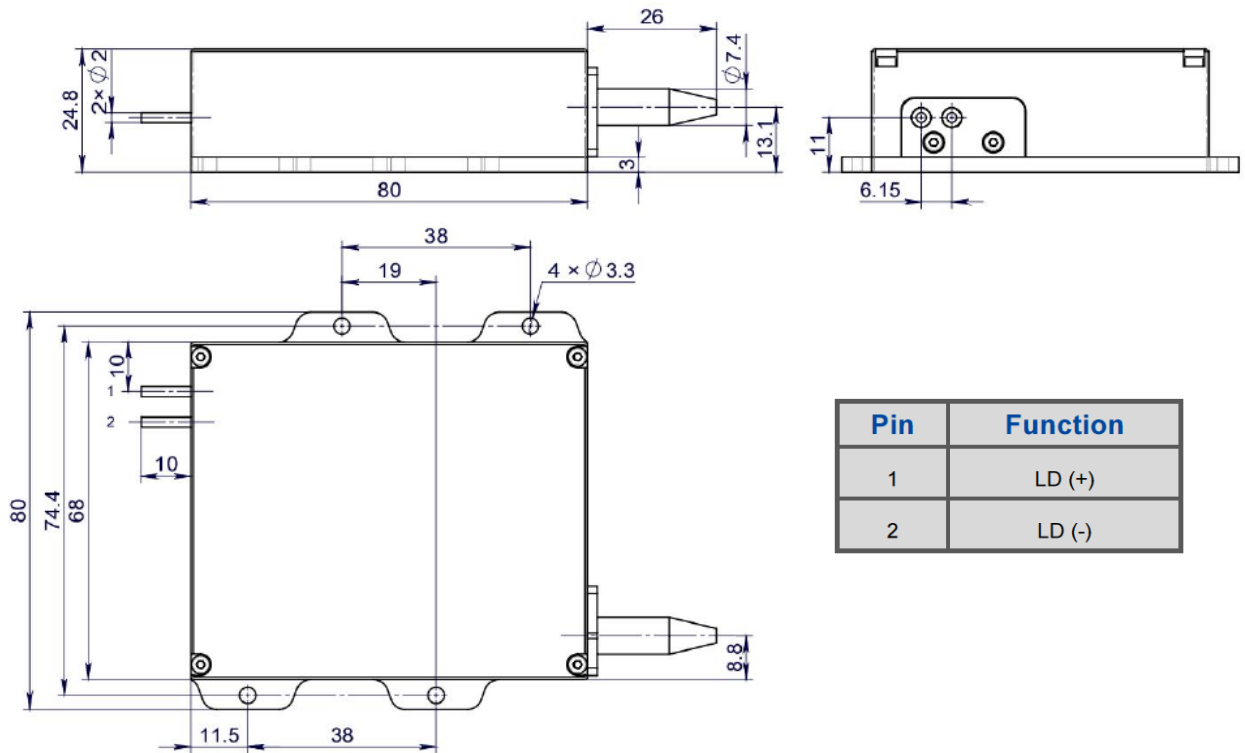
## Wavelength Stabilized Fiber-coupled Laser Diode

**Features:**                      **Wavelength 976nm**  
    **CW Output Power 130W**  
    **Fiber Core Diameter 105µm / NA 0.15**  
    **Wavelength Stabilized (VBG)**  
    **Feedback Protection Filter**

Specifications	Unit	Min	Typ	Max
<b>Optical Data</b>				
CW Output Power	W	130	-	-
Center Wavelength $\lambda$	nm	975.5	976	976.5
Spectral Width (FWHM)	nm	-	-	1
Back Reflection Wavelength	nm	1020	-	1200
Back Reflection Isolation	dB	-	30	-
Wavelength Shift with Temp.	nm/°C	-	0.02	-
Wavelength Shift with Current	nm/A	-	0.03	-
Wavelength Locked Range	A	$(I_{op}-2) \sim I_{op}$		
<b>Fiber Data</b>				
Core Diameter	µm	-	105	-
Numerical Aperture	NA	-	0.15	-
Cladding Diameter	µm	-	125	-
Fiber Length	m	-	2	-
Fiber Connector		-	None	-
Minimum Bending Radius	mm	60	-	-
<b>Electrical Data</b>				
Threshold Current	A	-	1.1	-
Operation Current	A	-	-	15
Slope Efficiency	W/A	-	10	-
Electrical-to-Optical Efficiency	%	-	40	-
Operation Voltage	V	-	-	25

Specifications	Unit	Min	Typ	Max
<b>Temperature Conditions</b>				
Case Operation Temperature	°C	20	-	30
Storage Temperature	°C	-20	-	70
<b>Other Parameters</b>				
ESD	V	-	-	500
Lead Soldering Temperature	°C	-	-	260
Lead Soldering Time	sec	-	-	10
Relative Humidity	%	15	-	75

### Package Dimensions (mm)



Pin	Function
1	LD (+)
2	LD (-)