



FPYL-355-XXXT-Q-AO

UV Acousto-optic Q-switched DPSS Laser

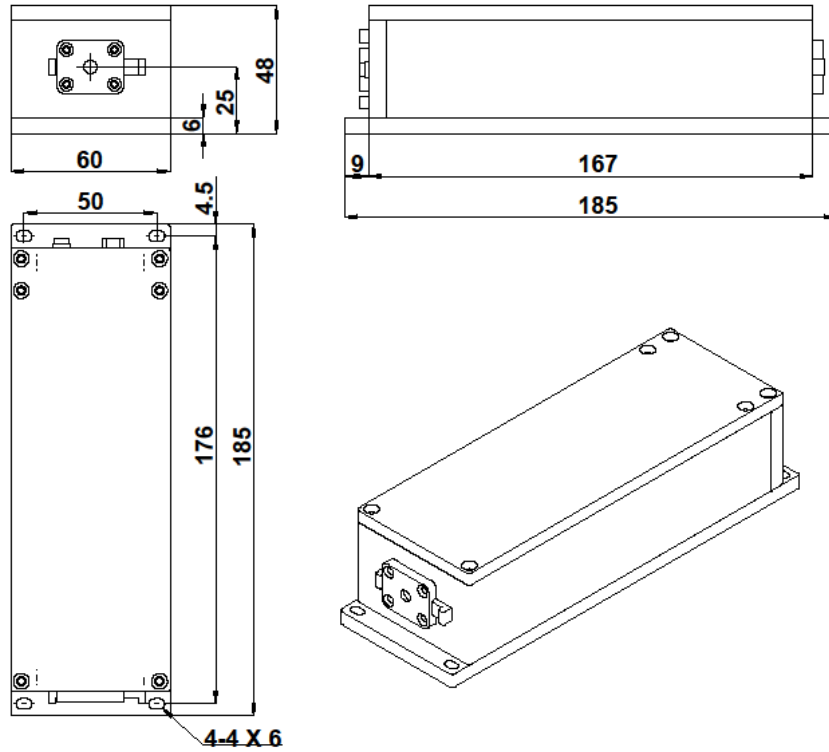
Specifications

Wavelength (nm)	355±1
Average Output Power (mW)	1 - 100*
Operation Mode	Q-switched: AO
Single Pulse Energy (µJ)	1 - 40
Repetition Rate (kHz)	0.1 - 20
Pulse Duration	typical 5~10ns @<10KHz (depends on power and repetition rate)
Power Stability (RMS, over 4 hours)	<3%, <5%, <10%*
Transverse Mode	Near TEM ₀₀
M ² Factor	<1.5
Beam Diameter (1/e ²) (mm)	~0.3 (~1.2 optional)
Beam Divergence (full angle) (mrad)	<5 (<1.5 optional)
Polarization Ratio	>100:1 (horizontal ±5°)
Warm-up Time (minutes)	<10
Beam Height from Base Plate (mm)	25
Operating Temperature (°C)	10 - 35
Power Supply Voltage (V)	90 - 264
Expected Lifetime (hours)	>5000

* To be specified

Note: The laser head has to be used on a heat sink with good heat dissipation.

Laser Head Drawing



Power Supply Drawing

