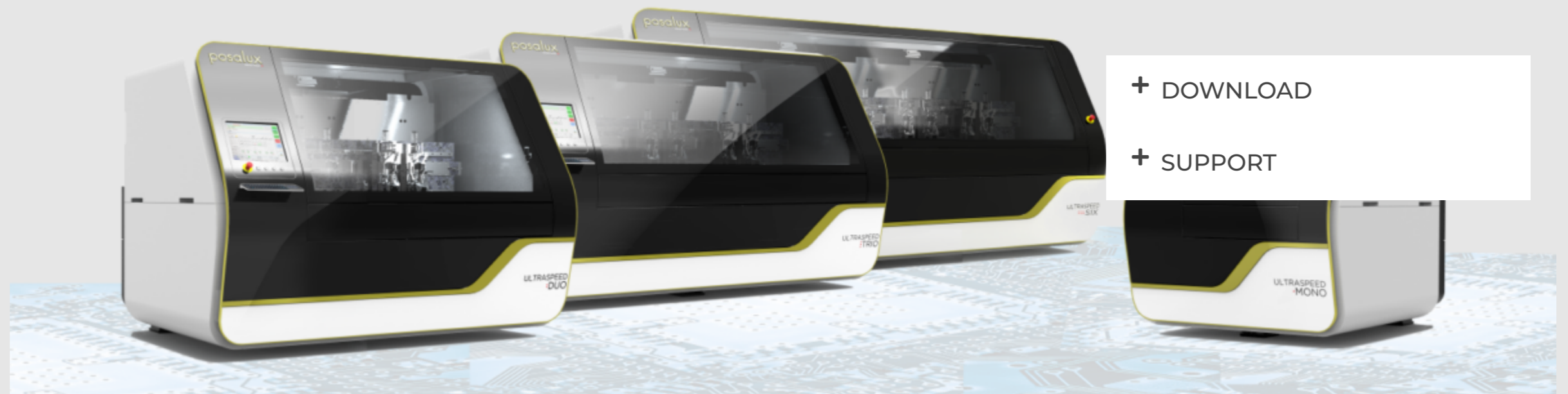
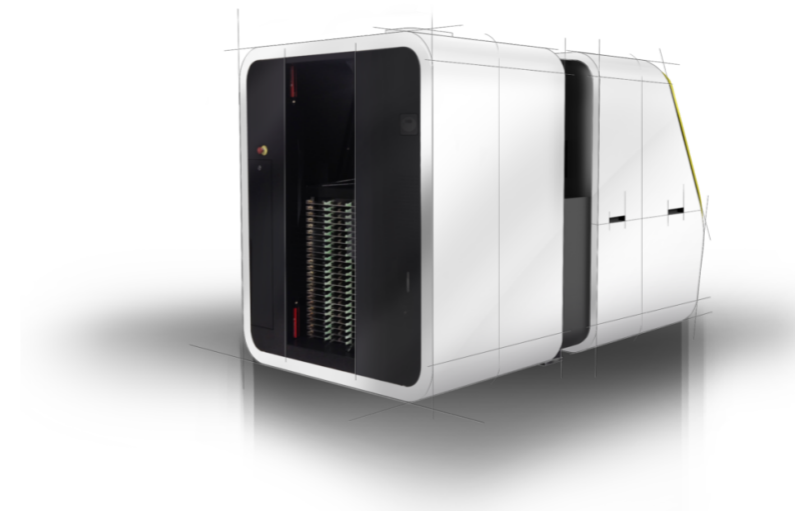




ULTRASPEED – The latest generation of PCB drilling and routing machines



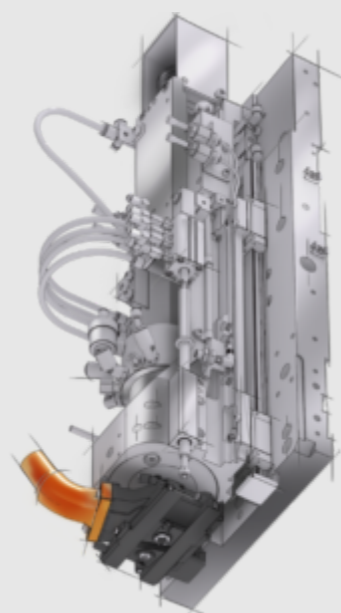
- Innovative and ergonomic design
- One, two, three, and six stations available in single, combi, or dual version
- X, Y and Z axis with linear motor drives
- Workpiece format : 635 x 724 mm (25" x 28.5")
- XY individual technology available on TRIO model (workpiece format : 610 x 724 mm – 24" x 28.5")
- Choice from an extensive range of drilling, routing or combination spindles
- Spindle speed range from 5'000 to 350'000 rpm
- Tool management system with chain, Asian Tool Change (ATC) and cassette



Individual Loader
Up to 22 levels

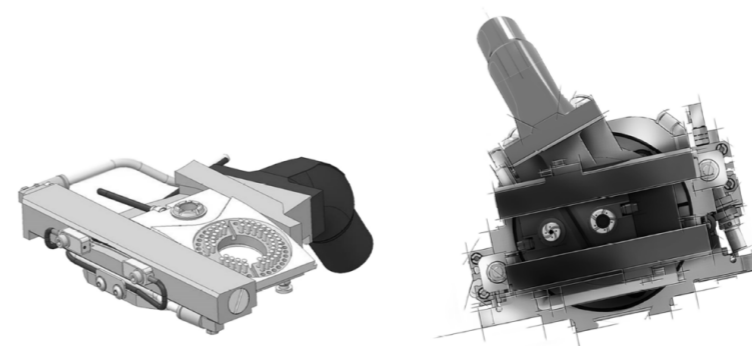
- New Posalux CNC 5000 – Powerful digital servo drives for rigid axis control
- Advanced concept of Z-axis unit – Increased stiffness, reduced mass
- New generation of multi-inserts pressure pad (IPF3) for drilling and routing
- Second measuring system for a perfect surface detection in controlled depth routing
- Standard and customized clamping systems
- CCD camera for registration
- Automation – individual loader with up to 22 levels

New concept of Z-axis



Reduced mass
Improved guiding ratio
Higher stiffness

IPF3 – Drilling and routing

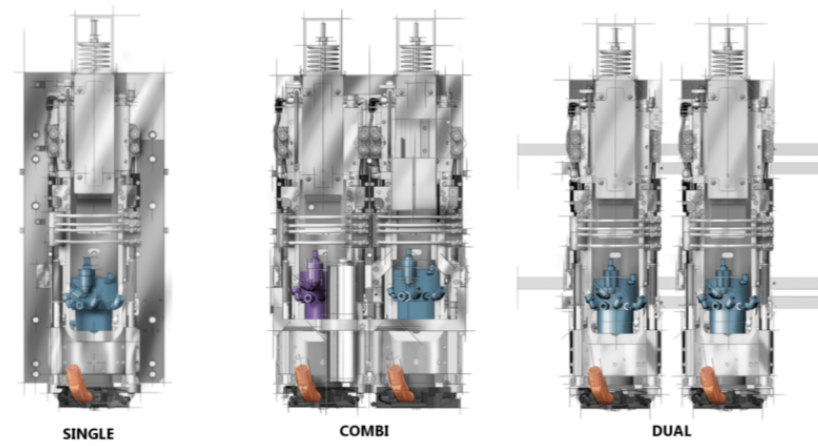


Interchangeable Pressure Foot with 3 positions

Configuration with routing brush and large drilling insert

Configuration with small and large drilling insert

Air gap function : air flow through inserts to avoid any scratching of entry foil



Machine versions

- **Single version** : one machining unit per station
- **Combi version** : Two different and alternating machining units per station
- **Dual version** : Two identical machining units per station

ULTRASPEED SIX

Mit dem Laden des Videos akzeptieren Sie die Datenschutzerklärung von YouTube.

[Mehr erfahren](#)

[Video laden](#)

YouTube immer entsperren

Related Machines



CONTACT US

Posalux

Solution provider for micro technology applications. Specialized in mechanical engineering, focusing on markets needing high-tech equipments.

By entering this site you agree to the our terms of use. [Privacy policy](#) – [Terms of use](#)

© 2021 Posalux SA | All rights reserved

[General Business Conditions](#)

[Customer Satisfaction Survey](#)

[Generals Terms and Conditions of Purchase](#)

Headquarters

POSALUX SA
18, F. Oppliger
P.O. Box 6075
CH-2500 Biel/Bienne 6
SWITZERLAND

Tel. +41(0)32 344 75 00

Fax. +41 (0)32 344 77 01

Sales: contact@posalux.com

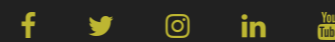
Service:
service@posalux.com

HR: career@posalux.com

Customer Service:

+41 (0)32 344 75 05

Follow Us!



SQS Certificate



ISO 9001 Certificate

IQ 9001 Certificate

© 2020 – 2022 by Posalux SA and [APROS Consulting & Service](#)

[Technical Support Request](#)

[Sitemap](#)

