

OPTICAL SUBSTRATES

LENSES

PRISMS

DIELECTRIC COATED OPTICS

METALLIC COATED OPTICS

FILTERS

OFF-AXIS MIRRORS

VARIABLE REFLECTIVITY MIRRORS

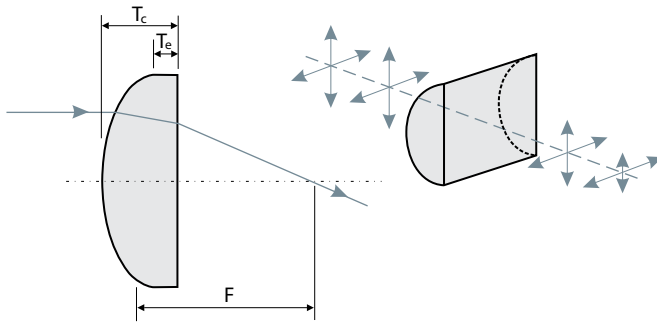
NON POLARIZING BEAMSPLITTER CUBES

POLARIZING OPTICS

ADAPTIVE OPTICAL SYSTEMS

COATINGS SECTION

14PCL Positive Cylindrical Lenses



Cylindrical lenses with positive focal length condense light in one dimension only. They are used to focus light to a thin line for effective harmonic generation in nonlinear crystals, in laser scanners, spectroscopy, dye lasers, acousto-optics or other applications. They are also irreplaceable for circularization of diode laser outputs, energy collection for linear detectors or for coupling to a slit input.

FEATURES

- Rectangular and Round shape are available
- Focus light in one dimension only
- Other dimensions are available in small and mass production quantities
- Various AR coatings are available for all these lenses. Please refer to the *Coatings Section*

STANDARD SPECIFICATIONS

Material	BK7, FS, UVFS, CaF ₂ , ZnSe
Diameter Tolerance	+0.0, -0.15 mm
Focal Length Tolerance	±3%
Centration	<3 arc minutes
Clear Aperture	>90%
Chamfer	0.25 mm @ 45°
Surface Figure	λ/4 @ 632.8 nm
Surface Quality	40-20 scratch & dig
Design Wavelength	632.8 nm
AR coatings	None. Please refer to the <i>Coatings Section</i>

BK7 POSITIVE CYLINDRICAL LENSES

Size, mm	Focal length F, mm	Ordering Code
10×10	+50	14PCL50-1-1
	+100	14PCL100-1-1
	+175	14PCL175-1-1
	+200	14PCL200-1-1
	+500	14PCL500-1-1
	+1000	14PCL1000-1-1
20×20	+50	14PCL50-2-1
	+100	14PCL100-2-1
	+175	14PCL175-2-1
	+200	14PCL200-2-1
	+500	14PCL500-2-1
	+1000	14PCL1000-2-1
25×25	+50	14PCL50-4-1
	+75	14PCL75-4-1
	+100	14PCL100-4-1
	+150	14PCL150-4-1
	+200	14PCL200-4-1
	+300	14PCL300-4-1
	+500	14PCL500-4-1
	+1000	14PCL1000-4-1
+1500	14PCL1500-4-1	
25×50	+50	14PCL50-5-1
	+75	14PCL75-5-1
	+100	14PCL100-5-1
	+150	14PCL150-5-1
	+200	14PCL200-5-1
	+300	14PCL300-5-1
	+500	14PCL500-5-1
	+1000	14PCL1000-5-1
+1500	14PCL1500-5-1	
30×30	+200	14PCL200-3-1
	+500	14PCL500-3-1
	+1000	14PCL1000-3-1
	+3000	14PCL3000-3-1

UVFS POSITIVE CYLINDRICAL LENSES

Size, mm	Focal length F, mm	Ordering Code
10×10	+50	14PCL50-1-2
	+100	14PCL100-1-2
	+175	14PCL175-1-2
	+200	14PCL200-1-2
	+500	14PCL500-1-2
	+1000	14PCL1000-1-2
20×20	+50	14PCL50-2-2
	+100	14PCL100-2-2
	+175	14PCL175-2-2
	+200	14PCL200-2-2
	+500	14PCL500-2-2
	+1000	14PCL1000-2-2
25×25	+50	14PCL50-4-2
	+75	14PCL75-4-2
	+100	14PCL100-4-2
	+150	14PCL150-4-2
	+200	14PCL200-4-2
	+300	14PCL300-4-2
	+500	14PCL500-4-2
	+1000	14PCL1000-4-2
+1500	14PCL1500-4-2	
25×50	+50	14PCL50-5-2
	+75	14PCL75-5-2
	+100	14PCL100-5-2
	+150	14PCL150-5-2
	+200	14PCL200-5-2
	+300	14PCL300-5-2
	+500	14PCL500-5-2
	+1000	14PCL1000-5-2
+1500	14PCL1500-5-2	
30×30	+200	14PCL200-3-2
	+500	14PCL500-3-2
	+1000	14PCL1000-3-2
	+3000	14PCL3000-3-2



e-mail: sales@standa.lt

http://www.standaphotonics.com



Phone: +370-5-2651474

Fax: +370-5-2651483



Svirigalios 4-39, LT-03222 Vilnius, LITHUANIA



CODE EXAMPLE FOR ORDERING

14PCL100-2-1

Focal length

- Dimensions
 1 – 10×10 mm
 2 – 20×20 mm
 3 – 30×30 mm
 4 – 25×25 mm
 5 – 25×50 mm

- Material
 1 – BK7
 2 – UVFS

RELATED PRODUCTS

- 4PH132 – Universal Plate Holder
- 5OM37-20 – Two Angular Fine Adjustment Mounts



OPTICAL SUBSTRATES

- LENSES
- PRISMS
- DIELECTRIC COATED OPTICS
- METALLIC COATED OPTICS
- FILTERS
- OFF-AXIS MIRRORS
- VARIABLE REFLECTIVITY MIRRORS
- NON POLARIZING BEAMSPLITTER CUBES
- POLARIZING OPTICS
- ADAPTIVE OPTICAL SYSTEMS
- COATINGS SECTION

e-mail: sales@standa.lt http://www.standaphotonics.com

Phone: +370-5-2651474

Fax: +370-5-2651483

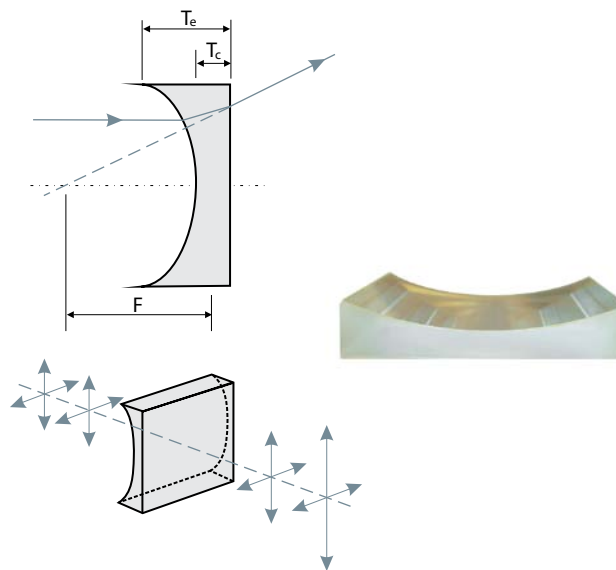
Svirigailios 4-39, LT-03222 Vilnius, LITHUANIA

14NCL Negative Cylindrical Lenses

Cylindrical lens with negative focal length expand light in one dimension only. They are used in laser scanners, spectroscopy, dye lasers, acousto-optics, optical processors or other applications. They are also irreplaceable for circularization of diode laser outputs. Lenses can be anti-reflection coated (please refer to the *Coatings Section*).

STANDARD SPECIFICATIONS

Material	BK7, FS, UVFS, CaF ₂ , ZnSe
Diameter Tolerance	+0.0, -0.15 mm
Thickness Tolerance	±1.0 mm
Focal Length Tolerance	±3%
Centration	<3 arc minutes
Clear Aperture	>90%
Chamfer	0.25 mm @ 45°
Surface Figure	λ/4 @ 632.8 nm
Surface Quality	40-20 scratch & dig
Design Wavelength	632.8 nm
AR coatings	None. Please refer to the <i>Coatings Section</i>



CODE EXAMPLE FOR ORDERING

14NCL100-2-1

Focal length

- Dimensions
 1 – 10×10 mm
 2 – 20×20 mm
 3 – 30×30 mm
 4 – 25×25 mm
 5 – 25×50 mm

- Material
 1 – BK7
 2 – UVFS

FEATURES

- Rectangular and Round shape are available
- Diverges light in one dimension only
- Other dimensions are available in small and mass production quantities
- Various AR coatings are available for all these lenses. Please refer to the *Coatings Section*

