

## Product description

XH-OSW-MXN Matrix optical switch module is a kind of optical control equipment, which can be interlinked between multi-group input port and multi-group output port, it has the advantages of small size, high switching speed, high reliability and good environmental performance. It is mainly used in optical communication for cross-connection of backbone optical nodes and multi-dimensional on-line monitoring.

## Product characteristics

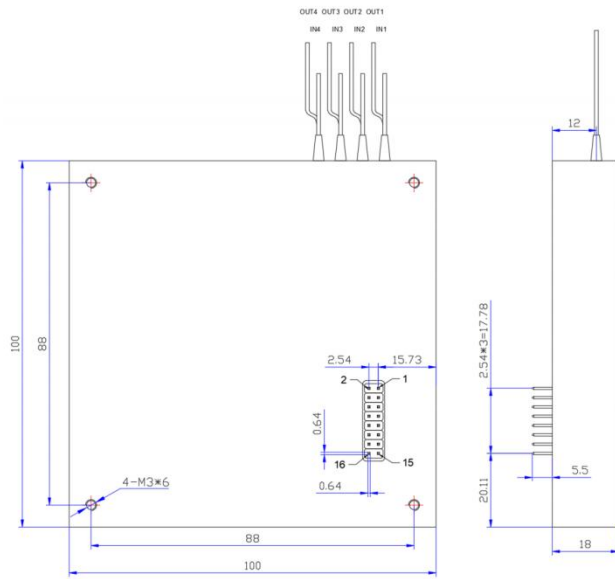
- Small insertion loss
- Fast switching
- Support for semi-crossover/full-crossover customization
- Support Input/output port power monitoring customization
- High stability and high reliability



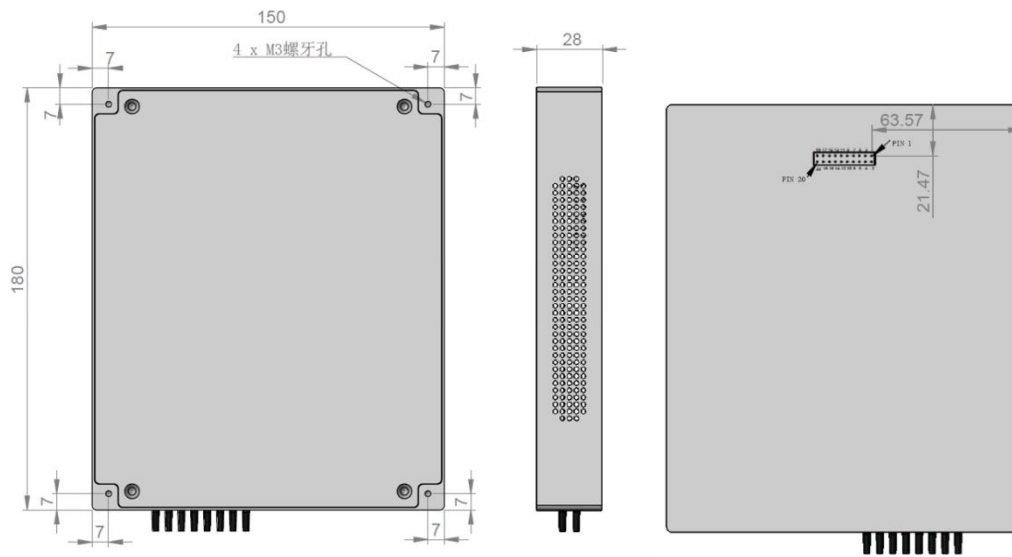
## Performance parameters

Parameter	Unit	Technical specifications
Working wavelength	nm	1260~1650
Insertion loss (1)	4*4	Typ≤1.6dB, Max≤2.1dB
	8*8	Typ≤2.0dB, Max≤2.4dB
	16*16	Typ≤2.5dB, Max≤3.0dB
	32*32	Typ≤3.0dB, Max≤3.5dB
Repeatability	dB	≤ 0.05 dB
Return loss	dB	> 50dB
Crosstalk	dB	> 50dB
Wavelength dependent	dB	≤ 0.25
Polarization-dependent	dB	≤ 0.1
Switch Time (any channel)	ms	< 30ms
Working life	Cycles	> 10 <sup>7</sup>
Luminous Power	mW	≤500mW
Maximum channel	CH	M≤64, N≤64
Power supply	V	5.0
Power consumption	W	< 10W
Operating temperature	°C	-5~55
Storage temperature	°C	-20~70
Relative humidity	%	5 ~ 95
Size (2)	mm	4*4: 100*100*18
		8*8: 180*150*28
Remarks: (1) test in working temperature range and without connector. (2) support dimension customization other: support communication mode customization.		

Structural dimensions



4\*4 Module



8\*8 Module

### CARD/fixed stand optical switch equipment



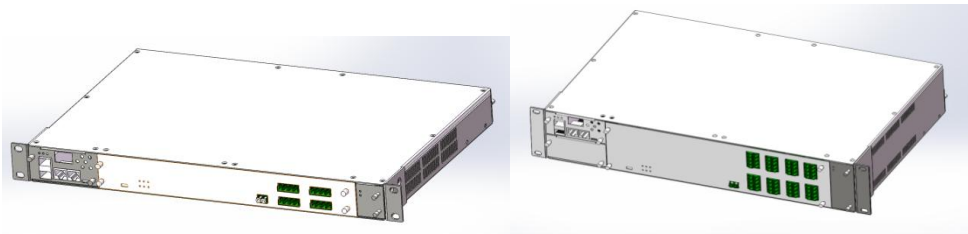
#### Product description

We support a variety of rack-mounted optical switch equipment customization, including multi-channel (1 \* 2/2 \* 2, etc.) , multi-channel (1 \* n) , M \* n cross-matrix equipment. High integration, high flexibility, support screen operation, WEB management.

#### Product characteristics

- Multiple types of optical switches are supported
- Card Type/whole frame 1/2/4U custom
- Visual Operations Management
- Support WEB/SNMP

#### Structural dimensions



**1U** 482.6W×300D×44.5H mm

**2U** 482.6W×300D×86H mm