

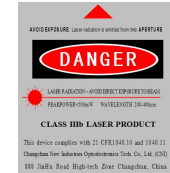


MPL-F series

LD PUMPED ALL-SOLID-STATE Q-SWITCHED LASER

All solid state UV laser is made features of ultra compact, cost-effectiveness and easy operating, which is widely used in UV curing, micro-electronics, CD carving, laser medical treatment, scientific experiment, etc.

All solid state infrared laser is made features of ultra compact, long lifetime, cost-effectiveness and easy operating, which is widely used in scientific experiment, laser fluorescence, etc.



SPECIFICATIONS

Wavelength (nm)		261±1	266±1	349±1
Operating mode		Frequency conversion of Q-switched pulsed laser		
Max average power (mW)*		1~10		1~30
Single pulse energy (μJ)		0.1~4	0.1~3	0.1~10
Pulse duration (ns)		~4		
Peak power (kW)		0.25~1	0.25~0.75	0.25~0.25
Rep. rate (kHz)	INT FIXED (One internal fixed rep.rate)	1kHz	1k-4kHz (optional)	1kHz
	EXT TRIG (External triggered)	1kHz	1k-4kHz	1kHz
	QCW	Between 2k-3kHz	Between 5k-7kHz	Between 2k-3kHz
Ave power stability (over 4 hours)		<5%, <3%		
Transverse mode		Near TEM ₀₀		
M ² factor		<2		
Beam diameter at the aperture (mm)		Elliptical (4:1), Beam spot ~1mm		~1.2
Beam divergence, full angle (mrad)		/		<1.5
Polarization ratio		>50:1, Horizontal (Vertical Optional)		
Warm-up time (minutes)		<5		
Beam height from base plate (mm)		45		
Operating temperature (°C)		10~35		
Power supply (90-264VAC)		PSU-H-LED/PSU-H-FDA/PSU-H-OEM		
Warranty		1 year		
Remarks		Please Note: because of the Walk-off effect of Nonlinear crystals, the beam quality of UV laser is not so good as that of 1064/523nm laser.		/

Average power (mW)= Single pulse energy (μJ) Rep. rate(kHz)

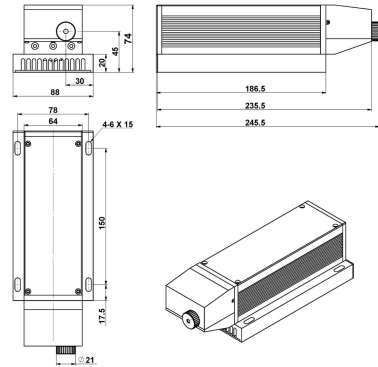


SPECIFICATIONS

Wavelength (nm)	351±1	355±1	1030±2
Operating mode	Frequency conversion of Q-switched pulsed laser		Q-switched pulsed laser
Max average power (mW)*	1~10	1~100	1~300
Single pulse energy (μJ)	0.1~4	0.1~15	0.1~150
Pulse duration (ns)	~4	~5	~10
Peak power (kW)	0.25~1	0.2~3	0.1~15
Rep. rate (kHz)	INT FIXED (One internal fixed rep.rate)	1kHz	1k-4kHz(optional)
	EXT TRIG (External triggered)	1kHz	1k-4kHz
	QCW	Between 2k-3kHz.	Between 5k-7kHz.
Ave power stability (over 4 hours)	<10%, <5%		
Transverse mode	Near TEM ₀₀		
M ² factor	<2		
Beam diameter at the aperture (mm)	~1.2		
Beam divergence, full angle (mrad)	<1.5		
Polarization ratio	>50:1, Horizontal (Vertical Optional)	>100:1, Horizontal (Vertical Optional)	
Warm-up time (minutes)	<5		
Beam height from base plate (mm)	45		
Operating temperature (°C)	10~35		
Power supply (90-264VAC)	PSU-H-LED/PSU-H-FDA/PSU-H-OEM		
Expected lifetime (hours)	/		10000
Warranty	1 year		
Remarks	/		

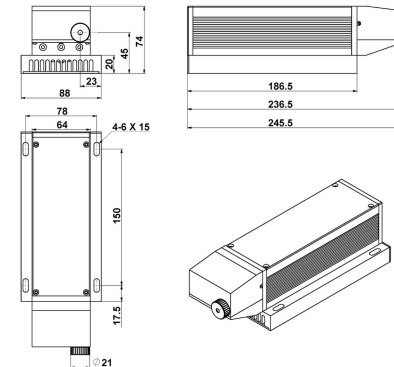
Average power (mW)= Single pulse energy (μJ) Rep. rate(kHz)

LASER HEAD (MPL-F-261)



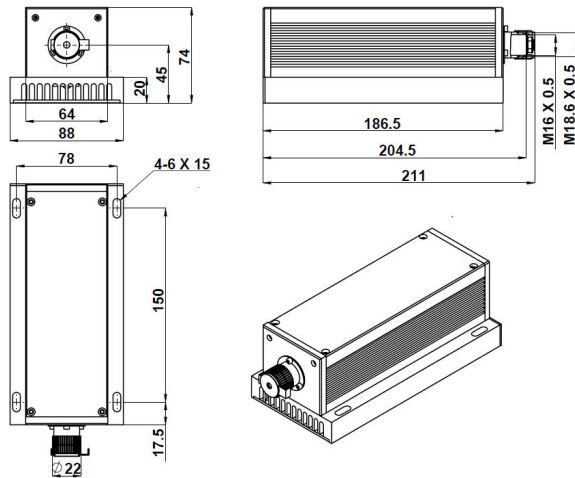
245.5(L)×88(W)×74(H) mm³, 1.8 kg

LASER HEAD (MPL-F-266)



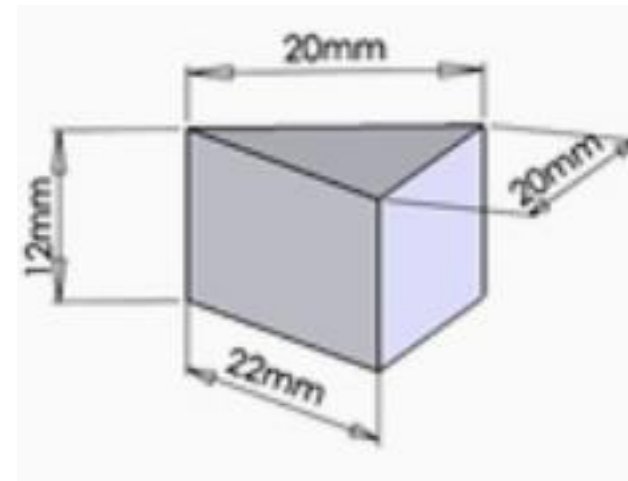
245.5(L)×88(W)×74(H) mm³, 1.8 kg

**LASER HEAD
(MPL-F-349/351/355/1030)**

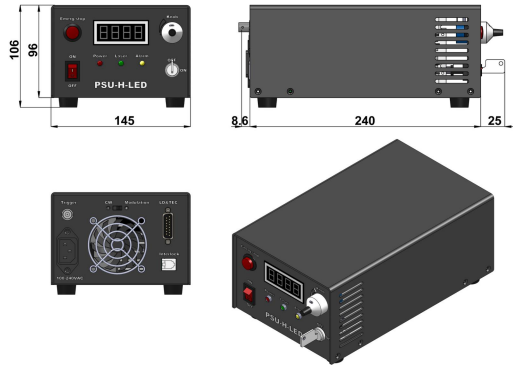


211 (L)×88(W)×74(H) mm³, 1.6 kg

UV prism

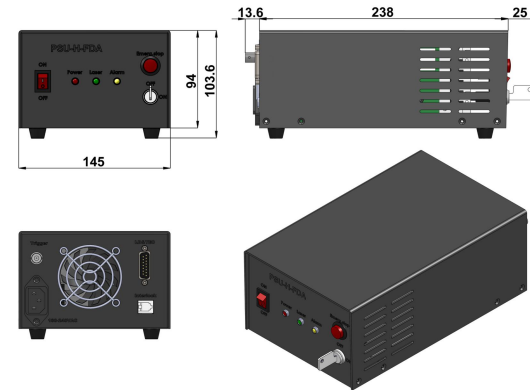


POWER SUPPLY (PSU-H-LED)



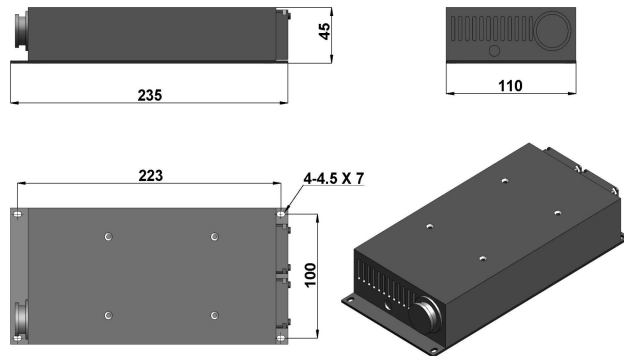
273.6 (L) × 145(W) × 106 (H) mm³, 2.3 kg

POWER SUPPLY (PSU-H-FDA)



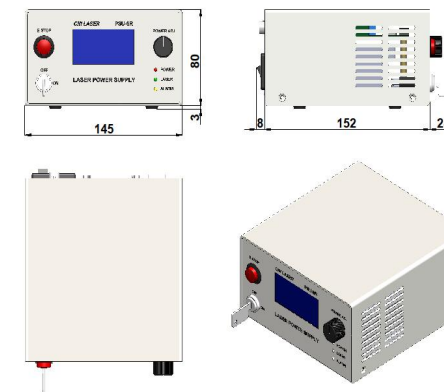
276.6(L) × 145(W) × 103.6(H) mm³, 2.3 kg

POWER SUPPLY (PSU-H-OEM)



235(L) × 110(W) × 45(H) mm³, 1.1kg

POWER SUPPLY (PSU-SR)



188(L) × 145(W) × 83(H) mm³, 1.2kg