

Model Name

STI-110GE

ST: Saga Telecom

I: Industrial grade

1: 1 optical port

1: 1 Ethernet port

0: 0 PoE port

G: Gigabit based

E: Ethernet(not all-fiber type)

It is advised to read specific product description for more information.



Key Features

- 1*10/100/1000Base-T RJ45 port, 1*100/1000Base-X fiber port(SFP/SC/ST/FC optional)
- DC 12~58V input, redundant power supply with polarity reverse/over-voltage protection
- Powerful Dip switch function(on the top panel)
 1. LFP; 2. Flow control; 3. Broadcast storm restrain; 4. fiber port 100/1000M selection
- Support 10K Bytes Jumbo frame
- Support 1M large buffer
- Support 4KV surge protection and ESD: Air-15kV, Contact-8kV Protection
- IP40 fan-less and Din-rail design with compact size(85*85*30mm)
- Operation temperature: -40 °C ~+75°C

With above features, it is an ideal solution for IP Surveillance, wind, electricity, assembly automation, subway PIS, power SCADA, sewage treatment, metallurgy, intelligent transportation, rail transportation, military and other industries.

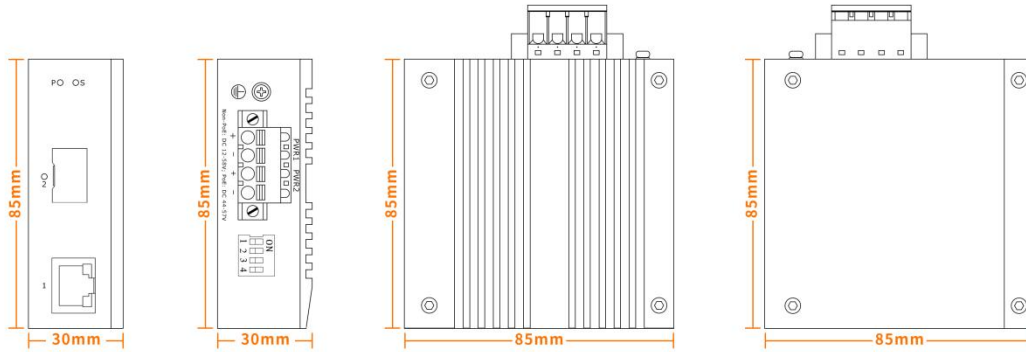
Specification

Product Name	2 port 10/100/1000Mbps Industrial Ethernet Switch
Port	1*10/100/1000M Ethernet + 1 port 100/1000M Fiber
Network Medium	10BASE-T: Cat 3, 4, 5 or above UTP(≤100 meter) 100BASE-TX: Cat 5 or above UTP (≤100 meter) 1000BASE-TX: Cat5 or above UTP (≤100 meter)
Network protocol	IEEE 802.3 10Base-T Ethernet IEEE 802.3u Fast Ethernet IEEE 802.3ab Gigabit Ethernet IEEE 802.3x Full-Duplex Flow Control IEEE 802.3az Energy Efficient Ethernet
Fiber Option	SFP Pluggable Module(LC) or 1*9 Fixed Module(SC/ST/FC) SM: 1310nm/1550nm, 20Km; 1490nm/1550nm, 40~100Km MM: 1310nm, 2Km; 850nm, 500-meter
Switching Capacity	2Gbps
Throughput	5.952Mpps
Packet Buffer	1M
MAC Address	8K
VLAN	4K
Jumbo Frame	10Kbytes
Transfer Mode	Store and forward, forwarding delay<5us
MDX/MIDX	Support
Watchdog	Support
Network Topology	Star topology Bus topology Tree Topology
MTBF	200,000 hours
Power Voltage	Input Voltage: DC 12-58VDC Removable 4 PIN Industrial Terminal Block
Input current	0.2A Max
Total power consumption	Full loading ≤2W
Reverse polarity protection	Support
Over-voltage protection	Support
Industry Standard	Surge protection of power: IEC 61000-4-5 Level 3 (4KV/2KV) (8/20us) Surge protection of Ethernet ports: IEC 61000-4-5 Level 3 (4KV/2KV) (10/700us) DIP: IEC 61000-4-11 Level 3 (10V) ESD: IEC 61000-4-2 Level 4 (8K/15K) Shock: IEC 60068-2-27 Free fall: IEC 60068-2-32 Vibration: IEC 60068-2-6
Protection Level	IP40
Installation Method	Din Mounted
Security Certificate	CE/FCC/RoHS

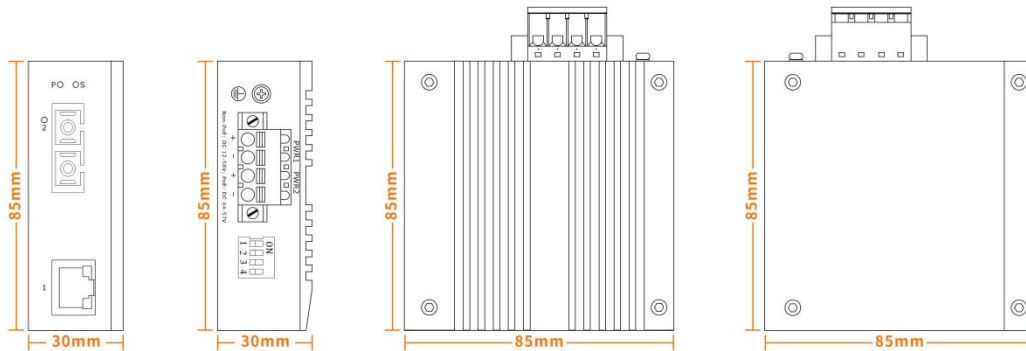
Working Environment	Working Temperature: -40°C~75°C Storage Temperature: -40°C~85°C Relative Humidity: 5%~95%, non-condensing
DIP	1. LFP 2. Flow control 3. Broadcast storm restrain 4. Fiber port 100/1000M selection
LED Indicators	PWR(Power indicator), Green Color On: power status is normal Off: power off or power connection failure S(System indicator), Red Color On: the chip read/write is abnormal Off: the chip is normally operating Ethernet Port 1. Green Indicator On: port link up Off: port link down Blinking: data is in normal transmission 2. Yellow Indicator On: port speed is 1000M Off: port speed is 10/100M Fiber port, Green Color On: port link up Off: port link down Blinking: data is in normal transmission

Mechanical Drawing

SFP Plugable Module



1*9 Fixed Module



Packing list

- 1pc switch
- 1pc user manual

Shipping box information(**Below information is approximately accurate**)

Product size: 85*85*30mm

Inner box size: 153*125*44mm

Product weight: 0.3Kg

Packing weight: 0.4Kg

Master box size: 385*385*325mm

Packing quantity: 48Pcs

Packing weight: 20Kg

Product Picture



FAQ

● Leadtime

1. Production time is usually 5~7 working days for standard(non-customized) models (no more than 50pcs).
2. Shipping time is usually 4~7 days by air
3. In total, it takes 10~15 days for a client to receive the order.

● Shipment

1. We will send the goods by air(DHL, UPS or FEDEX) or by sea(for bulk order)
2. It is fine to ship purchased items via customer's shipping account or forwarder.

● MOQ

1. 1 Pc/Pair(It is NOT free, Saga Telecom do NOT do FREE SAMPLES)
2. It is fine to have sample testing before bulk order, but 1 Pc/Pair is ONLY about sample testing.
3. When testing proves fine, MOQ is 20pcs(discussion is required if it is about smaller quantity).

● Warranty

1. 1 year for commercial models(STC series) and 3 years for industrial models(STI series)
2. Please kindly refer to the "Warranty Policy" for more information.
3. Technical assistance is always available

● Payment

1. T/T transfer and PayPal, FULL AMOUNT BEFORE SHIPMENT.
2. It is fine to pay 50% first and another 50% before shipment for bulk order.
3. It is fine to be paid via customer's forwarder(this is usually about RMB payment).

● Transaction cost

1. It is standard charge 25usd for EACH T/T transfer whatever the invoice value is.
2. It is 5usd for every 100usd to PayPal a/c, this ratio is standard charge by PayPal

● RMA

1. Please contact us ASAP once there is any problem(package or usage)with the supplied products.
2. For every 100pcs, there will be 2 extra free units(2% RMA) against immediate warranty coverage.
3. This rule stands for all Saga Telecom models and even there is not an after-sales issue.

(1) If it is about missing/faulty parts in the packing box.

Please simply use the extra units for the replacement and let us know this problem(we will improve).

(2) If it is about usage problem.

Saga Telecom will provide technical support and send new units when necessary.

● OEM

1. Supported, but discussion is required if it is about complex requirements.
2. Below are usual OEM services available.
 - (1) Show client's logo/model on the device/label/management interface...
 - (2) Use client's packing box
 - (3) Design client's product PVC sticker
 - (4) Customize some parts of a model like rear panel/power input terminal block...

Please know that there might be extra cost for OEM services.

Ordering Information

Industrial Ethernet Switch(Non-POE&Unmanaged Series), DC12V~DC58V, Din Mounted	
Model	Description
STI-050FE	5*10/100M RJ45
STI-080FE	8*10/100M RJ45
STI-110FE	1*10/100M Fiber+1*10/100M RJ45
STI-120FE	1*10/100M Fiber+2*10/100M RJ45
STI-140FE	1*10/100M Fiber+4*10/100M RJ45
STI-180FE	1*10/100M Fiber+8*10/100M RJ45
STI-220FE	2*10/100M Fiber+2*10/100M RJ45
STI-240FE	2*10/100M Fiber+4*10/100M RJ45
STI-260FE	2*10/100M Fiber+6*10/100M RJ45
STI-280FE	2*10/100M Fiber+8*10/100M RJ45
STI-050GE	5*10/100/1000M RJ45
STI-080GE	8*10/100/1000M RJ45
STI-0160GE	16*10/100/1000M RJ45
STI-110GE	1*10/100/1000M Fiber+1*10/100/1000M RJ45
STI-120GE	1*10/100/1000M Fiber+2*10/100/1000M RJ45
STI-140GE	1*10/100/1000M Fiber+4*10/100/1000M RJ45
STI-150GE	1*10/100/1000M Fiber+5*10/100/1000M RJ45
STI-180GE	1*10/100/1000M Fiber+5*10/100/1000M RJ45
STI-220GE	2*10/100/1000M Fiber+2*10/100/1000M RJ45
STI-240GE	2*10/100/1000M Fiber+4*10/100/1000M RJ45
STI-280GE	2*10/100/1000M Fiber+8*10/100/1000M RJ45
STI-2160GE	2*10/100/1000M Fiber+16*10/100/1000M RJ45
STI-480GE	4*10/100/1000M Fiber+8*10/100/1000M RJ45
STI-880GE	8*10/100/1000M Fiber+8*10/100/1000M RJ45

Industrial Din Power Supply(-40 °C ~+75°C)	
STI-PA-20W-12V1.67A	90-264VAC Input, 12VDC Output, 1.67A, 20W, Plastic Case, Din Mounted
STI-PA-20W-24V0.83A	90-264VAC Input, 24VDC Output, 0.83A, 20W, Plastic Case, Din Mounted

Industrial SFP Transceiver(-40 °C ~+75°C)	
STI-SFP1G-MMD0.5-850LC	1G, Multimode, Dual Fiber, 0.5KM, 850nm, LC port
STI-SFP1G-MMD2-1310LC	1G, Multimode, Dual Fiber, 2KM, 1310nm, LC port
STI-SFP1G-SMD20-1310LC	1G, Singlemode, Dual Fiber, 20KM, 1310nm, LC port
STI-SFP1G-SMS20-1310/1550LC	1G, Singlemode, Single Fiber, 20KM, 1310/1550nm, LC port

Remarks

1. SFP Transceiver&Power Supply are **NOT** included in the packing box, **need to purchase individually**.
2. Listed SFP transceiver and power supply are **COMMONLY** used for this device.

Please talk with us for more specifications.

After-sales support

Warranty comes in effect from the date of delivery.

If something is wrong with the package or usage, please let us know asap.

Case 1, package problem

Any faulty/missing parts in the packing box, Saga telecom will help do the replacement or refund.

Case 2, usage problem

The standard and most effective procedures(get a feedback form from us) are as below

1, describe what happened, examples as below

- When this problem occurred
- What you did to adjust it like restart the device or change new accessories
- How you use this device like outdoor use for connecting some IP cameras

With this information, Saga telecom could quickly know what is going on and do trouble-shooting

2, provide as many actual photos/video as possible

Wrong connection or improper use may occur.

In this case, photos and videos are helpful and efficient.

3, prepare necessary and relevant accessories such as SFP module/network cable/patch-cord...

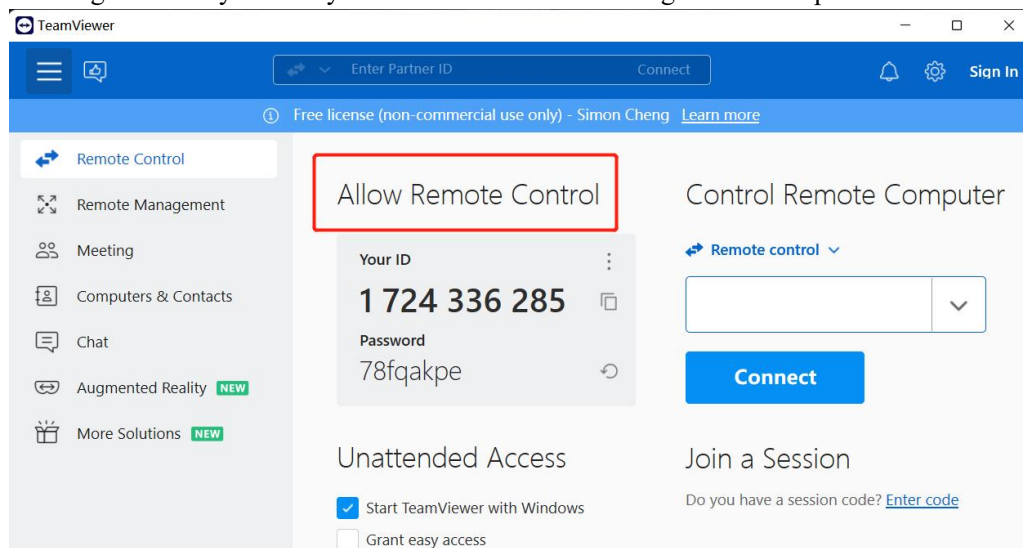
An example is, in a linear network connection, if one SFP module fails, the whole system might have a transmission problem.

The solution would be as simple as replacing a new workable SFP module.

With in-hand accessories, sometimes it is easy to fix the problem.

4, get ready for online meeting

Saga telecom might remotely control your PC to do trouble-shooting with the help of Teamviewer.



For more information, please talk with us or visit www.sagatelecom.com.cn