



LXQ-LP SERIES

10W & 20W FIBER LASER MARKING SYSTEMS

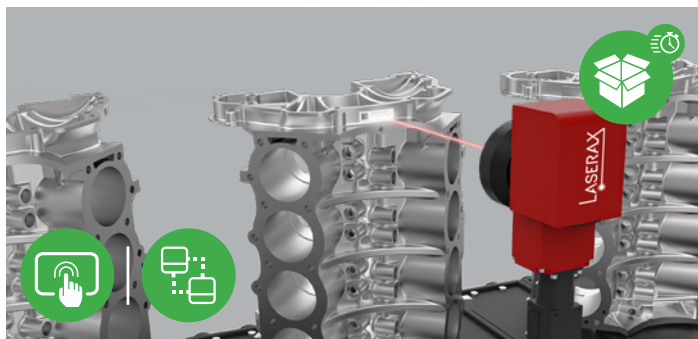
With its simplicity of design and low output power, the LXQ-LP is our most affordable fiber laser marker. It is specifically designed to be easily integrated in production lines or manually operated marking stations where cycle time is not a constraint.

The LXQ-LP also has marking capabilities that prevent on-site mechanical adjustments. Coupled with its high reliability, it is the perfect tool to minimize your investment without compromising quality.



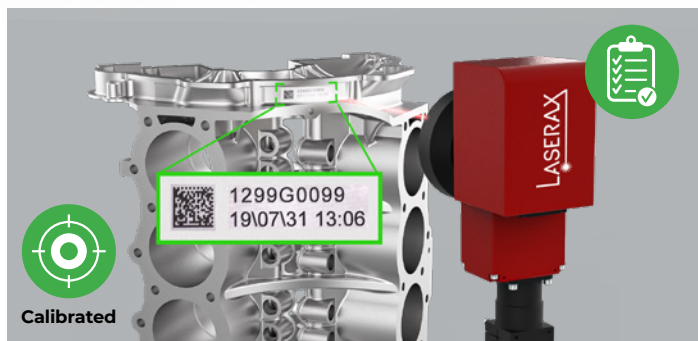
LOW OPERATIONAL COSTS

Running on electricity alone, our fiber laser markers are extremely energy efficient. They're also practically maintenance free. Built with components that have a proven reliability record, they show no signs of fatigue when it comes to marking quality and speed, even when operating 24/7 for more than 10 years.



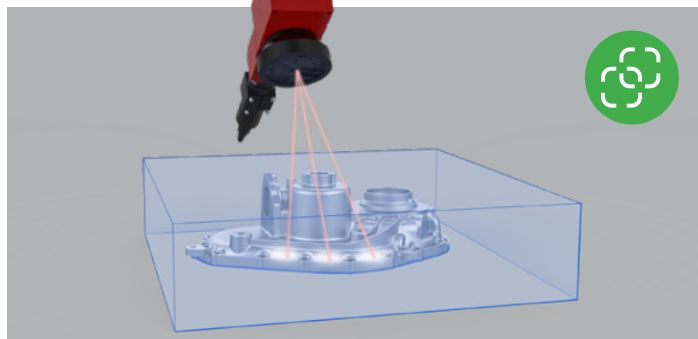
EASY INSTALLATION

Easy to integrate, our low-power laser systems have a lightweight laser head with a small footprint. The accompanying modules are fastened to a standard 19-inch rack frame so you can install the whole setup without complications.



PRECONFIGURED FOR QUICK START



The laser marker and its optional peripherals are delivered preconfigured, pre-calibrated and pre-tested with the best configuration for each application. Controlled using PROFINET or Ethernet/IP, the modules include a web-based HMI software to rapidly take control of the laser as well as quick start programs for PLCs.



NO MECHANICAL ADJUSTMENTS

With much better marking capabilities than other lasers on the market, the LXQ-LP prevents complex mechanical designs so you can reduce integration costs. Our laser configuration offers the greatest flexibility in terms of marking field and positioning tolerance.

LASER SPECIFICATIONS

LXQ-LP	
Nominal Laser Output Power	10 W, 20 W
Nominal Pulse Repetition Rate	10 kHz, 20kHz
Power Consumption	240W, 250W
Laser Type	Solid-state ytterbium-doped fiber
Supply Voltage	24 VDC
Pulse Energy	Up to 1 mJ
Pulse Width	100 ns for 3 m fiber cable 150 ns for 5 m fiber cable
Wavelength	1064 nm
Beam Quality	<2
Laser Safety Class	Class 4 laser product: CSA-E60825-1:15, 21 CFR 1040.10, IEC 60825-1
Cooling	Air cooling
Fiber Cable Length	3 m 5 m
Fiber Cable Minimum Bending Radius	Static: 80 mm Dynamic: 150 mm
Fiber Laser Source MTBF	100,000 hours
Barcode Validation (optional)	Cognex DataMan 260 Series Cognex DataMan 370 Series
Remote Access Security Protocol	OpenVPN (encrypted channel – OpenSSL)
HMI Software	Web based, Allen-Bradley, Siemens
I/O	Terminal Block I/O, M12-5 pins, Encoder Signal
Communications	Ethernet/IP, PROFINET, RS - 232, OPC/UA, USB
Dimensions (W x H x D)	Source: 4U rackmount, 483 x 177 x 500 mm Control: 3U rackmount, 483 x 133 x 500 mm 2D Head: 117 x 149 x 500 mm
Weight	Laser: 17 kg Control: 9 kg 2D Head: 4.8 kg
Environmental Conditions	Temperature: 10 °C to 35 °C Humidity: 10% to 90% (without condensation)
Approvals	 

LENS SPECIFICATIONS

Focal Length	254 mm	420 mm
Max Scanning Speed	18 m/s	30 m/s
Nominal Spot Size	50 µm	80 µm
Nominal Marking Distance	315 mm	527 mm
Nominal Marking Field Size	175 x 175 mm	300 x 300 mm
Depth of Focus	3 mm	6 mm



INDUSTRIAL LASER SOLUTIONS
VISIT LASERAX.COM

LASERAX HEADQUARTERS

101-2811 Watt Ave
Quebec, QC G1X 4S8
Canada
+1 418 780-7324

LASERAX USA

2401 Parkman Road
Warren OH 44485
United States
+1 412 301-9957

LASERAX GMBH

Fehrenheidstraße 1
28359 Bremen
Germany
+49 421 2208-121