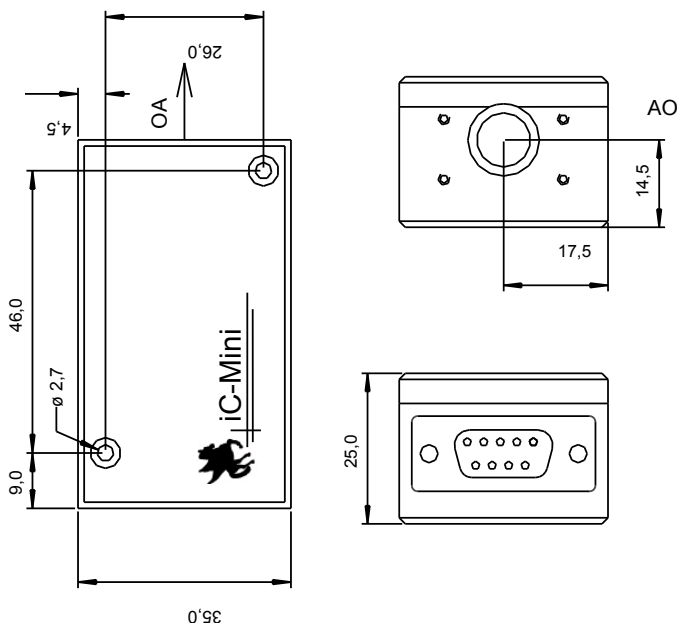
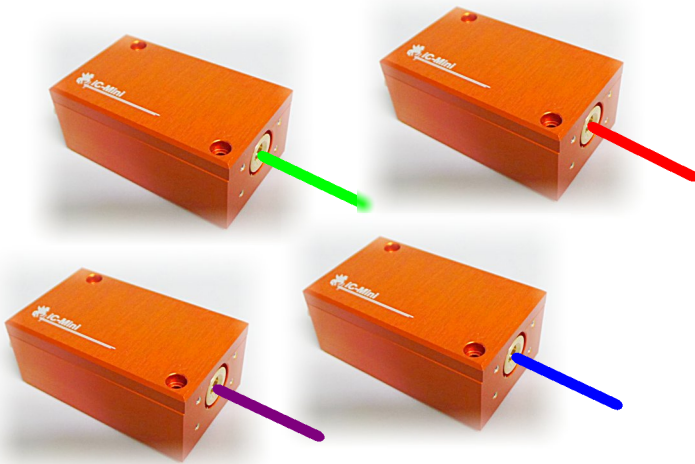


iC-Mini series

Compact diode module

The PEGASUS iC-Mini is a series of temperature stabilized diode laser modules, with good power and wavelength stability. The very compact housing of 60 x 35 x 25 mm³ can be supplied with medium power singlemode or multimode UV, VIS or IR laser diodes. The rectangular baseplate ensures a much better heat dissipation than often used cylindrical housings to receive a better life time performance.

Additional to standard version with collimated, elliptical beam, the modules are optional available with line generating optic in order to provide a versatile solution for integration in several industrial systems, as flow cytometry, particle measurement, machine vision or microscope illumination.



Violet, blue, green, red, IR

Specifications

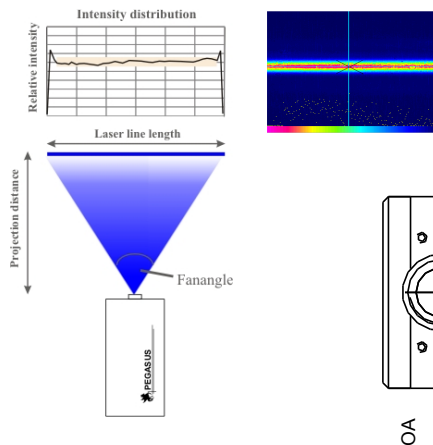
<i>Singlemode LD</i>	<i>Multimode LD</i>
Available wavelengths (nm) (others on request)	
405, 445, 450, 488, 515 635, 638, 640 650, 660 785, 808	405, 450 462 515, 520 638, 520 650, 660, 670 785, 808
Optical power	
up to 200 mW (depending on LD)	up to 1000 mW (depending on LD)
Beam shape (exact size and ellipticity depends on model)	
elliptical	rectangular
Divergence (full angle)	
< 1.0 mrad	< 1.5 mrad
Power stability	
	< +/- 1 % (over 1 h)
Polarisation ratio	
	>50:1 - >200:1
Temperature stabilization	
	Internal TEC
Height of optical axis	
	14.5 mm
Operation current	
	< 2 A (depends on model)
Modulation	
	Analog
Laser head dimension	
	60 x 35 x 25 mm ³
Operation temperature	
	10 - 35°C
Laser class (EN 60825-1)	
	3B or 4
Option	
	Line generating optics

Notes: Laser baseplate must be attached to external heatsink. Specifications are given for T = 20°C constant environment.

iC-Mini series

Compact diode module

Option: Line optics



With the optional high quality Powell line generator the laser shows a homogeneous intensity distribution along the line. Standard fan angles are 30°, 45°, 60° or 90°. Other angles are available on request.

