



English (/index.html) (/http://www.huawei-

PRODUCTS

cutting-SUPPORT

APPLICATION

NEWS

CNC Laser Cutting Machine (/Cnc-Laser-Cutting-Machine-13.html)

CNC Plasma Gas Cutting Machine (/Cnc-Plasma-Gas-Cutting-Machine-8.html)

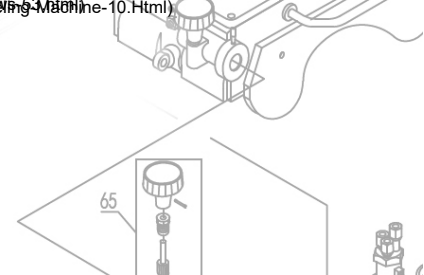
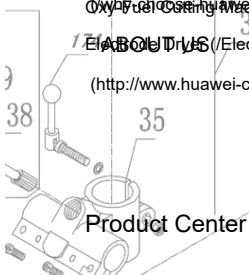
Oxy-fuel Cutting Machine (/Oxy-fuel-Cutting-Machine-7.html)

welding-Carriage (/welding-Carriage-9.html)

Electro-Dryer (/Electro-Dryer-11.html)

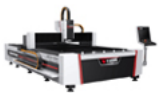
Electrode (/12-12.html)

CONTACT US (/http://www.huawei-cutting.com/our-company-26.html) (/contact-us-6.html)



Why choose Huawei (/why-choose-huawei-31.html)

Custom-made machine (/customize-32.html)



(/cnc-laser-cutting-machine-13.html)



(/cnc-plasma-gas-cutting-machine-8.html)



(/oxy-fuel-cutting-machine-7.html)



(/welding-carriage-9.html)



(/beveling-machine-10.html)



(/electrode-dryer-11.html)



(/12-12.html)



Portable CNC Cutter (/portable-cnc-cutting-machine-46.html)



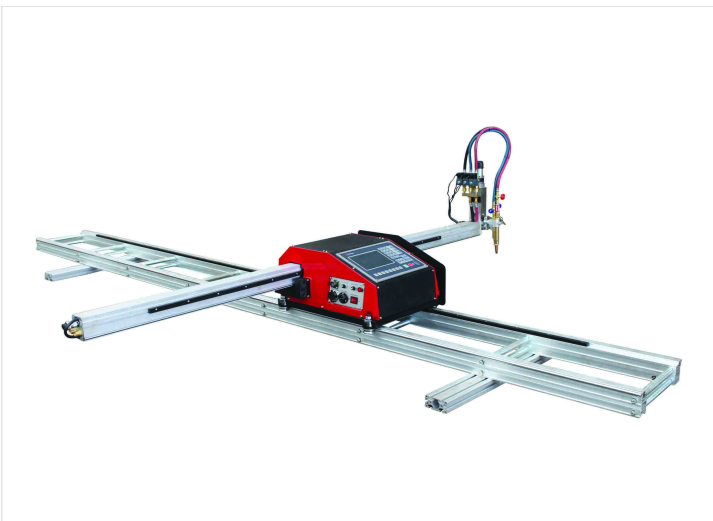
Gantry CNC Cutter (/gantry-cnc-cutting-machine-47.html)



Table CNC Cutter (/table-cnc-cutting-machine-48.html)



Pipe CNC Cutter (/pipe-cnc-cutting-machine-49.html)



HNC-1500W portable mini CNC plasma and flame cutting machine cutter

The cutting machine is modern cutting equipment with digital program control. In addition to automated cutting, it has high cutting precision, high material utilization and high production efficiency. Along with the mechanical electronic technology and computer technology progress, the CNC cutting machine with its good man-machine dialogue operation interface, powerful auxiliary support function and relative low equipment investment, is being valued by more and more enterprises and more widely used in the production.

It can be widely used in automobile, shipbuilding, petrochemical, boiler and pressure vessel, engineering machinery, light industrial machinery and other industries. It is suitable for cutting metal sheets, such as the carbon steel (flame cutting), stainless steel, aluminum, copper (plasma). It particularly applies to a single piece with a flat surface and the mass production.



Send an enquiry



VIDEO

HNC-1500W Crossbow Portable CNC Plasma Flame Gas Cutting M...



HNC-1500W How to use Crossbow portable CNC plasma and oxy-fu...



DESCRIPTION

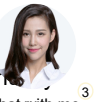
1.This machine has CNC function like the large gantry CNC cutting machine; it can cut any complex plane figure, applying to oxygen, gas flame cutting and plasma cutting. Like the semi-automatic cutting carriage, this machine is convenient and flexible, free to move, not occupying the fixed site.

2.This machine programming is simple. It can manually program simple graphics, and automatically program arbitrary complex graphics through the complimentary programming software. The software uses an interactive dialogue; graphics data is automatically converted, without manual writing code. The AutoCAD parts drawing is stored directly as a DXF file, and arranged through the programming software, then directly generates the required G code files by the appropriate programming parameters.

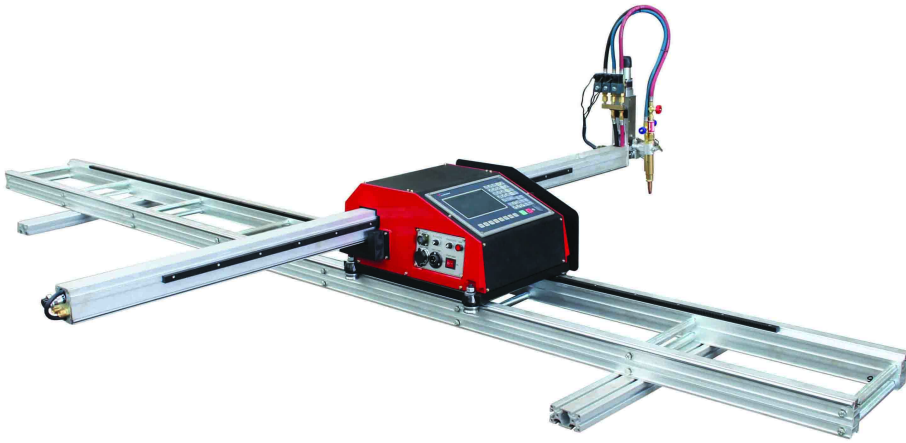
3.Transfer and storage of files is Convenient and flexible: support USB interface. The user could output the required cutting file to the U disk, and then plug the U disk into the USB interface of cutting machine; so file transfer can be realized.

4. The operation is simple and convenient: This machine could manually cut like a semi-automatic carriage, and also automatically cut like a large CNC cutter.

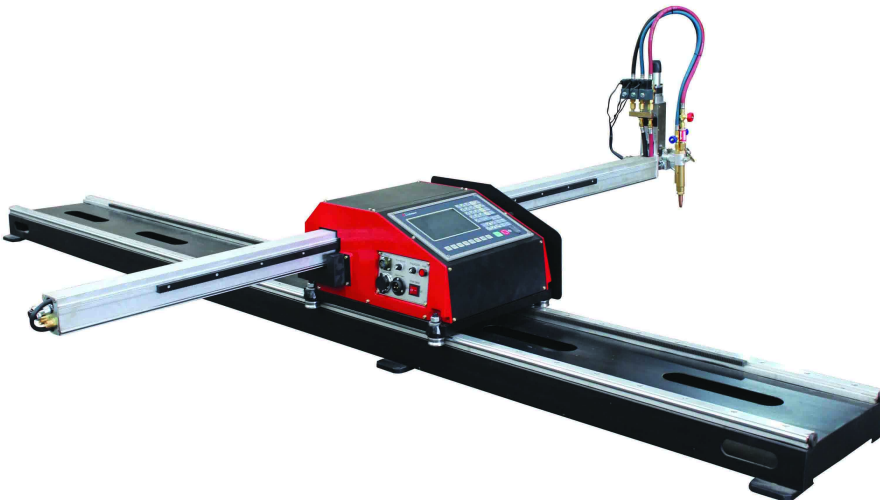
5. With the 5.7-inch high-resolution dot matrix LCD display, full Chinese menu, Chinese character prompt, static and dynamic processing graphics display, it is easy and intuitive



3



HNC-1500W-Q this series use the high cost-effective light track good option for low budget customer.



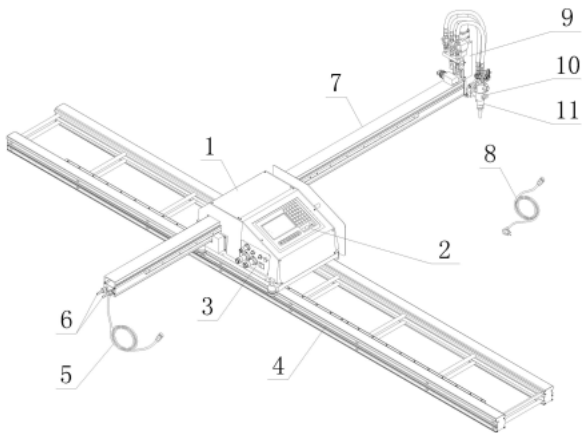
HNC-1500W this series use the heavy-duty track working more stable.



Chat with me ³



Torch lifting



- | | |
|-------------------------------------|-----------------------------------|
| 1. Main engine | 7. Transverse guide rail assembly |
| 2. Control system | 8. Power cord |
| 3. Operation panel assembly | 9. Lifting device assembly |
| 4. Longitudinal guide rail assembly | 10. Torch gripper assembly |
| 5. Lifting motor line | 11. Torch assembly |
| 6. Gas supply interface | |





HUAWEI WellCut



HYPERTHERM



VICTOR Thermal-Dynamics

Optional plasma power source

TECHNICAL SPECIFICATION

Model	Cutting range mm	Supply Voltage V/Hz	Cutting torch Number of groups	Cutting speed mm/min	Maximum no-load speed mm/min	Overall dimensions LxWxH(M)	Weight kg
HNC-1500W-Q-2	1500x2000	AC220V-50HZ	1	50-750	3000	2.5x2.2x0.34	75
HNC-1500W-Q-2.5	1500x2500	AC220V-50HZ	1	50-750	3000	3x2.2x0.34	82
HNC-1500W-Q-3	1500x3000	AC220V-50HZ	1	50-750	3000	3.5x2.2x0.34	87
HNC-1500W-Q-3.5	1500x3500	AC220V-50HZ	1	50-750	3000	4x2.2x0.34	94
HNC-1500W-Q-4	1500x4000	AC220V-50HZ	1	50-750	3000	4.5x2.2x0.34	101
HNC-1500W-Q-5	1500x5000	AC220V-50HZ	1	50-750	3000	5.5x2.2x0.34	113
HNC-1500W-Q-6	1500x6000	AC220V-50HZ	1	50-750	3000	6.5x2.2x0.34	126

Model	Cutting range mm	Supply Voltage V/Hz	Cutting torch Number of groups	Cutting speed mm/min	Maximum no-load speed mm/min	Overall dimensions LxWxH(M)	Weight kg
HNC-1500W-2	1500x2000	AC220V-50HZ	1	50-750	3000	2.5x2.2x0.37	108
HNC-1500W-2.5	1500x2500	AC220V-50HZ	1	50-750	3000	3x2.2x0.37	121
HNC-1500W-3	1500x3000	AC220V-50HZ	1	50-750	3000	3.5x2.2x0.37	134
HNC-1500W-3.5	1500x3500	AC220V-50HZ	1	50-750	3000	4x2.2x0.37	147
HNC-1500W-4	1500x4000	AC220V-50HZ	1	50-750	3000	4.5x2.2x0.37	160
HNC-1500W-5	1500x5000	AC220V-50HZ	1	50-750	3000	5.5x2.2x0.37	186
HNC-1500W-6	1500x6000	AC220V-50HZ	1	50-750	3000	6x2.2x0.37	212

Packing List:



Chat with me ³

No.	Name	Quantity	Note
Assembled parts			
1	Main engine	1	
2	Transverse rails	1	Aluminum profile
3	Longitudinal rails	1	
4	Torch assembly	1	
5	Power cord	1	9m
Technical literature			
1	Mechanical operation manual	1	
2	System manual	1	
3	Programming software CD	1	
4	Dongle	1	
5	Certificate	1	
Supplied accessories			
1	Acetylene cutting nozzle	3	G02
2	Penetration needling	1box	
3	Wrench	1	
4	Hose clamps	2	Φ16mm



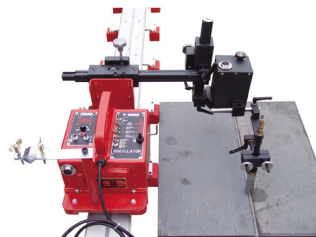
Related Product



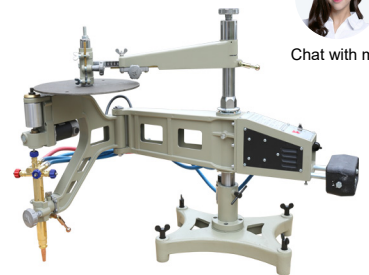
(/hnc--standard-cnc-plasma--oxy-fuel-plate-cutting-machine-122.html)
HNC-4000 Standard CNC Plasma & Oxy-Fuel...



(/hnc--true-hole-hd-high-definition-precision-cnc-plasma-cutting-machine-118.html)
HNC-4000 True Hole HD high definition precis...



(/hgk--mini-rail-weaving-welding-carriage-169.html)
HGK-200 Mini Rail Weaving welding carriage ...



(/cg--profiling-flame-cutter-114.html)
CG2-150 Profiling flame cutter (/cg--profiling-fl...



Chat with me ³



Home (/index.html)

Products (/why-choose-huawei-31.html)

Support
(<http://www.huaweicutting.com/warranty-63.html>)

Application
(<http://www.huaweicutting.com/construction-19.html>)

Cooperation chance
(/contact-us-6.html)

Domestic distributor
(/contact-us-6.html)

Global network (/contact-us-6.html)

Call us now toll free

+86-21-69597779

Follow Us



(https://twitter.com/Shanghai_Huawei)



(<https://www.youtube.com/user/huaweishcn/>)



(<https://www.facebook.com/huaweicutting/>)



Chat with me ³