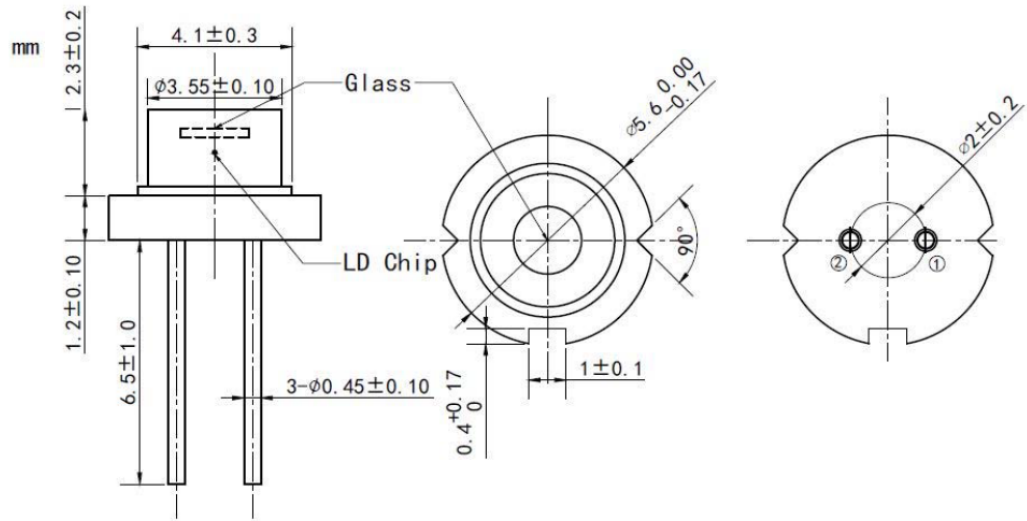


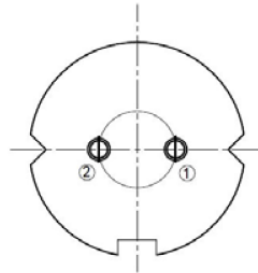
UV Laser Diode FWSL-395-300-TO18-MM

PARAMETER	SYMBOL	VALUE	UNIT	
Reverse Voltage	V_r	2.0	V	
Operating Temperature	T_{op}	0~+30	°C	
Storage Temperature	T_{stg}	-40~+85	°C	
Lead soldering temperature (10 sec.)	T_{is}	260	°C	
Features: <ul style="list-style-type: none"> • 395nm • High Output Power • 5.6mm Package • Multimode Laser Diode 				
Applications: <ul style="list-style-type: none"> • Medical Laser Treatment • Printing • Others 				
Specifications				
		Min	Type	Max
Center Wavelength@25°C		395nm±10nm		
Spectral Width (FWHM)		2.0nm		
Output Power (CW)		----	300mW	----
Beam Divergence (FWHM)		----	45° _⊥ x 15° _{//}	51° _⊥ x 21° _{//}
Threshold Current (Typ.)		----	130mA	200mA
Operating Current (Typ.)		----	330mA	360mA
Operating Voltage		----	4.8V	5.5V
Slope Efficiency		----	1.6mW/mA	----
Recommended Operating Temperature		25 °C		
Package Style		5.6mm		

TO18 (5.6mm) Package View



PIN Bottom View



1	LD(+)
2	LD(-)