



## FPYL-526.5-XXXXT

### Green High Power DPSS Laser

#### Specifications

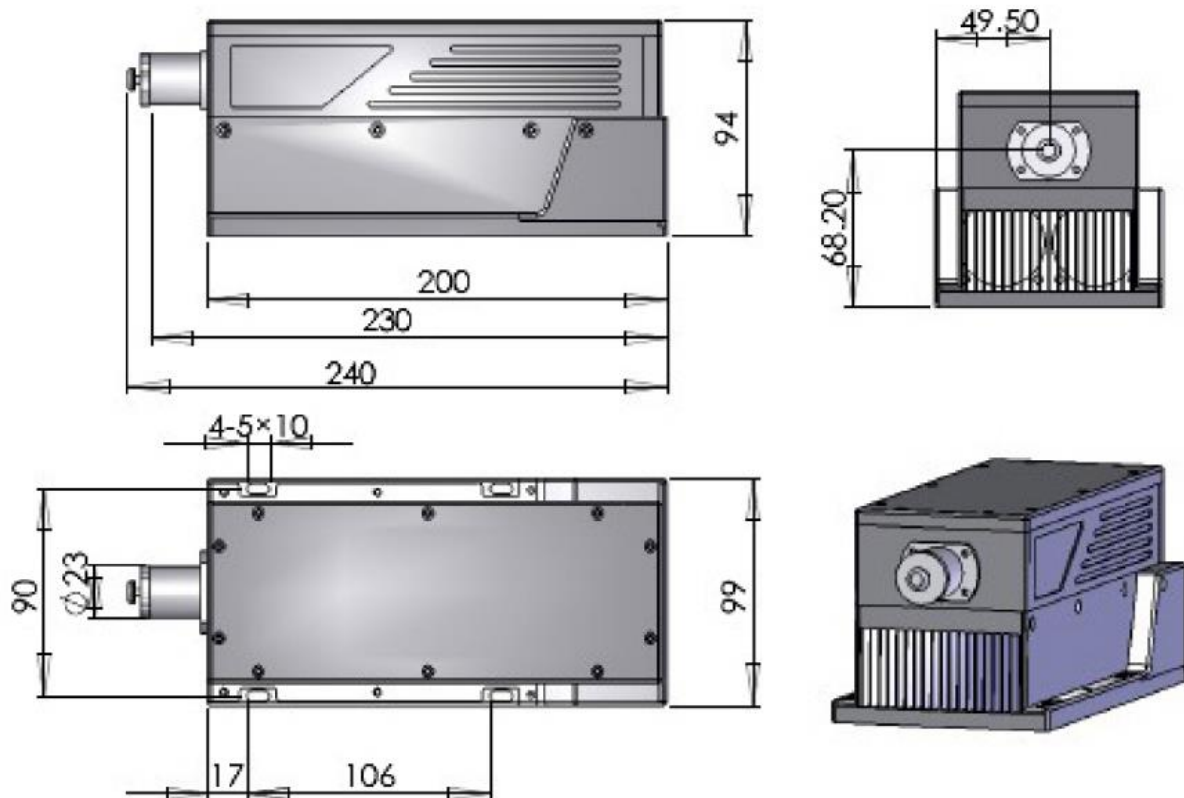
Wavelength (nm)	526.5±1
Output Power (mW)	300 - 1000*
Transverse Mode	near TEM <sub>00</sub>
Operating Mode	CW
Power Stability (RMS, over 4 hours)	<5%, <10%*
Warm-up Time (minutes)	<10
M <sup>2</sup> Factor	3.0~5.0
Beam Divergence (full angle) (mrad)	<1.5
Beam Diameter at the Aperture (mm)	~3.0
Beam Height from Base Plate (mm)	68.2
Polarisation Ratio	>100:1
Operating Temperature (°C)	10 - 35
Expected Lifetime (hours)	10000

\* To be specified

## Laser Head Drawing



**240(L)×99(W) ×94(H) mm<sup>3</sup>, 2.6 kg**



## Power Supply Drawing



238 (L) ×146(W) ×102 (H) mm<sup>3</sup>, 2.3 kg

