



# FPYL-515-XXXT

## Green DPSS Laser

### Specifications

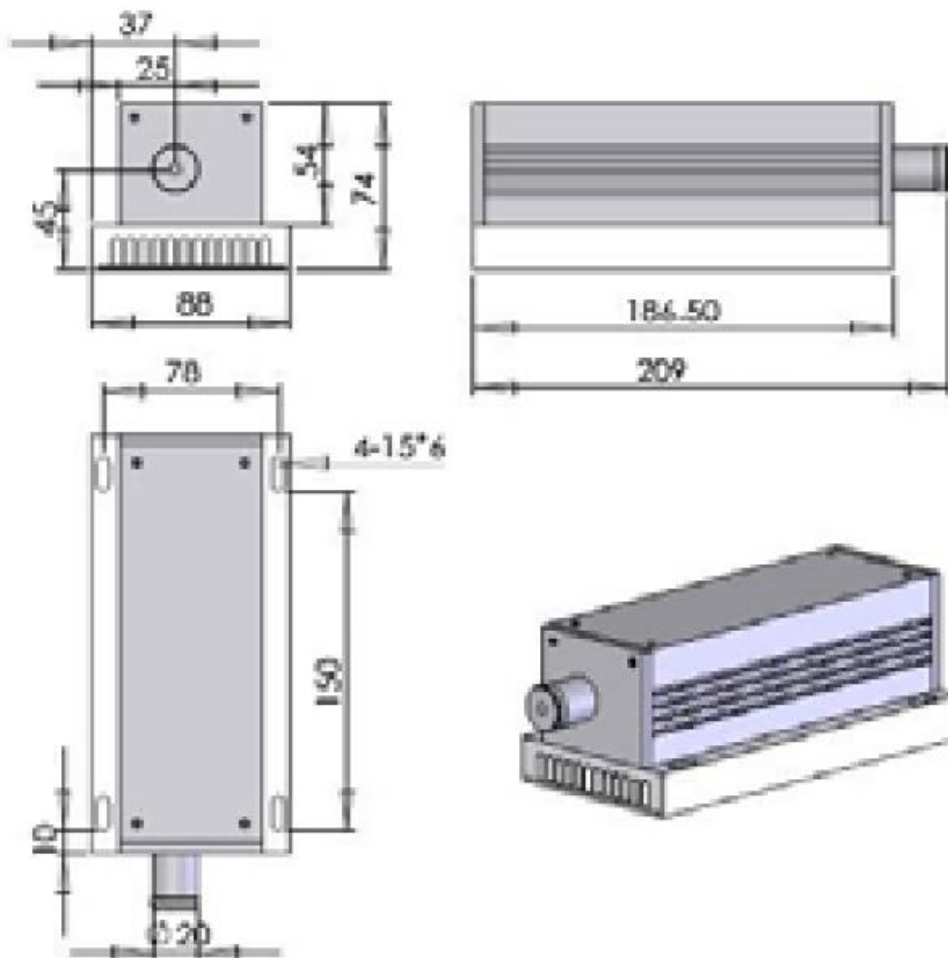
Wavelength (nm)	515±1
Output Power (mW)	1 - 100*
Transverse Mode	Near TEM <sub>00</sub>
Operating Mode	CW
Power Stability (RMS, over 4 hours)	<10%
Warm-up Time (minutes)	<10
M <sup>2</sup> Factor	<2.0
Beam Divergence (full angle) (mrad)	<2.0
Beam Diameter at the Aperture (1/e <sup>2</sup> ) (mm)	~3.0
Beam Height from Base Plate (mm)	45
Polarization Ratio	>100:1
Pointing Stability after Warm-up	<0.05
Expected Lifetime (hours)	10000
Operating Temperature (°C)	10 - 35

\*To be specified

## Laser Head Drawing



**209(L)×88(W) ×74(H) mm<sup>3</sup>, 1.6 kg**



## Power Supply Drawing



238 (L) ×146(W) ×102 (H) mm<sup>3</sup>, 2.3 kg

