



# FPYL-1064-XXXXT

## Infrared DPSS Laser

### Specifications

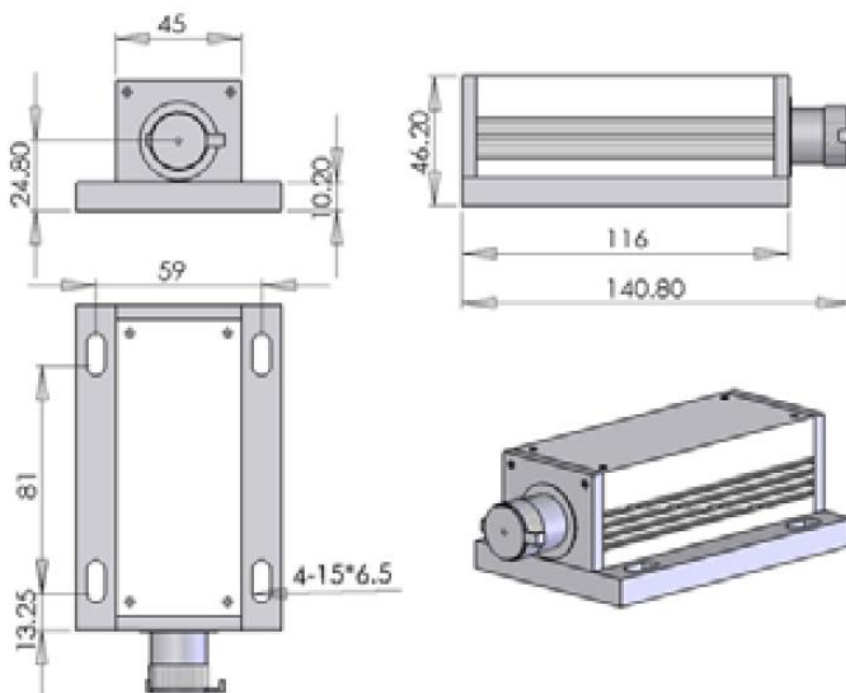
Wavelength (nm)	1064±1
Output Power (mW)	1 - 1000*
Transverse Mode	TEM <sub>00</sub>
Operating Mode	CW
Power Stability (RMS, over 4 hours)	<1%, <2%, <3%
Warm-up Time (minutes)	<10
M <sup>2</sup> Factor	<1.5 (<1.2 optional)
Beam Divergence (full angle) (mrad)	<1.5
Beam Diameter at the Aperture (mm)	~1.5
Beam Height from Base Plate (mm)	24.8
Modulation	TTL / Analog up to 30KHz (optional)
Polarisation Ratio	>100:1
Pointing Stability after Warm-up (µrad)	<0.05
Operating Temperature (°C)	10 - 35
Expected Lifetime (hours)	10000

\* To be specified

## Laser Head Drawing



140. 8(L)×73(W) ×46. 2(H) mm<sup>3</sup>, 0.6kg



## Power Supply Drawing



133 (L) ×130(W) ×65 (H) mm<sup>3</sup>, 1.2kg

