

doc no. 00801

PAT TECHNOLOGY SYSTEMS

# FILTRABOX



PREMIUM ENGINEERED FUME EXTRACTORS

## EXPAND<sup>X</sup>

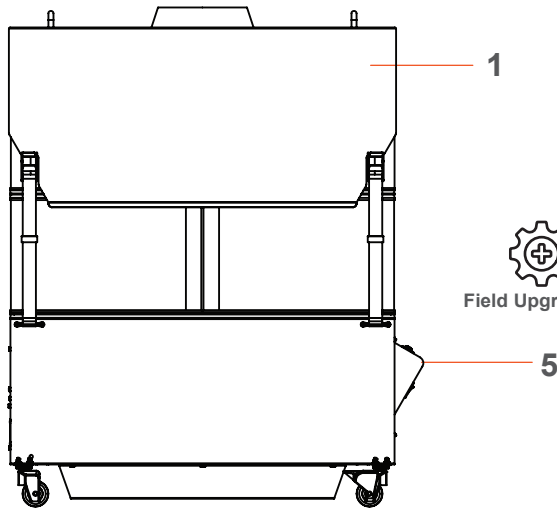
SEALED METAL CARTRIDGE FILTERS  
MODULAR FOR SERVICEABILITY  
MANUAL & LASER INTERFACE  
INTELLIGENT FLOW CONTROL  
LOW OPERATING COST



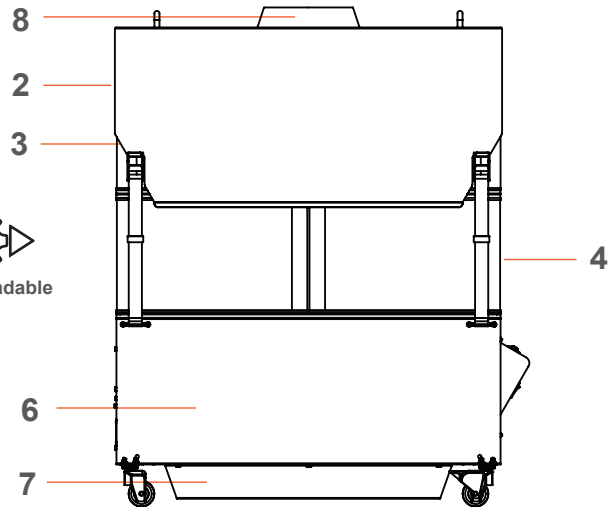
[www.filtrabox.com](http://www.filtrabox.com)

# Specifications

## Expand X-1 Single Blower



## Expand X-2 Dual Blower



Technical Specification		
Quiet Operation	50 dB	
Max. Airflow	235 CFM	
Height	38 in.	
Width	15 in.	
Depth	31 in.	
Warranty	1 year	
Included Filters		
Type	Material	Total Media
1 Pre-filter + 1 spare*	Glass Fiber	30 m <sup>2</sup>
1 HEPA	Glass Fiber	15 m <sup>2</sup>
1 Chemical Cartridge Set (pair)**	Coconut shell carbon / KMnO <sub>4</sub>	80 lbs.
Electrical		
Volts	230/120 V	
Frequency	50-60 Hz	
Rated Amps	6/12 A	

Technical Specification		
Quiet Operation	53 dB	
Max. Airflow	2 x 235 CFM	
Height	38 in.	
Width	15 in.	
Depth	31 in.	
Warranty	1 year	
Included Filters		
Type	Material	Total Media
1 Pre-filter + 1 spare*	Glass Fiber	30 m <sup>2</sup>
1 HEPA	Glass Fiber	15 m <sup>2</sup>
1 Chemical Cartridge Set (pair)**	Coconut shell carbon / KMnO <sub>4</sub>	80 lbs.
Electrical		
Volts	230/120 V	
Frequency	50-60 Hz	
Rated Amps	10/20 A	

\*Pre-filter replacement spares are sold individually

\*\*Chemical Cartridge Set consists of a pair of cartridges that work as a pair within the extactor  
Contact us for details on hose kits.

### Legend:

- 1) Lid Module      2) Rigid Aluminum Pre-Filter      3) Rigid Aluminum Hepa Filter      4) Oxy-Carbon Filter  
5) Electronics Module      6) Blower Module      7) Exhaust Outlet      8) Top-Mounted Inlet

For more information please call Filtrabox™  
at +1 514-840-9696 (ext. 101)  
or +1 877-582-7929 (International)