



## DOOR CLEANING MACHINE

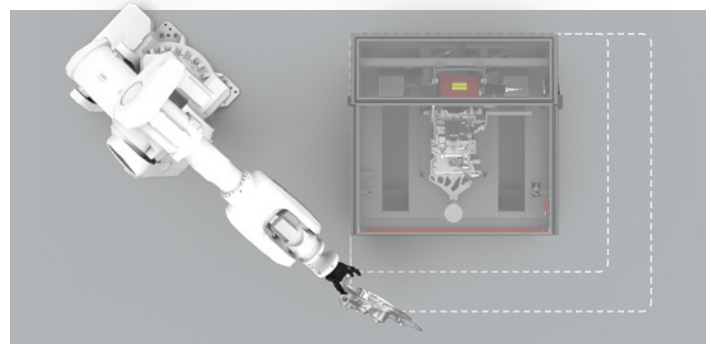
The Door Cleaning Machine is a simple solution suitable for several industrial cleaning applications. With its compact footprint and U-shaped door, it can easily be integrated in existing robotic cells. This Class-1 high-power machine can perform several surface treatments, such as cleaning and texturing, and offers up to 500W of laser power.

Several options are available, such as automatic focus compensation, part rotation, or laser head linear movements on a gantry system. The machine also incorporates an efficient filtration system to manage fumes and dust generated by the laser process.



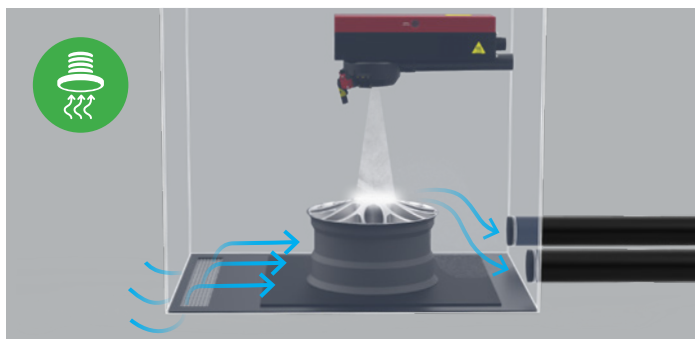
### USE YOUR CURRENT ROBOT

The Door Cleaning Machine is the best compromise between cost and efficiency. Once the robot has dropped the part in the fixture, it is free to perform other operations while the laser is processing the part.



### CUSTOMIZED FOR YOUR APPLICATION

The machine can be scaled to your part size. You can also clean multiple areas by flipping parts with the optional rotary axis. If the surface to process is larger than the laser's scanning field, you can add a gantry system to move the laser head as needed. And we also offer embedded quality control.



### ADVANCED FUME MANAGEMENT

The embedded fume management system ensures the constant quality of the process and the work environment's safety. In addition to customized nozzle configurations, the temperature and flow in the extraction unit are continuously monitored to detect any issues, ensuring that the operation is 100% safe for your employees.



### FLEXIBLE PART LOADING

To offer maximum flexibility, the machine comes with multiple part loading configurations. The robot can present parts from the front, left and right sides as well as from the top, granting you many options when optimizing your plant layout.

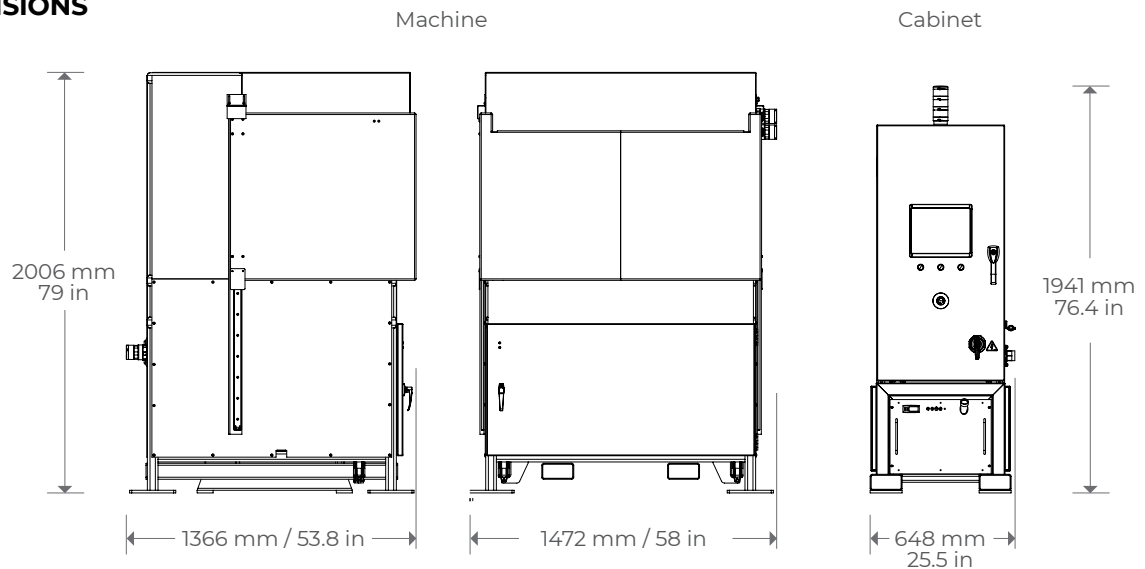
## TECHNICAL SPECIFICATIONS

### DOOR CLEANING MACHINE (DCM)

<b>Laser Power</b>	20 to 500W
<b>Laser Type</b>	Ytterbium-doped fiber
<b>Wavelength</b>	1064 nm
<b>Laser Source MTBF</b>	100,000 hours
<b>Laser Process</b>	Cleaning & Texturing
<b>Typical Weight</b>	770 kg
<b>Cooling</b>	Air cooling (water cooling with 500W)
<b>Power Requirements</b>	120V, 230V, 240V / 15-40 AMP
<b>Power Consumption</b>	1.5 kW to 5.8 kW
<b>Operating Temperature</b>	10°C to 45°C
<b>Communications</b>	Ethernet/IP, PROFINET, Profibus
<b>Multi-Parts Cleaning</b>	Performed with fixturing
<b>Part Size (W x D x H)</b>	1000 mm x 920 mm x 230 mm
<b>Part Material</b>	Aluminium, Zinc, Magnesium, Steel, Iron (All Metals)
<b>Part Positioning Tolerance</b>	Cleaning +/- 3 mm (+/- 70 mm with Autofocus) Texturing (Engraving) +/- 1 mm (+/- 30 mm with Autofocus)
<b>General Dimensions (W x D x H)</b>	1400 mm x 1270 mm x 2000 mm



## TYPICAL DIMENSIONS



**LASERAX**

**INDUSTRIAL LASER SOLUTIONS**  
VISIT [LASERAX.COM](http://LASERAX.COM)

#### LASERAX HEADQUARTERS

101-2811 Watt Ave  
Quebec, QC G1X 4S8  
Canada  
+1 418 780-7324

#### LASERAX USA

2401 Parkman Road  
Warren OH 44485  
United States  
+1 412 301-9957

#### LASERAX GMBH

Ferhrendstraße 1  
28359 Bremen  
Germany  
+49 421 2208-121