

doc no. 00701

PAT TECHNOLOGY SYSTEMS

FILTRABOX



PREMIUM ENGINEERED FUME EXTRACTORS

COMPACTX

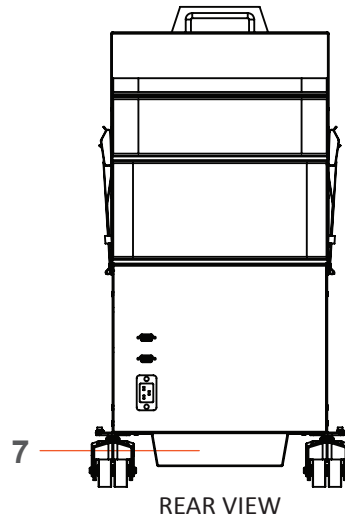
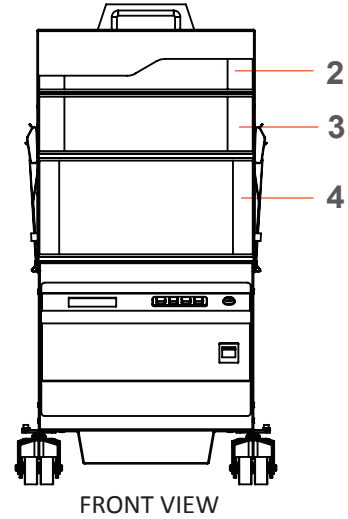
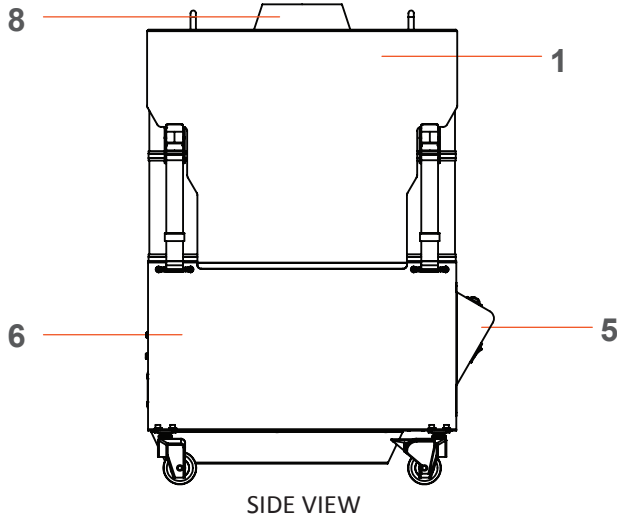
SEALED METAL CARTRIDGE FILTERS
MODULAR FOR SERVICEABILITY
MANUAL & LASER INTERFACE
INTELLIGENT FLOW CONTROL
LOW OPERATING COST
ULTRA-SLIM



www.filtrabox.com

Specifications

Compact



Technical Specification		
Quiet Operation	50 dB	
Max. Airflow	235 CFM	
Height	29 in.	
Width	15 in.	
Depth	21 in.	
Warranty	1 year	
Included Filters		
Type	Material	Total Media
1 Pre-filter	Glass Fiber	6 m ²
1 HEPA	Glass Fiber	6 m ²
1 Chemical Cartridge Filter	Coconut shell carbon / KMnO ₄	40 lbs.
Electrical		
Volts	230/120 V	
Frequency	50-60 Hz	
Rated Amps	6/12 A	

Contact us for details on hose kits.

Legend

- 1) Lid Module
- 2) Rigid Aluminum Pre-Filter
- 3) Rigid Aluminum Hepa Filter
- 4) Oxy-Carbon Filter
- 5) Electronics Module
- 6) Blower Module
- 7) Exhaust Outlet
- 8) Top-Mounted Inlet