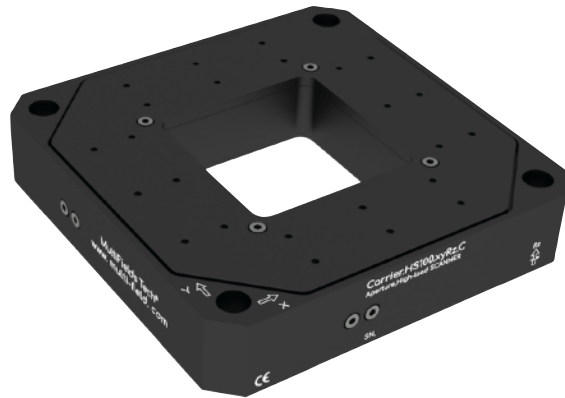


Piezo scanning Motion·High load with aperture– Carrier.HS100.xyRz.C

RT-piezo scanning solution -High load with aperture“carrier.HS series”

High load · high speed, XYRz,3-axis.

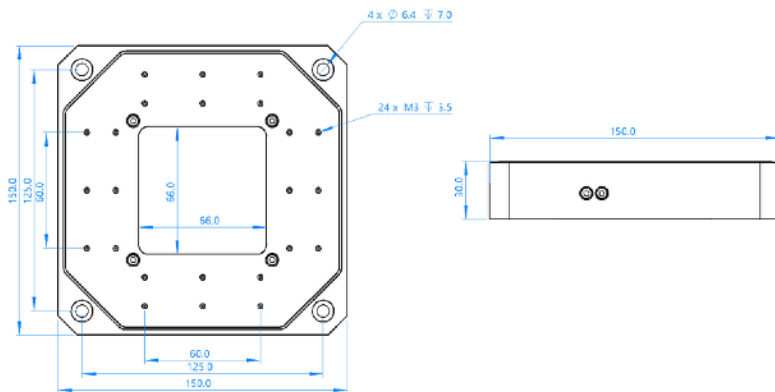


Carrier.HS100.xyRz.C

Feature

- Travel range in XY: 100 μm , θ_z : 1mrad
- Close loop resolution < 1nm;
- Max Load 3.5 kg;
- For microscopy-super resolution solutions.
- Non-magnetic (.NM) & ultra- high vacuum (.UHV) optional

2D·Drawings



Carrier.S100.xyRz.C – Specification

Optional Versions ⇨		Standard
		.NM, non-magnetic; .UHV, ultra-high vacuum compatible;
Basic		
1	Direction of movement	X, Y , θ_z
2	Footprint, hight	150 mm × 150 mm × 30 mm
3	Mainbody Materials	Aluminium alloy & Stainless
4	Travel Range	100 μm × 100 μm × 1mrad
5	Effective through-hole size	66 mm × 66 mm
Motion and positioning sensor		
6	Linearity Error (Z direction)	0.035%
8	Resolution (close loop/open loop)	1 nm / 0.2 nm
9	Repeatability	± 10 nm
10	Rigidity	2 N/ μm
11	Resonance Frequency (unloaded/2.5 kg)	420 Hz/ 130 Hz
12	Max Load	3.5 kg
13	Integrated sensor(close loop)	Capacitive
14	Max Operating Voltage	Max. 150 V
Others		
15	Operating temperature range	15 ~40 °C
16	Weight	1 kg
17	Mount	suitable for Carrier.L7550.XY