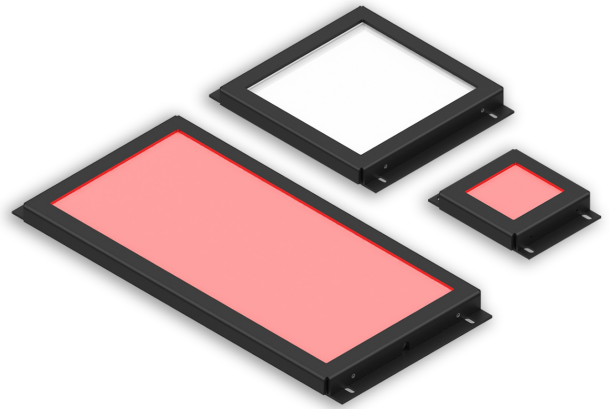


Product Highlights

- Our MicroBrite™ Edge-lit backlights provides one of the highest flux densities of any compact backlight in our portfolio.



General Specifications

	Part Number	Color	All Controls
Electrical Specifications	BT050050	625	0.13A Max
	BT050050	455, 530, WHI	0.18A Max
	BT050050	850	0.075A Max
	BT100100	625	0.32A Max
	BT100100	455, 530, WHI	0.44A Max
	BT100100	850	0.45A Max
	BT200100	625	0.67A Max
	BT200100	455, 530, WHI	0.92A Max
	BT200100	850	0.45A Max
Normal Operating Temperature	0 - 60°		
Weight	BT050050 - 54.43g (1.92oz)		
	BT100100 - 195.04g (6.88oz)		
	BT200100 - 313.00g (11.04oz)		
Standard Cable Information	2 m long -0/+150 mm (80" -0/+6") - 105°C rated PVC jacket, foil shield with drain.		

Photobiological Risk Factor	Exempt Applicable Wavelengths: 850 Group 1 (Low-Risk) Applicable Wavelengths: 455, 530, 625
Compliance	CE, RoHS, IEC 62471
IP Rating	IP50
Lumen Maintenance	L70 = 50,000 Hours

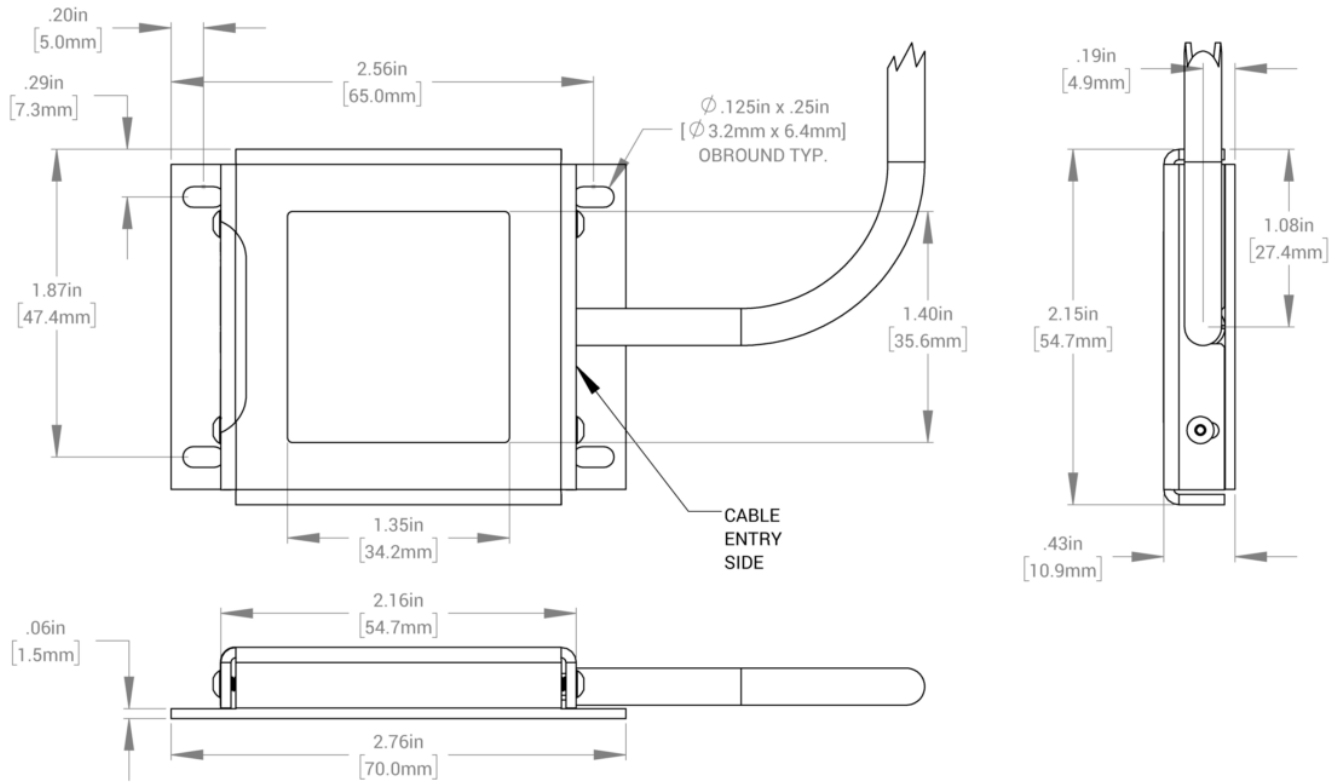
Part Number Key

Model	Model Extension	-	Peak Wavelength	Connector/Control	Light Conditioning Option	-	Alternative Connector
BT	XXXXXX	-	XXX	XX	X	-	XXX
BT	050050		455 (blue)	C1	C (Collimation)		M8 ¹
	100100		530 (green)	C5			M12 ¹
	200100		625 (red)	IC	P (Polarizer)		
			850 (IR)	I3			
			WHI (white)	I3S			
EX: BT050050-WHIC1 BT200100-625IC		¹ Available with IC, I3, and I3S					

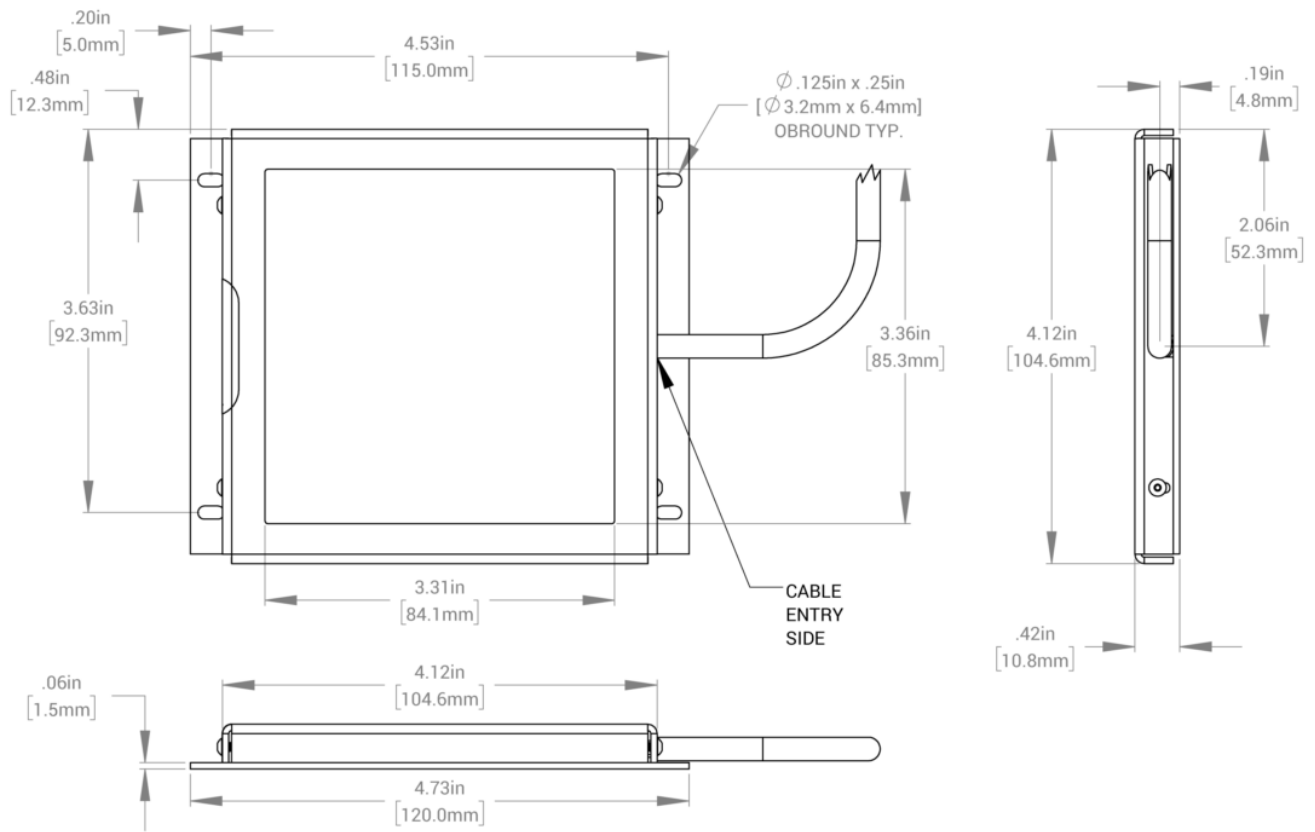
See website product page for in-stock product numbers.

Shipping:
 Stock Products: within three days
 Build-to-Order Products: within one to three weeks

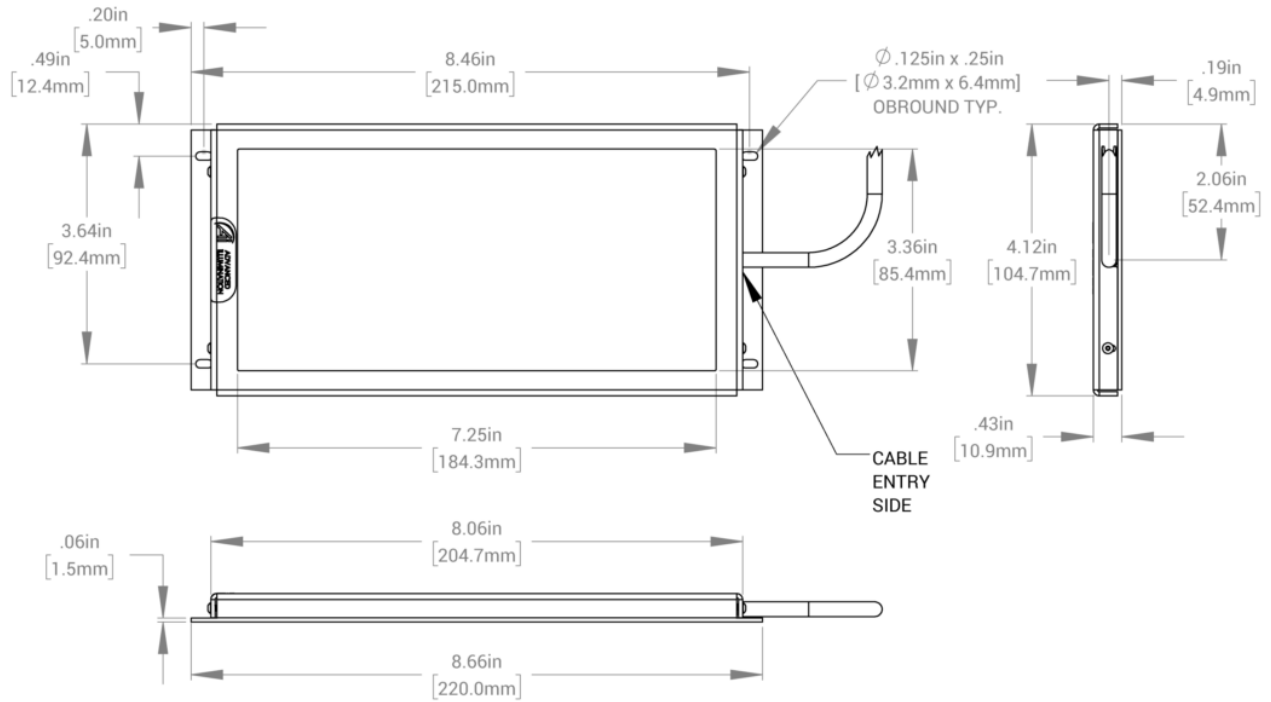
[B050050]



[B100100]

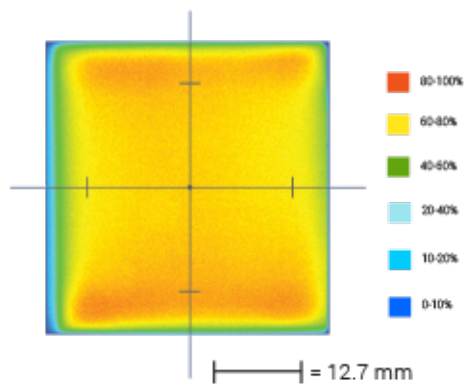


[B200100]



Optical Specs

Intensity Distribution



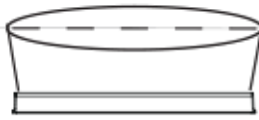
Optical measurement taken using BT050050-WHII3

Area of Illuminance & Intensity

Working Area (FWHM)
@ Working Distance

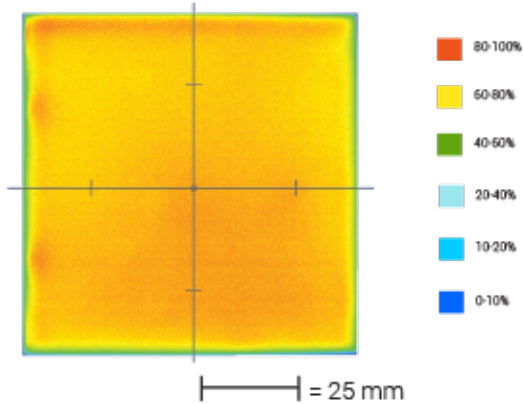
Light Output

28 x 28 (mm)
@surface



Irradiance (W/M²): Min 116.5; Typ 137.0
Illuminance (kLux): Min 45.1; Typ 53

Intensity Distribution



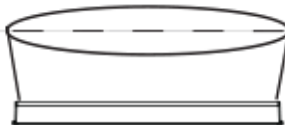
Optical measurement taken using BT100100-WHII3

Area of Illuminance & Intensity

Working Area (FWHM)
@ Working Distance

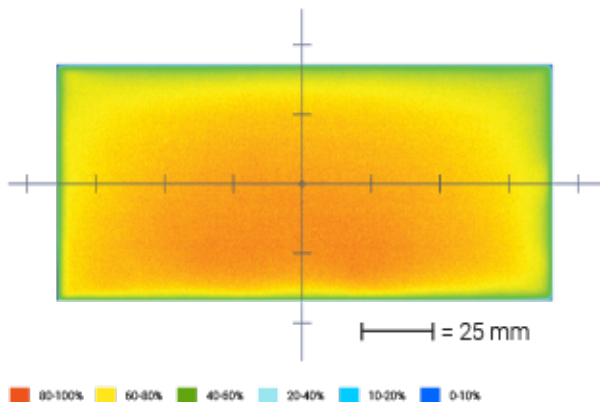
Light Output

76 X 76 (mm)
@surface



Irradiance (W/M²): Min 128.3; Typ 151.0
Illuminance (kLux): Min 51.0; Typ 60.0

Intensity Distribution

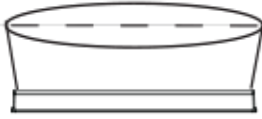


Optical measurement taken using BT200100-WHIIIC

Area of Illuminance & Intensity

Working Area (FWHM)
@ Working Distance

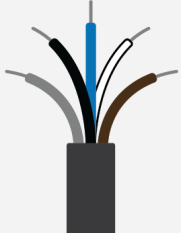
178 X 76 (mm)
@surface



Light Output

Irradiance (W/M²): Min 152.2; Typ 179.0
Illuminance (kLux): Min 59.5; Typ 70.0

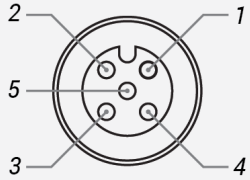
Standard Flying Lead Functions for IC, I3 and I3S Control Options



COLOR	IC FUNCTIONS	I3/I3S FUNCTIONS
BROWN	24 V DC	24 V DC
WHITE	0-10 V ANALOG DIMMING	RESERVED
BLUE	DC GND	DC GND
BLACK	PNP/ACTIVE LOW GATE	PNP/ACTIVE HIGH TRIGGER
GRAY	N/A	0-10 V ANALOG DIMMING

The functions listed above are applicable when this product is configured with built-in IC, I3, or I3S control, **without** the optional A-coded 5-position Male M12 or A-coded 4-position Male M8 connector.

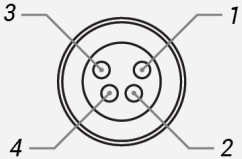
M12 Connector Pinout Functions for IC, I3 and I3S Control Options



PIN	IC FUNCTIONS	I3/I3S FUNCTIONS
1	24 V DC	24 V DC
2	0-10 V ANALOG DIMMING	RESERVED
3	DC GND	DC GND
4	PNP/ACTIVE LOW GATE	PNP/ACTIVE HIGH TRIGGER
5	N/A	0-10 V ANALOG DIMMING

The functions listed above are only applicable when this product is configured with built-in IC, I3, or I3S control, **with** an A-coded 5-position Male M12 connector.

M8 Connector Pinout Functions for IC, I3 and I3S Control Options



PIN	IC FUNCTIONS	I3/I3S FUNCTIONS
1	24 V DC	24 V DC
2	0-10 V ANALOG DIMMING	0-10 V ANALOG DIMMING
3	DC GND	DC GND
4	PNP/ACTIVE LOW GATE	PNP/ACTIVE HIGH TRIGGER

The functions listed above are only applicable when this product is configured with built-in IC, I3, or I3S control, **with** an A-coded 4-position Male M8 connector.

For details on operating configurations without built-in control (C1, C5, Q1, and Q4 control, when available), please refer to Advanced illumination's controller manuals.

Control Specs

C1 Connector	C5 Connector	IC	I3	I3S
<i>For use with:</i> DCS Series Controllers	<i>For use with:</i> Pulsar 320 Strobe Controller.	Continuous in-line controller <i>Powered with:</i> 24V power supply	Combination strobe/continuous in-line controller <i>Powered with:</i> 24V power supply	Default-OFF strobe/continuous in-line controller <i>Powered with:</i> 24V power supply

Warranty Information

Every Advanced illumination, Inc. (Ai) product is thoroughly inspected and tested before leaving the factory. Products are warranted to be free of defects in workmanship and materials for a period of FIVE YEARS from the original date of purchase. Should a defect develop during this period, customers may return the complete product, freight prepaid, to one of Ai's distributors or to the Ai factory. All product warranty returns require a Return Merchandise Authorization (RMA) number which is obtained from Customer Service. The RMA number must be clearly marked on the outside of the package. Ai will inspect the unit, and if a defect is found will, at our option, repair or replace the product without charge. Ai disclaims liability for any implied warranties, including implied warranties of "merchantability" and "fitness for a specific purpose." For products under warranty that have since been discontinued, Ai will make an effort to replace with equivalent parts; for circumstances that do not allow for equivalent replacement, Ai reserves the right to repair or replace these products with an updated version. Ai cannot be held responsible for the unauthorized or inappropriate use of its products. Any unauthorized repair or modifications will result in a voided warranty.

No Liability for Consequential Damages: In no event shall Ai be liable for any consequential, special, incidental, or indirect damages of any kind arising from the sale or use of the products.

Electromagnetic Compatibility

This product was tested and complies with the regulatory requirements and limits for electromagnetic compatibility (EMC) as stated in the product specifications. These requirements and limits are designed to provide reasonable protection against harmful interference only when the product is operated in its intended industrial electromagnetic environment. To minimize the potential for electromagnetic interference or unacceptable performance degradation, install and use this product in strict accordance with the instructions in the product documentation.

Customer Service

For information on existing orders, or to make an order adjustment, contact us Monday through Friday 8:00 am to 5:00 pm ET or send an email to orders@advancedillumination.com.

Company Information

Advanced Illumination

440 State Garage Road, Rochester, VT 05767

Phone: 802.767.3830

Fax: 802.767.2636

Email: info@advancedillumination.com

Web: advancedillumination.com

© 2021 Advanced illumination Inc. All rights reserved