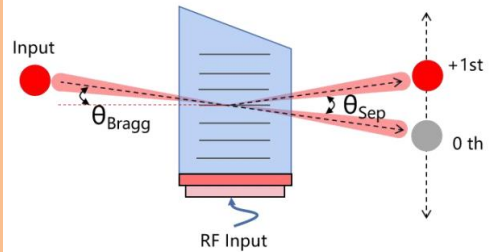


**AOM Specifications**  
**声光调制器产品规格书**  
**M0001-GL041-080-10600**



**1. SPECIFICATIONS (规格)**

Interaction material (介质材料)	Germanium (锗)
Acoustic mode (声波模式)	Longitudinal (纵波)
Operating wavelength (工作波长)	10.6μm
Polarization (光偏振)	Linear, parallel to base (线偏振, 平行于基座)
Transmission (透过率)	> 93%
Active aperture (有效孔径)	8.0mm
Center frequency (Fc) (中心频率)	40.68MHz
Diffraction efficiency (衍射效率)	>80%
RF power (射频功率)	80 W (max)
Input Impedance (输入阻抗)	50Ω Nominal
VSWR (驻波比) @Fc	< 1.2:1
RF connector (射频接头)	BNC-F
Water flow rate (水流量)	> 0.2 L / minute
Cooling (散热方式)	Water-cooling (水冷散热)
Shell material (外壳材料)	Aluminum alloy 6063 (铝6063)
Water cooling channel material (水冷块材料)	Stainless steel 316 (不锈钢316)

**2. PERFORMANCE vs. WAVELENGTH (性能 vs. 波长)**

Wavelength (光波长) -um	10.6
Bragg angle (布拉格角) -mrad	39.2
Separation angle (分离角) -mrad	78.4

**3. ESTIMATED PERFORMANCE vs. BEAM DIAMETER (预估性能 vs. 光束直径)**

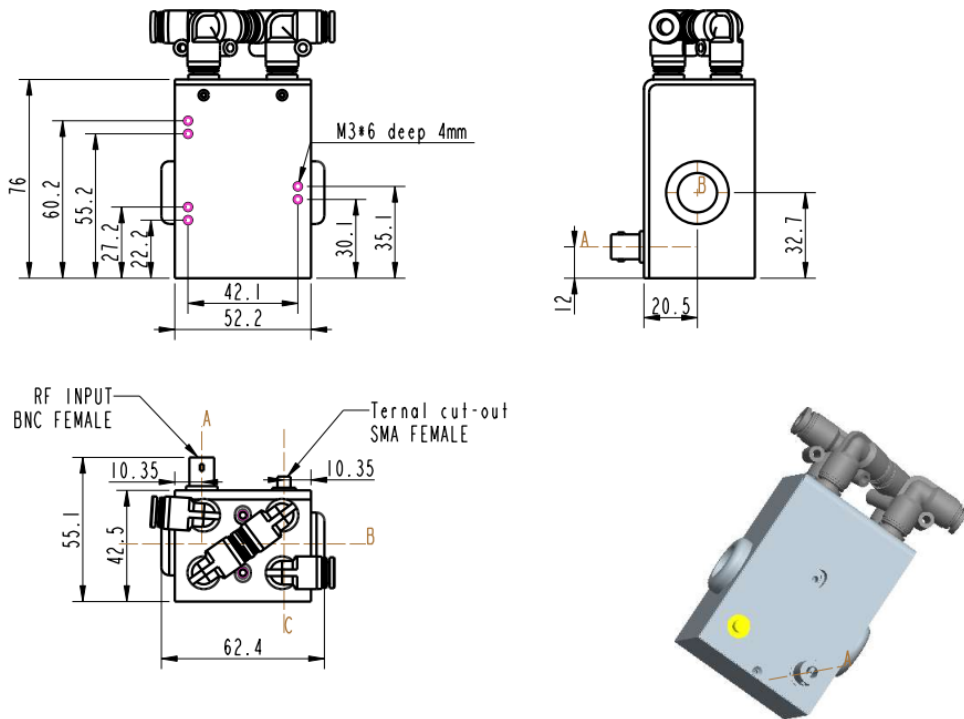
Beam diameter (光束直径) -mm	1	3	7
Rise time (上升沿时间) -ns	118	354	826
Diffraction efficiency (衍射效率) @Fc	80%	80%	80%

服务精密制造的先进检测设备供应商 Focus On Advanced Measurements

#### 4. ORDERING CODES (编码规则)

	Fc		Active aperture		Wavelength
M0001— GL	XXX	—	XXX	—	XXXX
27.12 MHz	027		040	4 mm	9400 9.4 um
40.68 MHz	041		060	6 mm	10600 10.6 um
80 MHz	080		080	8 mm	

#### 5. DIMENSIONS (外形尺寸-mm)



#### 6. SUGGESTED RF DRIVER ELECTRONICS (建议驱动型号)

RD1001-041-24-100-WA

#### 7. REVISION (版本)

Number (版本号)	Revisions date (修订日期)	Revision (修改项目)	Revision description (修订内容说明)
A	2022.6.20	New	/

Quality Assured: In house made, high damage threshold, Vacuum bonding, 100% Diffraction efficiency test & burn-in test.

