



Product Description

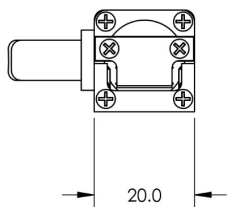
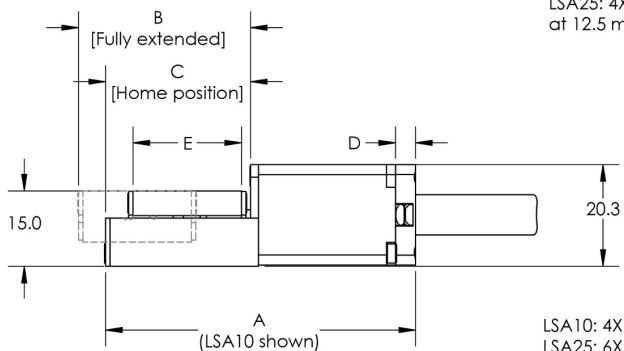
Zaber's LSA series stages are designed to fit into the smallest spaces, without sacrificing performance or features. Small but powerful, these stages have up to 10 mm/s speed and up to 3.5 kg thrust. With a microstep size of less than 25 nm and < 1 um repeatability, they allow for reliable ultra-fine positioning.

The LSA stages are wired with a male D-sub 15 connector for plug-and-play use with our X-MCB1 Series stepper motor controllers. Our handy kits include free software, and all of the accessories that you will need to get the stage running right out of the box.

Dimension Drawings

Model Number*	Travel	A	B	C	D	E
LSA10	10.0	61.8	34.3	28.9	4.0	21.6
LSA25	25.0	96.3	62.9	48.4	19.0	36.0

*See product page for complete list of available models at www.zaber.com



LSA10: 2X M3X0.5 ∇ 4.5
LSA25: 4X M3X0.5 ∇ 4.5
at 12.5 mm grid spacing

LSA10: 2X \varnothing 1.5 Dowel
LSA25: 4X \varnothing 1.5 Dowel
for XY alignment

Motor and sensor wires

M4X0.7 ∇ 4.0

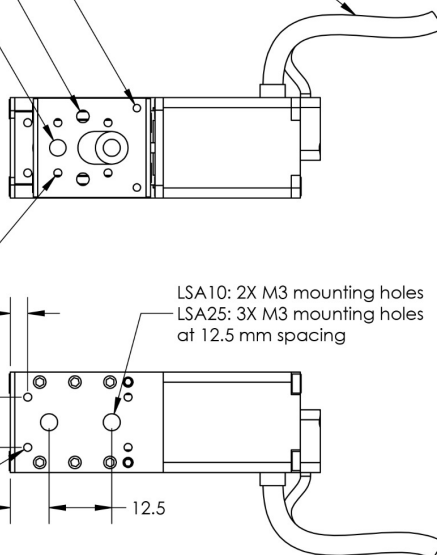
LSA10: 4X M2X0.4 ∇ 4.5
LSA25: 6X M2X0.4 ∇ 4.5
at 10 mm grid spacing

LSA10: 2X M3 mounting holes
LSA25: 3X M3 mounting holes
at 12.5 mm spacing

LSA10: 4X M2X0.4 ∇ 4.0
LSA25: 6X M2X0.4 ∇ 4.0
at 20 mm grid spacing

3.5
10.0
7.7

12.5



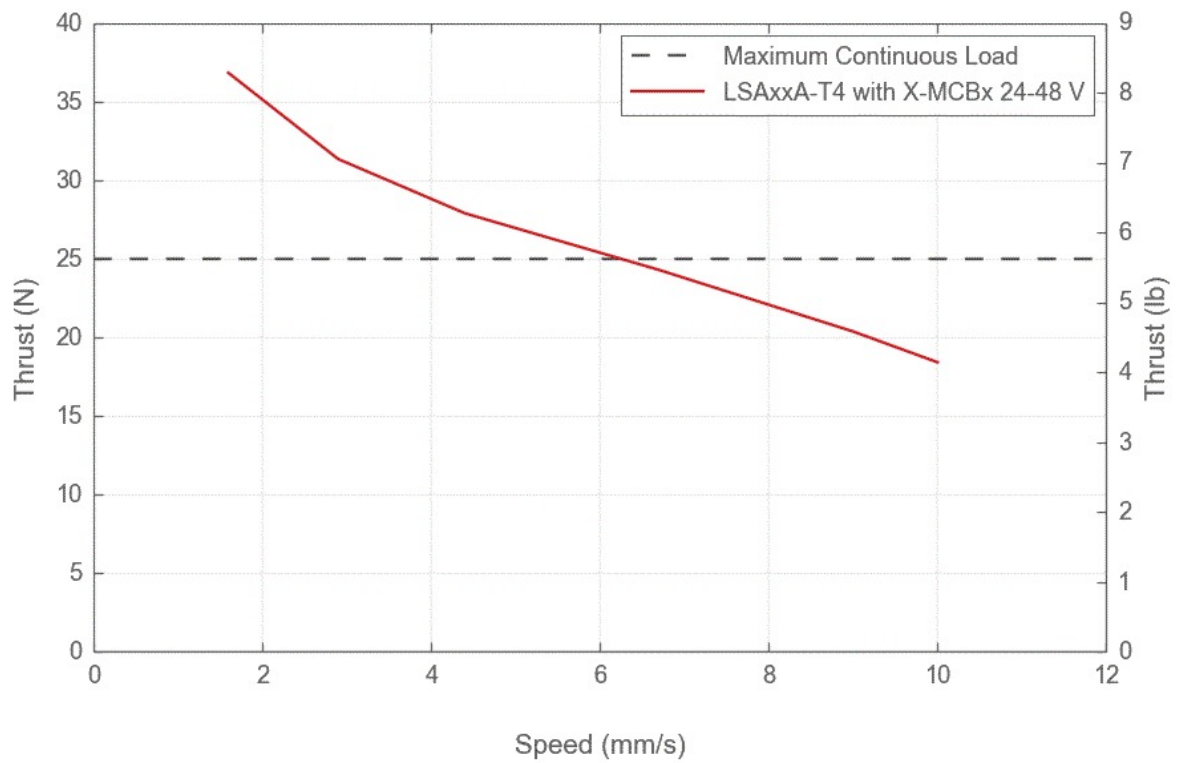
Product Specifications

Specification	Value	Alternate Unit
Microstep Size (Default Resolution)	0.0238125 μm	
Built-in Controller	No	
Recommended Controller	X-MCB1 (48 V) Recommended	
Travel Range	10 mm	0.394 "
Accuracy (unidirectional)	18 μm	0.000709 "
Repeatability	< 1 μm	< 0.000039 "
Backlash	< 5 μm	< 0.000197 "
Maximum Speed	10 mm/s	0.394 "/s
Minimum Speed	0.0000145 mm/s	0.000001 "/s
Speed Resolution	0.0000145 mm/s	0.000001 "/s
Encoder Type	None	
Peak Thrust	35 N	7.8 lb
Maximum Continuous Thrust	25 N	5.6 lb
Maximum Centered Load	25 N	5.6 lb
Maximum Cantilever Load	100 N @ cm	141.6 oz @ in
Guide Type	Ball bearing	
Vertical Runout	< 4 μm	< 0.000157 "
Horizontal Runout	< 13 μm	< 0.000512 "
Pitch	0.09°	1.571 mrad
Roll	0.03°	0.524 mrad
Yaw	0.04°	0.698 mrad
Linear Motion Per Motor Rev	0.3048 mm	0.012 "
Motor Steps Per Rev	200	
Motor Type	Stepper (2 phase)	
Motor Rated Current	240 mA/phase	
Motor Winding Resistance	20.4 ohms/phase	
Inductance	5 mH/phase	
Motor Rated Power	2.35 Watts	
Motor Connection	D-sub 15	
Motor Frame Size	NEMA 08	
Mechanical Drive System	Precision lead screw	
Limit or Home Sensing	Magnetic hall sensor	

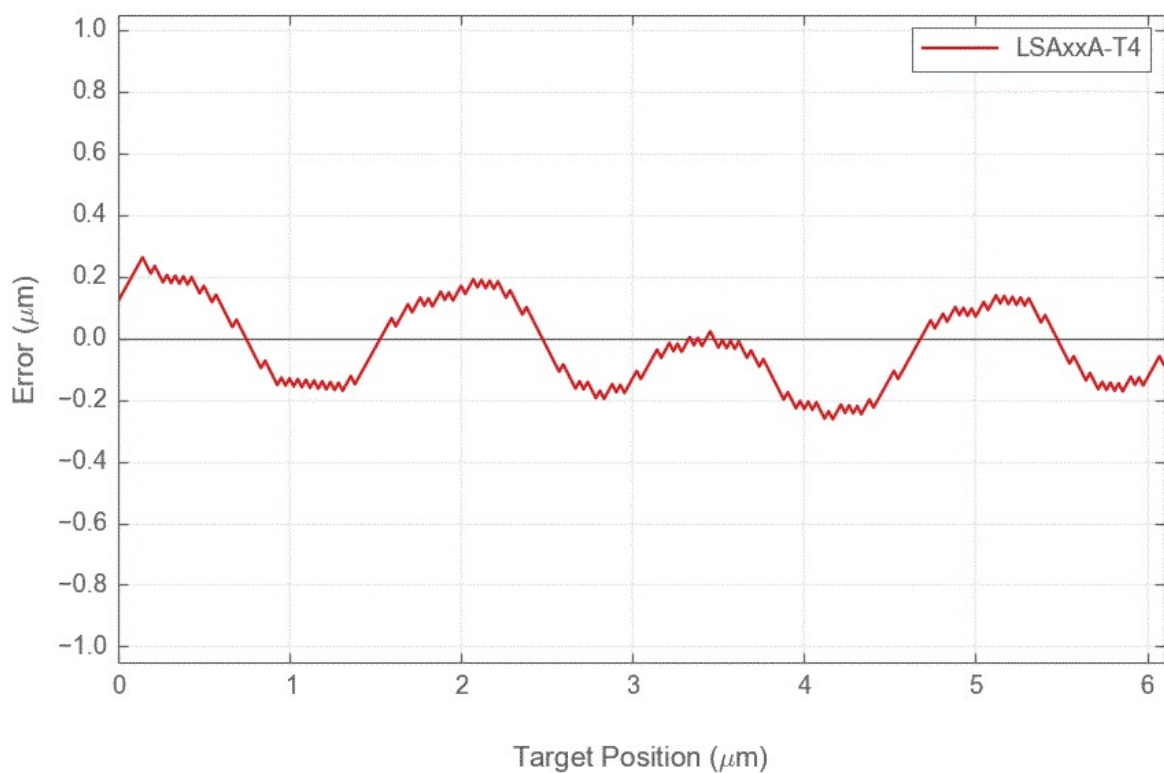
Specification	Value	Alternate Unit
Axes of Motion	1	
Mounting Interface	M2 and M3 threaded holes and M4 threaded centre hole	
Operating Temperature Range	0 to 50 °C	
RoHS Compliant	Yes	
CE Compliant	Yes	
Weight	0.115 kg	0.254 lb

Specification Charts

Thrust Speed Performance



Typical Microstepping Accuracy



Typical Accuracy

