



# West Coast Tech Limited

H

Home > Product detail -Spherical Lens-Plano concave lens

- VIS
- Optics
- Diffuser
- Dome
- Prism
- Spherical
- Cylindrical
- Aspherical
- Ball Lens
- Drum Lens
- Mirror
- Beamsplitter
- Optical
- Waveplate
- + UV Optics
- + IR Optics
- + Panoramic

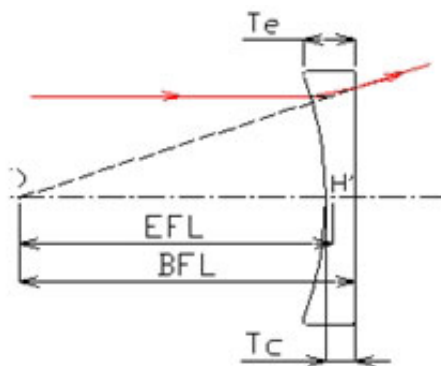
## Plano concave lens

RFQ

### Product Info

Plano-concave lens has a negative focal length, diverges collimated incident light, and forms only virtual images which are seen through the lens. It is often used to expand light beams or increase focal lengths in existing systems.

- [+ Laser](#)
- [+ Micro](#)
- [+ Sapphire](#)



Capability

Material:	Optical glass, Fused silica, CaF2, Si, Ge, etc.
Diameter:	1-500mm
Diameter tolerance:	+0/-0.05mm
Clear aperture:	> 90% of diameter
Center thickness:	
Thickness tolerance:	+/-0.05mm
Radius:	2 - 50000mm
Radius tolerance:	+/-0.1%
Centration:	30 arc seconds
Surface quality:	20-10 scratch and dig
Power:	0.5 fringe
Irregularity:	0.2 fringe
Coating:	with or without AR coating
Bevel:	Protective bevel

Prev : Double Plano concave lens Next : Plano

[Home](#) | [About us](#) | [Products](#) | [RFQ](#) | [Terms](#) | [News](#) | [Contact us](#)

Add: No. 133, Tianquan Rd, Fuzhou, Fujian China Tel: + 86 591 87303536 Fax: 400 8875666 ext. 456900 Skype: westcoasthk Wechat: 18059763656 Email: