



VLM/VLR-532-100

Green Single-mode Fiber Lasers

NEW PRODUCT



Applications

- ▶ Welding and Cutting of Highly-reflective Metals
- ▶ Semiconductor Wafer Annealing
- ▶ Solar Cell Manufacturing
- ▶ Laser Shows
- ▶ Laser Projectors

Features

- ▶ Wavelength 532 nm
- ▶ Output Power 100 W
- ▶ Beam Quality $M^2 < 1.2$
- ▶ Power Stability $\pm 2\%$
- ▶ Low Power Consumption
- ▶ Linear Polarization $> 100:1$
- ▶ Air- or Water-cooled
- ▶ Compact and Low Cost
- ▶ OEM or End-user Package

IPG Photonics' NEW VLM/VLR-532-100 green fiber laser provides maximum average power of 100 W in a perfectly single-mode output beam. VLM/VLR-532-100 takes advantage of high repetition rate pulsed operation mode to allow for a high-efficiency super compact optical head that does not require any cooling. The laser is both a highly cost-effective, compact OEM module and a user-friendly 19" rack-mounted console. The optical head is connected to a highly-efficient and reliable fiber amplifier, pioneered by IPG. The main console can be air- or water-cooled depending on customer requirements. The result is a rugged, industrial-grade, high-power green fiber laser with unmatched performance and remarkable wall-plug efficiency.

VLM/VLR-532-100

Green Single-mode Fiber Lasers

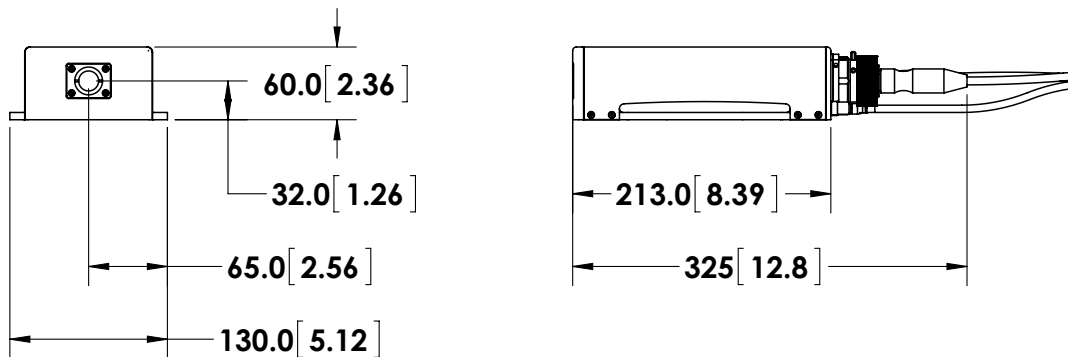
Optical Characteristics

Wavelength, nm	532
Mode of Operation	Pulsed
Repetition Rate, MHz	~30
Average Power, W	100
Power Tunability, %	2-100
Pulse Duration, ns	~1.4
Power Stability*, %	±2
Polarization	Linear, >100:1
Beam Quality, M ²	<1.2

*Over 8 hours, T=const

General Characteristics

General Characteristics	M-AC	M-WC	R-AC	R-WC
Console Dimensions (W × D × H),	264 × 384 × 148	332 × 402 × 54	448 × 502 × 177	448 × 580 × 132
Optical Head Dimensions (W × D × H), mm	105 × 213 × 60			
Cooling	Air-cooled	Water-cooled	Air-cooled	Water-cooled
Supply Voltage	48 VDC		100-120 VAC, 50-60 Hz	
Power Consumption, W	630		700	



+1 (508) 373-1100; sales.us@ipgphotonics.com
 +49 2736 44200; sales.europe@ipgphotonics.com (European Inquiries)

www.ipgphotonics.com

Legal notices: All product information is believed to be accurate and is subject to change without notice. Information contained herein shall legally bind IPG only if it is specifically incorporated into the terms and conditions of a sales agreement. Some specific combinations of options may not be available. The user assumes all risks and liability whatsoever in connection with use of a product or its application. IPG, IPG Photonics, The Power to Transform and IPG Photonics' logo are trademarks of IPG Photonics Corporation. © 2014-18 IPG Photonics Corporation. All rights reserved.

MAX. AVERAGE OUTPUT POWER: 200 W
 MAX. PEAK OUTPUT POWER: 5 kW
 PULSE DURATION: 1.5 ns
 PULSE REPETITION RATE: 2-30 MHz
 WAVELENGTH RANGE: 532, 1064 nm

DANGER - INVISIBLE LASER RADIATION AVOID EYE OR SKIN EXPOSURE TO DIRECT OR SCATTERED RADIATION CLASS 4 LASER PRODUCT

IEC 60825-1:2014

The Power to Transform®