

[SECTORS](#)[PRODUCTS](#)[APPLICATIONS](#)[PARTNERS](#)[NEWS](#)[Contact Us](#)

## VIEWING ANGLE NIR

# VCPROBE-NIR-STG



The VCProbe-NIR-STG is optimized for the analysis of DUTs with an emitting light in NIR. It is designed to precisely measure characteristics of flood illuminators, stereoscopic imaging, structured light illumination components.

Home > Products > Viewing angle nir > **VCProbe-NIR-STG**

## WHAT PURPOSE ?

# OVERVIEW

VCProbe-NIR-STG is ideal to measure small aperture NIR sources and provides an efficient measurement solution for near-infrared sources such as LEDs and lasers.

This system allows a full map within a  $\pm 70^\circ$  viewing angle cone and an excellent angular resolution, with a working distance at 4mm permitting non-contact measurements.

Recommended for 2.5 mm exit pupil emitters.

DXY +/- 1 mm allowance for repeatability better than 1% against position for easy online positioning.

The VCProbe-NIR-STG is calibrated at a wavelength of 940 nm and allows high speed and accurate measurements for applications on R&D as well as mass production/QC.

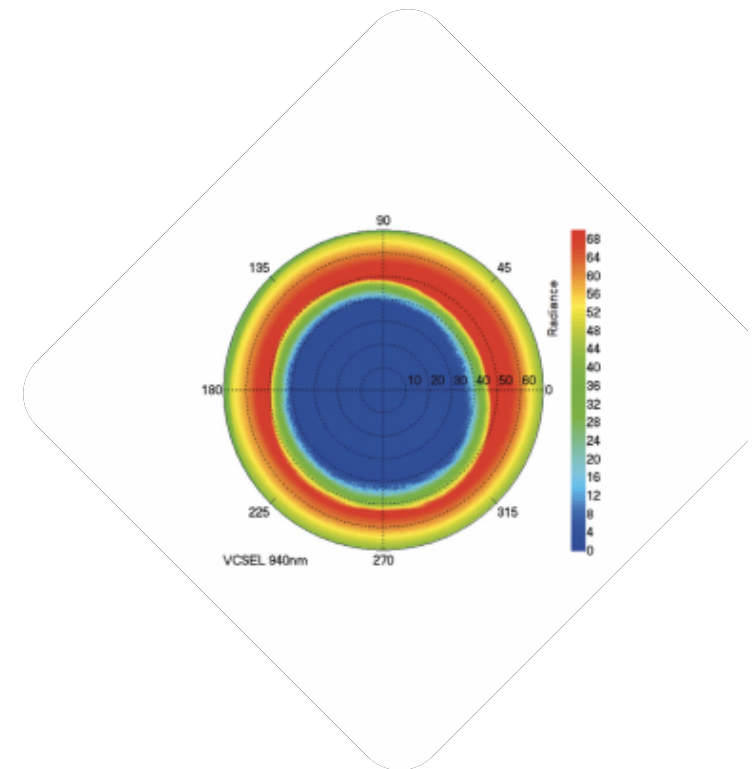
Should you need a similar system for a special project or mass production, we can build a system meeting your requirements.

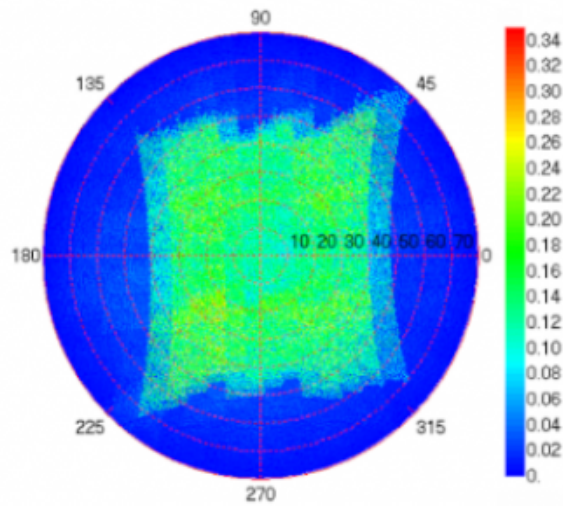
## FEATURES

- ◆ Wavelength calibrated at 940nm

## APPLICATIONS

- ◆ Facial recognition
- ◆ R&D and mass production/QC
- ◆ 3D sensing & Imaging





**MORE DETAILS**

# TECHNICAL FEATURES

Specifications		VCProbe-NIR-STG	
		STG-1	STG-2
<b>Wavelength</b>	Intensity (absolute)	Calibrated at 940 nm(*)	
<b>Viewing Angle</b>	Incident angle Azimuth angle	±70° 0-360°	
<b>Working distance</b>		3.2 mm	4 mm
<b>Performances</b>	Optical resolution	0.05°	

<b>Focus Distance</b>		100mm
<b>Accuracy</b>	Radiance (w/str/m2) Power (watt)	±2% ±1%
<b>Takt time</b>	Exposure time Processing Transfer time	300ms - 30 s Less than 1 s
<b>Using condition</b>	Temperature range Humidity range	10°C to +40°C 0 to 85% non condensing
<b>(*) Other wavelength on request</b>		
<b>Specifications can be changed without notice</b>		

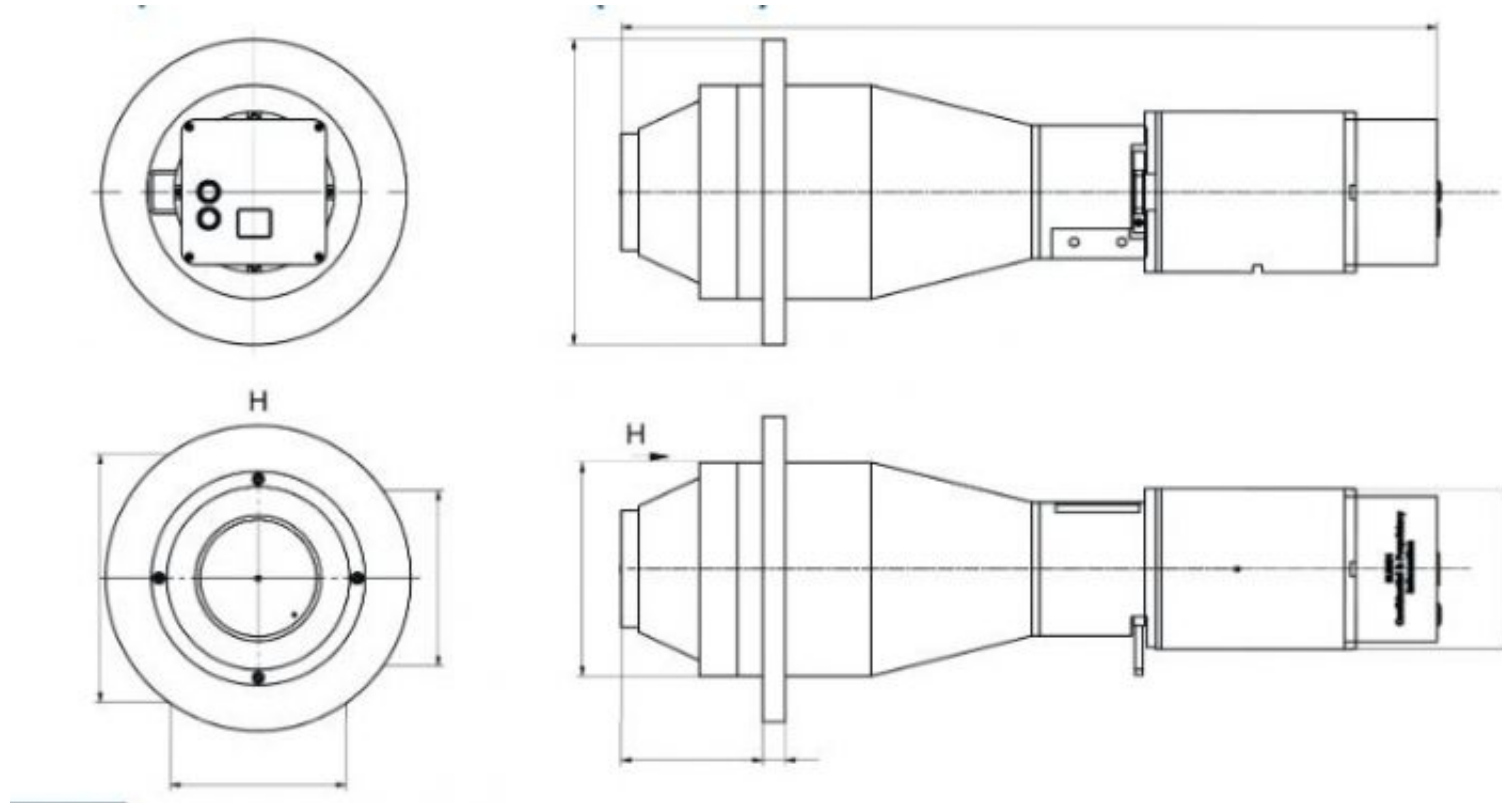
### Options

**NIR emitter pulse synchronization, rate and width measurement**

**Temperature stabilized sensor**

SIZES & PLAN  
**DIMENSIONS**

VCProbe-NIR Outer dimension (unit mm)



WANT MORE ?

# OTHERS NIR PRODUCTS



## VCPROBE-NIR-DSD

The VCProbe-NIR-DSD is specially designed to precisely measure small aperture of NIR sources. This system can measure all kinds of...

[Learn more](#) 



1185 rue d'Epron ancienne  
14200 Hérouville-Saint-Clair  
FRANCE



**Sales :** [sales@eldim.fr](mailto:sales@eldim.fr)

**Support :** [support@eldim.fr](mailto:support@eldim.fr)

**Shipments :** [shipments@eldim.fr](mailto:shipments@eldim.fr)

[RMA](#)

[Discontinued Product List](#)

[Career](#)

[Legals](#)

Copyright © 1992-2019 ELDIM All Rights reserved.