



SECTORS
PARTNERS

PRODUCTS
NEWS

APPLICATIONS

Contact
Us

VIEWING ANGLE NIR
VCPROBE-NIR-DSD



The VCProbe-NIR-DSD is specially designed to precisely measure small aperture of NIR sources. This system can measure all kinds of sources such as LIDAR, Flash LIDAR, Laser Diode and VCSEL.

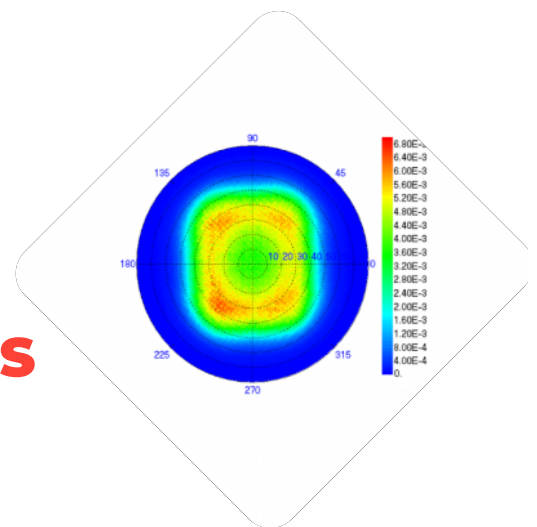
OVERVIEW

The system features contactless measurements that generates, within a single measurement, the viewing angle of $\pm 40^\circ$ that provides an outstanding angular resolution of 0.05° .

It is a system optimized for individual VCSEL and has a Working Distance of 30mm.

The VCProbe-NIR-DSD allows high speed and accurate measurements for applications on R&D as well as mass production/QC.

Should you need a similar system for a special project or mass production, we can build a system meeting your requirements.

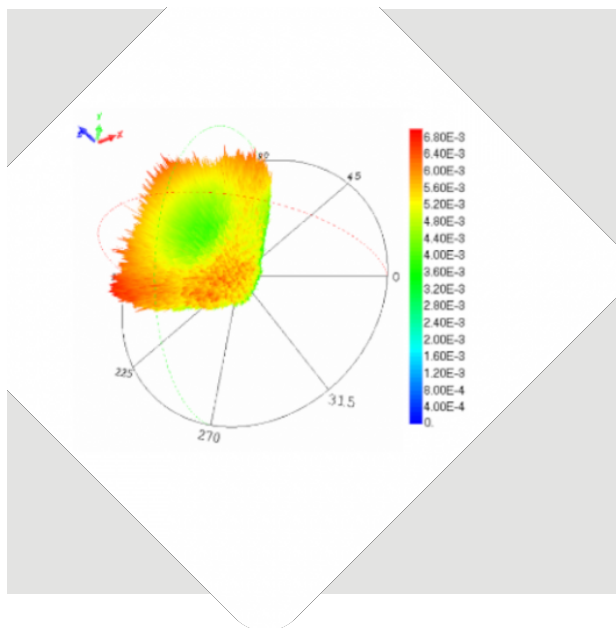


FEATURES

- ◆ Wavelength is calibrated at 850nm, 905nm, 940nm

APPLICATIONS

- ◆ For automotive (self-driving car)
- ◆ For mature and innovative technologies: LIDAR, Flash LIDAR, LASER Diode, VCSEL
- ◆ R&D and mass production/QC
- ◆ For 3D sensing & Imaging



Specifications		VCProbe-NIR-DSD
Wavelength	Intensity (absolute)	Calibrated at 850 nm - 905 nm - 940 nm
Viewing Angle	Incident angle Azimuth angle	±32° 0-360°
Working Distance		40 mm
Performances	Optical resolution Linearized data	0.03° 2801*2801
Iris Size	Optimized for sample of	0.5mm / 1mm / 2.5mm
Focus Distance		1000mm
Accuracy	Radiance (w/str/m2) Power (watt)	±2% ±1%
Takt time	Exposure time Processing Transfer time	300ms - 30s Less than 1 s
Using condition	Temperature range Humidity range	10°C to +40°C 0 to 85% non condensing
Specifications can be changed without notice		

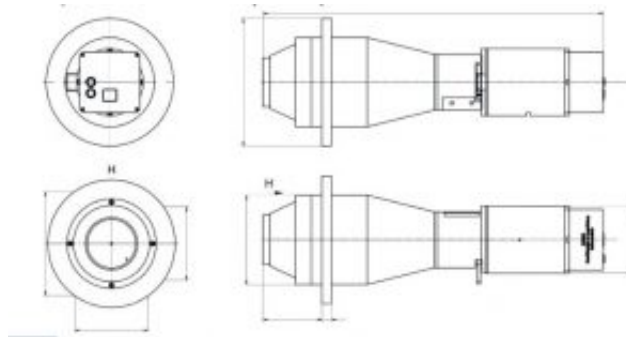
Options

NIR emitter pulse synchronization, rate and width measurement

Temperature stabilized sensor

Viewing spot for automated positioning

DIMENSIONS





VCPROBE-NIR-STG

The VCProbe-NIR-STG is optimized for the analysis of DUTs with an emitting light in NIR. It is designed to precisely...

[Learn more](#) 



ELDIM

Sales : sales@eldim.fr

[RMA](#)

Support : support@eldim.fr

[Discontinued Product List](#)

1185 rue d'Epron ancienne
14200 Hérouville-Saint-Clair
FRANCE

Shipments : shipments@eldim.fr



[Career](#)

[Legals](#)

Copyright © 1992-2019 ELDIM All Rights reserved.