





(<https://www.hanovia-uv.com>)

 973-651-5510 (tel:973-651-5510) |  sales@hanovia-uv.com (mailto:sales@hanovia-uv.com)

Our Products

Our Products

- » [UV Curing Lamps \(https://www.hanovia-uv.com/uv-lamps/\)](https://www.hanovia-uv.com/uv-lamps/)
- » [UV Curing Assemblies \(https://www.hanovia-uv.com/uv-curing-assemblies/\)](https://www.hanovia-uv.com/uv-curing-assemblies/)
- » [UV Radiometer \(https://www.hanovia-uv.com/uv-radiometer/\)](https://www.hanovia-uv.com/uv-radiometer/)
- » [Conveyorized Ultraviolet Systems \(https://www.hanovia-uv.com/conveyorized-uv-system/\)](https://www.hanovia-uv.com/conveyorized-uv-system/)
- » [Photochemical Systems \(https://www.hanovia-uv.com/photochemical-systems/\)](https://www.hanovia-uv.com/photochemical-systems/)
- » [Power Supplies \(https://www.hanovia-uv.com/power-supplies/\)](https://www.hanovia-uv.com/power-supplies/)
- » [Water Purifier \(https://www.hanovia-uv.com/water-purifier/\)](https://www.hanovia-uv.com/water-purifier/)
- » [Room Air Sanitizer \(https://www.hanovia-uv.com/room-air-sanitizer/\)](https://www.hanovia-uv.com/room-air-sanitizer/)
- » [Luxor Lamp \(https://www.hanovia-uv.com/luxor-lamp/\)](https://www.hanovia-uv.com/luxor-lamp/)



Water Purifier

Ultraviolet/Germicidal water purification systems

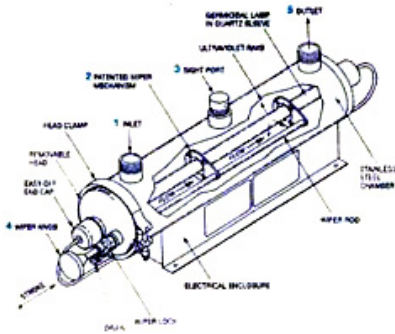
Ultraviolet/Germicidal water purification systems from Hanovia...

...provide a fast, unique way to disinfect water without heat or chemicals. Using short-wave radiation from Hanovia germicidal ultraviolet lamps, STERITRON purifiers destroy all water-borne microorganisms, including bacteria and viruses. Hanovia germicidal lamps are found in a variety of applications, including personnel protection and prevention and prevention of cross infection in hospitals, laboratories and veterinary facilities and product contamination prevention in the food processing, pharmaceutical, bottling, electronics and semiconductor industries.

How the system operates:

Ok

- Water enters purifier and flows into annular space between quartz sleeve and outside chamber wall.
- Wiper segments induce turbulence in flowing liquid to ensure uniform exposure of suspended microorganisms to lethal ultraviolet rays.
- Translucent sight port provides positive indication of germicidal lamp operation
- Wiper assembly facilitates periodic cleaning of quartz sleeve without disassembly or interruption of purifier operation.
- Water leaves purifier ready for use instantly.



Simple installation and maintenanceHow the system operates:

- Install purifier as close as possible to the location in which it is to be used.
- Connect inlet and outlet to water supply.
- Plug into grounded electrical outlet.
- Maintain by cleaning quartz sleeve with manual wiper once every month – more frequently where indicated by application conditions.
- Recommended lamp replacement: Once every 10,000 hours of operation (approximately 14 months of continuous operation).

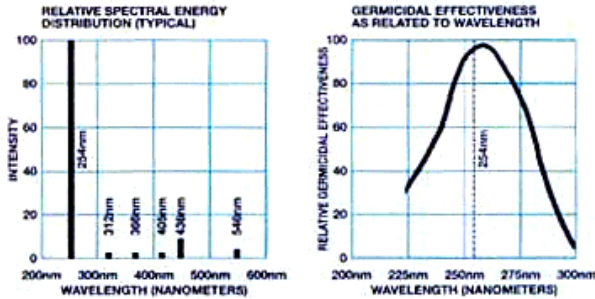
HANOVA ultraviolet/germicidal lamp specifications:

STERITRON water purifiers deliver optimum performance when equipped with the following specially designed HANOVA lamps. These HANOVA low-pressure type lamps produce the germicidal rays needed for water purification with maximum efficiency and the added benefit of low power requirements. These lamps eliminate the possibility of overheating and the need for special equipment to deal with overheating.

Lamp No.	Purifier Model No.	Nominal Lamp Length	Power Consumption (1)	Ultraviolet Output (2)	Rated Effective Life
9009A481	31946.001	8 15/16" (227mm)	10 Watts	2.4 Watts	10,000 Hrs
9012A481	31946.101	11 7/8" (302mm)	14 Watts	3.7 Watts	10,000 Hrs
9018A481	31946.201	17 3/4" (451mm)	20 Watts	6.5 Watts	10,000 Hrs

9034A481	31946.301	33 7/8" (860mm)	39 Watts	14 Watts	10,000 Hrs
9046A481	31946.401	45 7/8" (1165mm)	50 Watts	19.3 Watts	10,000 Hrs
9047A481	31946.501	46 1/4" (1175mm)	110 Watts	45 Watts	10,000 Hrs

- o Wattage is lamp watts only and does not include ballast loss.
- o Maximum rated output at 254 nanometers.



Organism	Type	Ailment/Symptom	**mu**Wsec/cm2
Streptococcus	Bacteria	Strep Throat	3,800
Dysentery Bacilli	Bacteria	Diarrhea	4,200
Influenza	Virus	Flu	6,600
Staphylococcus	Bacteria	Boils	6,600
Fecal Coliform	Bacteria	Diarrhea	6,600
Salmonella	Bacteria	Food Poisoning	10,000
Legionella Pneumophila	Bacteria	Legionnaires' Disease	12,300
Bacteriophage(E. Coli)	Virus	Diarrhea	6,600

Lethal Exposure Times:

- o The dosage necessary to inactivate a microorganism is a product of time and intensity.
- o When used as directed, STERITRON purifiers will provide a dosage in excess of 30,000 microwatt seconds per square centimeter (**mu**Wsec/cm2).
- o Ultraviolet energy at 254nm is required for complete destruction of some microorganisms.

Standard Model Specifications:

We use cookies to ensure that we give you the best experience on our website. If you continue to use this site we will assume that you are happy with it.											
Model	GPM	GPH	Inlet and (5) Outlet Size Inlet and (5)	Replacement Lamp(s)	Power(6) Consumption Power(6)	Length	Width	Height	Gross Wt.	Net Wt.	Cu. Ft.
31946.001	2	120	1/2" NPT	9009A481	14 Watts	16	5 1/2"	8	10	7	1.1

						3/8"		5/16"	lbs.	lbs.	
31946.101	3	180	3/4" NPT	9012A481	18 Watts	19 3/8"	5 1/2"	8 3/16"	11 lbs.	8 lbs.	1.2
31946.201	6	360	3/4" NPT	9018A481	24 Watts	25 3/8"	5 1/2"	8 3/16"	16 lbs.	11 lbs.	1.5
31946.301	12	720	1" NPT	9034A481	44 Watts	39 3/4"	5 1/2"	8 3/16"	27 lbs.	20 lbs.	3.3
31946.401	20	1,200	1 1/2" NPT	9046A481	54 Watts	52 3/8"	5 1/2"	8 3/16"	35 lbs.	26 lbs.	4.3
31946.501	40	2,400	2" NPT	9047A481	140 Watts	50"	8"	13"	51 lbs.	38 lbs.	7.5
31946.601 (1)	83	5,000	2" NPT	9047A481 (2 Lamps)	280 Watts	50"	22"	16"	116 lbs.	85 lbs.	15
31946.701 (2)	166	10,000	2" NPT	9047A481 (4 Lamps)	560 Watts	50"	22"	33"	267 lbs.	174 lbs.	37
31946.801 (3)	250	15,000	2" NPT	9047A481 (6 Lamps)	840 Watts	50"	22"	50"	400 lbs.	263 lbs.	57
31946.901 (4)	333	20,000	2" NPT	9047A481 (8 Lamps)	1,120 Watts	50"	22"	67"	534 lbs.	352 lbs.	77

- Two 31946.501s connected in series, 1 inlet and 1 outlet.
- Two 31946.601s connected in parallel, 2 inlets and 2 outlets.
- Three 31946.601s connected in parallel, 3 inlets and 3 outlets.
- Four 31946.601s connected in parallel, 4 inlets and 4 outlets.
- All inlets and outlets are male pipe threads.
- Total power consumption, including ballast loss
 - Maximum recommended operating pressure for all purifiers is 100 PSI
 - Pressure drop at maximum recommended flow rate is 5 PSI or less
 - All data shown above are for 118 volt 60 Hz. Units are also available for 220 volt 50 Hz and 12 volt DC operation.

Steritron water purification systems give you all these benefits:

- STERITRON disinfection is lethal to all microorganisms.
- Effluent is guaranteed to exceed United States Public Health Standards for bacterial purity.
- Economically purifies hundreds of gallons of water for each penny of operating costs.
- Safe operation with no danger of overdosing and no addition of dangerous chemicals.
- No chlorine taste.
- Easy installation and simple maintenance.
- Space-saving compact units.
- Choice of continuous or intermittent disinfection automatically.
- Water ready for use the instant it leaves the purifier.
- Corrosion free stainless steel cylinder, head, clamp and hardware. If you continue to use this site we will assume that you are happy with it.
- Easy-off retainer cap for quick lamp change with no tools, water pressure shutdown or draining of tank.
- Simple disassembly.

Ok

- No special tools needed if repairs become necessary.

HANOVIA Specialty Lighting LLC

6 Evans Street Fairfield, NJ 07004

Voice: 973-651-5510

Facsimile: 973-651-5550

E-mail: sales@hanovia-uv.com (<mailto:sales@hanovia-uv.com>)



For Printed Circuit Board Imaging Visit
<http://colight-UV.com> (<http://colight-uv.com/>)

Dealer/Agents Wanted **UV Products** Western - Eastern
Europe & UK - **Email (<mailto:jsandrews@hanovia-uv.com>)**



(<https://www.facebook.com/Hanovia-456391225856076/>)



(<https://www.linkedin.com/company/123456391225856076/>)

Home (<https://www.hanovia-uv.com/>)

About Us (<https://www.hanovia-uv.com/about-us/>)

Products (<https://www.hanovia-uv.com/products/>)

Glow in the Dark Systems (<https://www.hanovia-uv.com/glow-in-dark-systems/>)

Agent Locator (<https://www.hanovia-uv.com/agent-locator/>)

Contact Us (<https://www.hanovia-uv.com/contact-us/>)



Copyright © 2018 Hanovia-uv.com (<https://hanovia-uv.com/>), All Rights Reserved. | [Legal Disclaimers](https://www.hanovia-uv.com/legal-disclaimers/)
(<https://www.hanovia-uv.com/legal-disclaimers/>)

We use cookies to ensure that we give you the best experience on our website. If you continue to use this site we will assume that you are happy with it.

Ok