

- 25, 28, 50 and 60 mm travel
- 10 kg load capacity
- Available with a micrometer head
- Stages without a manual micrometer require a T-NA08, T-LA, or an NA11

Product Description

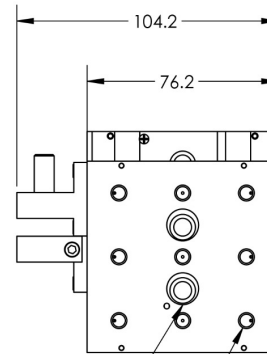
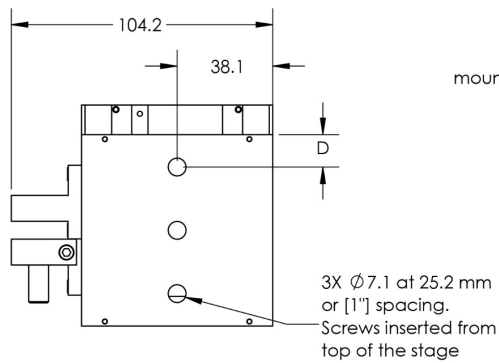
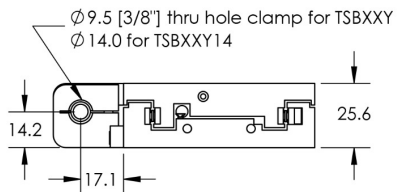
Zaber's TSB Series of translation stages are ball bearing linear stages with 28 mm or 60 mm of travel. They are compatible with our T-NA Series micro linear actuators, T-LA Series miniature linear actuators, and our NA11 Series stepper linear actuators and can be used in XY stage configuration.

The versions with manual micrometer heads have 25 mm or 50 mm of travel and 0.01 mm resolution. They can also be mounted directly in XY configuration or XYZ configuration with an AB90E (imperial) angle bracket or an AB90M (metric) angle bracket.

Dimension Drawings

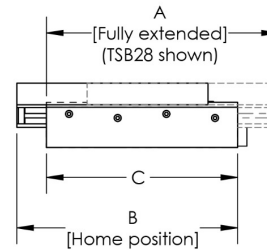
Model Number*	Travel	A	B	C	D
TSB28	28.0	92.4	88.0	76.2	12.9
TSB60	60.0	126.2	101.6	25.2	

*See product page for complete list of available models at www.zaber.com



TSB28: 2X $\phi 12.7$
 TSB60: 3X $\phi 12.7$
 mounting screw access holes

TSB28: 9X M6X1.0 or [1/4"-20]
 TSB60: 12X M6X1.0 or [1/4"-20]
 at 25 mm or [1"] grid spacing



Product Specifications

Specification	Value	Alternate Unit
Microstep Size (Default Resolution)	10 μm	
Travel Range	50 mm	1.969 "
Maximum Centered Load	100 N	22.4 lb
Maximum Cantilever Load	125 N $\cdot\text{cm}$	177.0 oz $\cdot\text{in}$
Guide Type	Ball bearing	
Motor Type	None	
Axes of Motion	1	
Mounting Interface	M6 threaded holes	
Vacuum Compatible	No	
Operating Temperature Range	0 to 75 $^{\circ}\text{C}$	
RoHS Compliant	Yes	
CE Compliant	Yes	
Weight	0.72 kg	1.587 lb