

# LED Tri-proof Light

Top AC Entry Function

## Features

- High energy efficiency light source and constant current output design greatly improve the fixture's lifespan.
- Integrated streamline tube structure makes the light more even and soft. The internal light used anti seismic materials and damping structure to keep work long time in various high frequency and strong vibrations places.
- Protection Grade: waterproof IP65.
- The perfect heat dissipation and low temperature design for the whole light fixture helping to reduce the working error probability.
- **Top AC Entry(Cable from the back) Function.**

## Pictures



## Specifications for 10w-60w:

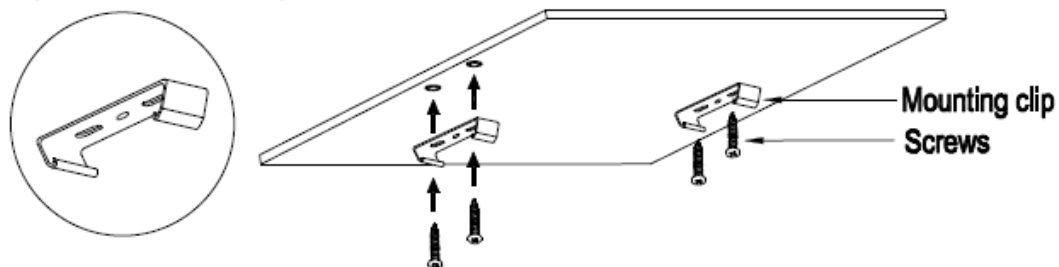
Model No.	XP-PL3010	XP-PL3020	XP-PL3030	XP-PL3040	XP-PL3050	XP-PL3060
Power	10W	20W	30W	40W	50W	60W
Product Size	300*124*43mm	640*124*43mm	1200*124*43mm	1200*124*43mm	1500*124*43mm	1500*124*43mm
LED Chip	SMD2835	SMD2835	SMD2835	SMD2835	SMD2835	SMD2835
Input Voltage	AC85-265V	AC85-265V	AC85-265V	AC85-265V	AC85-265V	AC85-265V
Frequency	50/60Hz	50/60Hz	50/60Hz	50/60Hz	50/60Hz	50/60Hz
PF	0.9	0.9	0.9	0.9	0.9	0.9
LED Qty	72pcs	120pcs	216pcs	240pcs	336pcs	480pcs
Efficiency	100lm/w	100lm/w	100lm/w	100lm/w	100lm/w	100lm/w
LED Luminous Flux	1000lm(CW)	2000lm(CW)	3000lm(CW)	4000lm(CW)	5000lm(CW)	6000lm(CW)
	960lm(NW)	1960lm(NW)	2960lm(NW)	3960lm(NW)	4960lm(NW)	5960lm(NW)
	900lm(WW)	1900lm(WW)	2900lm(WW)	3900lm(WW)	4900lm(WW)	5900lm(WW)
CCT	5800-6100K(CW), 4000-4200K(NW), 3000-3150K(WW)					
CRI	Ra>80					
LED Node Temperature	55°C					
Operation Temperature	-20-45°C					
Storage Temperature	-25-50°C					
IP Grade	IP65					
Color Tolerance	5SDCM					
LED Lifespan	50,000Hours					
Driver	Build-in					
Top AC Entry Function	Cable from the back					
Beam Angle	120°					
Housing color optional: White / Black / Silver / Gold						
Installation Available: Surface mouted installations & Suspended installations(Optional)						
<b>Certificates: CE &amp; RoHS &amp; SAA &amp; PSE</b>						

## Installation Notes

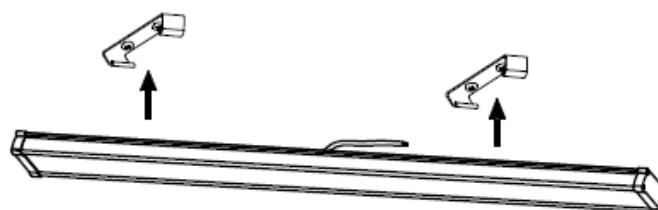
1. Turn off power switches.
2. Drill four ø8mm holes according to the cutting size instructed.
3. Put plastic steel cork into the cutting holes properly.
4. Lock the claps onto the ceiling with self-taping screws.
5. Put the lamp into the claps properly.
6. Assure the power cable is properly connected to the electric supply.
7. Check accuracy, and then turn on the power for use.

## Option 1: Ceiling Type Installation

1. Drill 8mm cutting holes, put plastic plug and lock the clips on the ceiling with self-taping screws.



2. Put the lamp into the clips properly

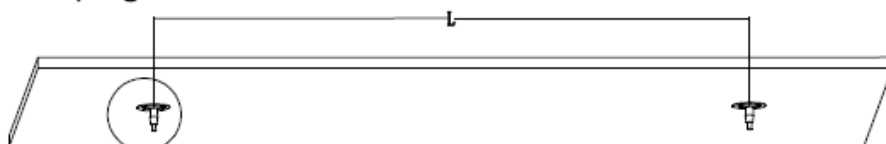


3. Connect to the power with AC100-277V

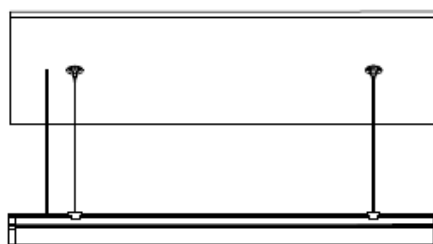
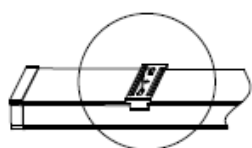


## Option 2: Hoisting Type Installation

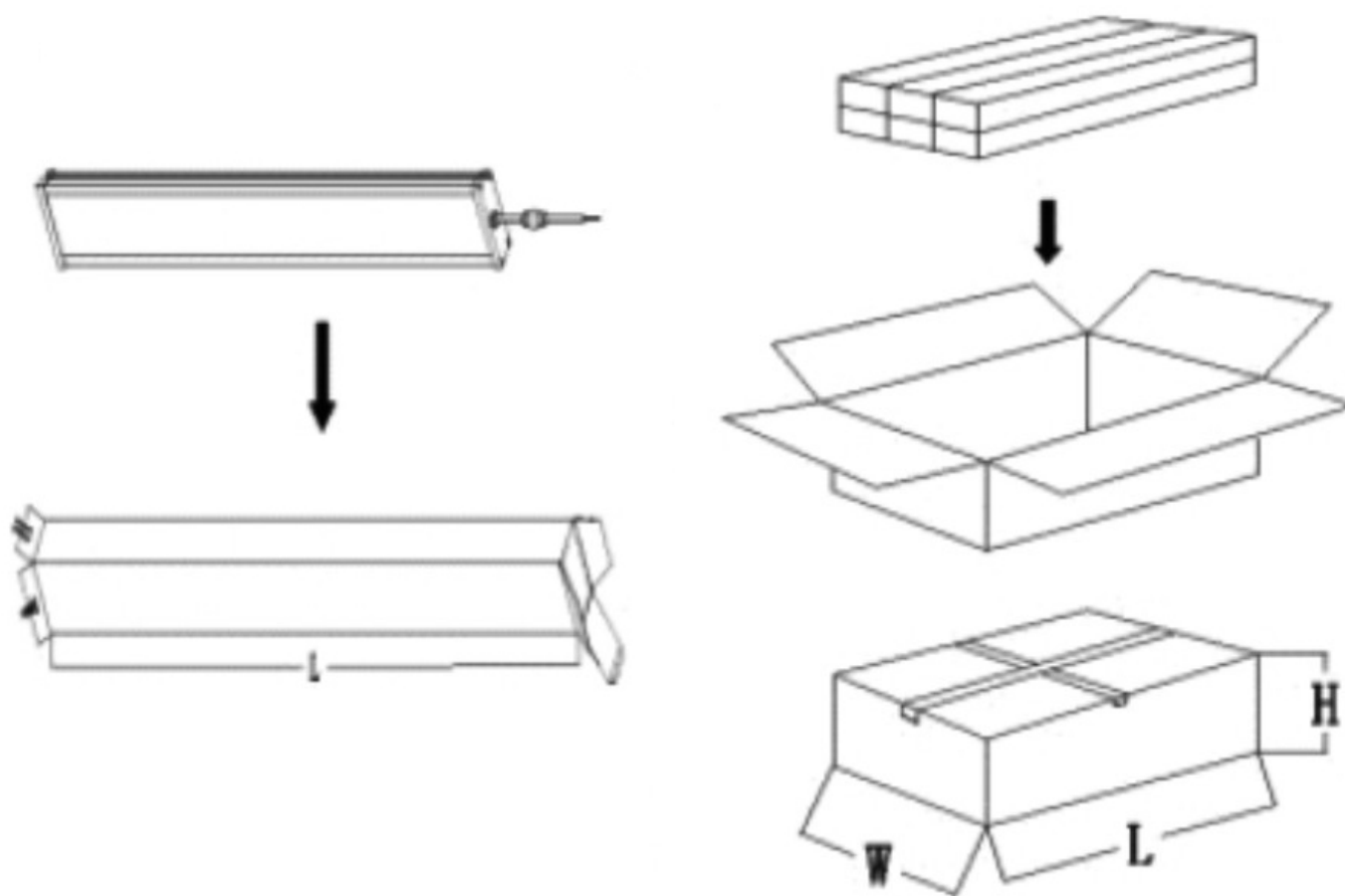
1. Drill 8mm cutting holes, put plastic plug and lock the clips on the ceiling with self-taping screws.



2. Hang the lamp with lifting role and clip and then connect to the power with AC 100-277V



## Packing



Model No.	GW/pcs	Qtys/Ctn	GW/Ctn	Innerbox Size	Ctnbox Size
XP-PL3010	0.8kg	12pcs	10.5kg	34.5*13.5*5cm	70.5*28.5*16.5cm
XP-PL3020	1.5kg	6pcs	9.5kg	69*13.5*5cm	70.5*28.5*16.5cm
XP-PL3030	2.5kg	6pcs	17kg	125*13.5*5cm	132.5*28.5*16.5cm
XP-PL3040	2.5kg	6pcs	17kg	125*13.5*5cm	132.5*28.5*16.5cm
XP-PL3050	3.2kg	6pcs	21kg	155*13.5*5cm	162.5*28.5*16.5cm
XP-PL3060	3.2kg	6pcs	21kg	155*13.5*5cm	162.5*28.5*16.5cm

## Application

Applications: indoors and semi-outdoors

Factory (Food processing factory/Shed/ Warehouse/Livestock farm)

Sports Center (Gym/ Swimming pool/Changing room)

Commercial (Supermarket/Shops/Exhibition hall)

Public Service (Parking place/ Walkway/Tunnel/Basement/Metro/Train&Bus& Railway station/ Airport/ Library/School)