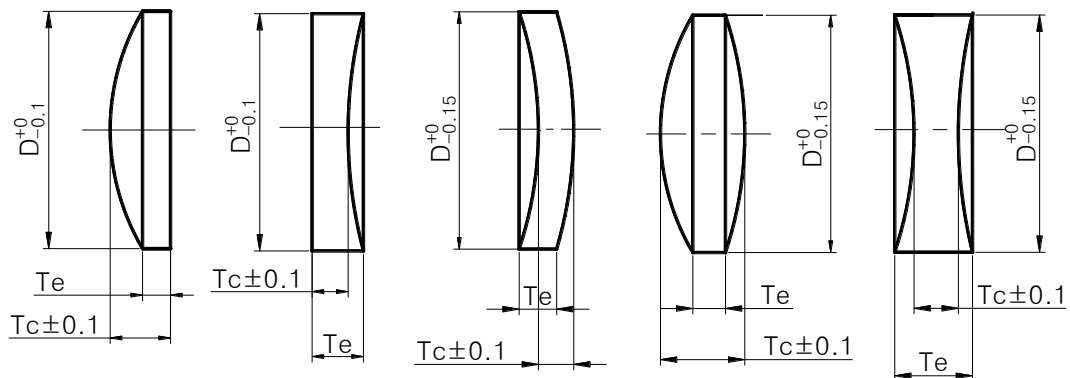




## Singlet Lenses



### Specifications:

1. Material: H-K9L or Fused Silica
2. Surface Quality: 20/10 Precision  
40/20 Standard
3. Surface Accuracy:  $\Delta N < \lambda/4 @ 633\text{nm}$  Precision  
 $\Delta N < \lambda/2 @ 633\text{nm}$  Standard
4. Focal Length Tolerance:  $\pm 1\%$
5. Centration:  $< 3$  arc min
6. Clear Aperture:  $> 90\%$  Diameter

### ● Product Code:

Type Code+Material-Size-Surface Quality-Surface Accuracy-Centration-R-R2-R3-Coating

Type Code:

1. Plano-Convex Lenses-LPX
2. Plano-Concave Lenses-LPV
3. Meniscus-LMS
4. Bi-Convex Lenses-LBX
5. Bi-Concave Lenses-LBV

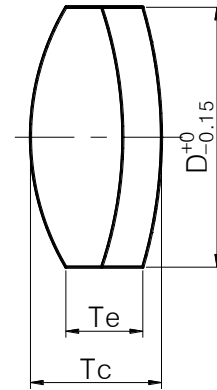


## Achromatic Doublet Lenses

### Specifications:

#### Precision Achromatic Doublet Lenses

1. Material: Optical crown and flint glasses or equivalent
2. Surface Quality: 40/20
3. Surface Accuracy:  $\Delta N < \lambda/4 @ 633\text{nm}$
4. Focal Length Tolerance:  $\pm 2\%$
5. Centration:  $< 3$  arc min
6. Clear Aperture:  $>$  central 90% of diameter



Achromatic Lenses

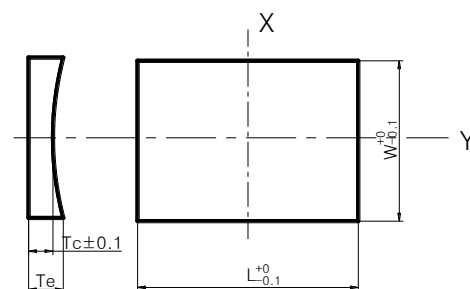
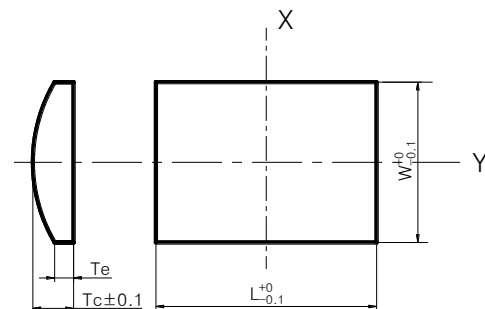
- Product Code:

LAM+Material(1+2)-Size-Surface Quality-Surface Flatness N-focal length f-Coating

## Cylindrical Lenses

### Specifications:

1. Material: H-K9L or Fused Silica
2. Surface Quality: 40/20
3. Surface Accuracy:  $< 1\lambda$  irregularity in Y axis @ 633nm
4. Focal Length Tolerance:  $< 1\%$
5. Centration:  $< 3$  arc min
6. Centration Thickness( $T_c$ ):  $\pm 0.2\text{mm}$
7. Clear Aperture:  $>$  central 80% of diameter



- Product Code:

LCX(LCV)+Material-Size-Surface Quality-Surface Accuracy-Centration-R1-R2-Coating

Plano-Convex Cylindrical Lenses-LCX

Plano-Concave Cylindrical Lenses-LCV