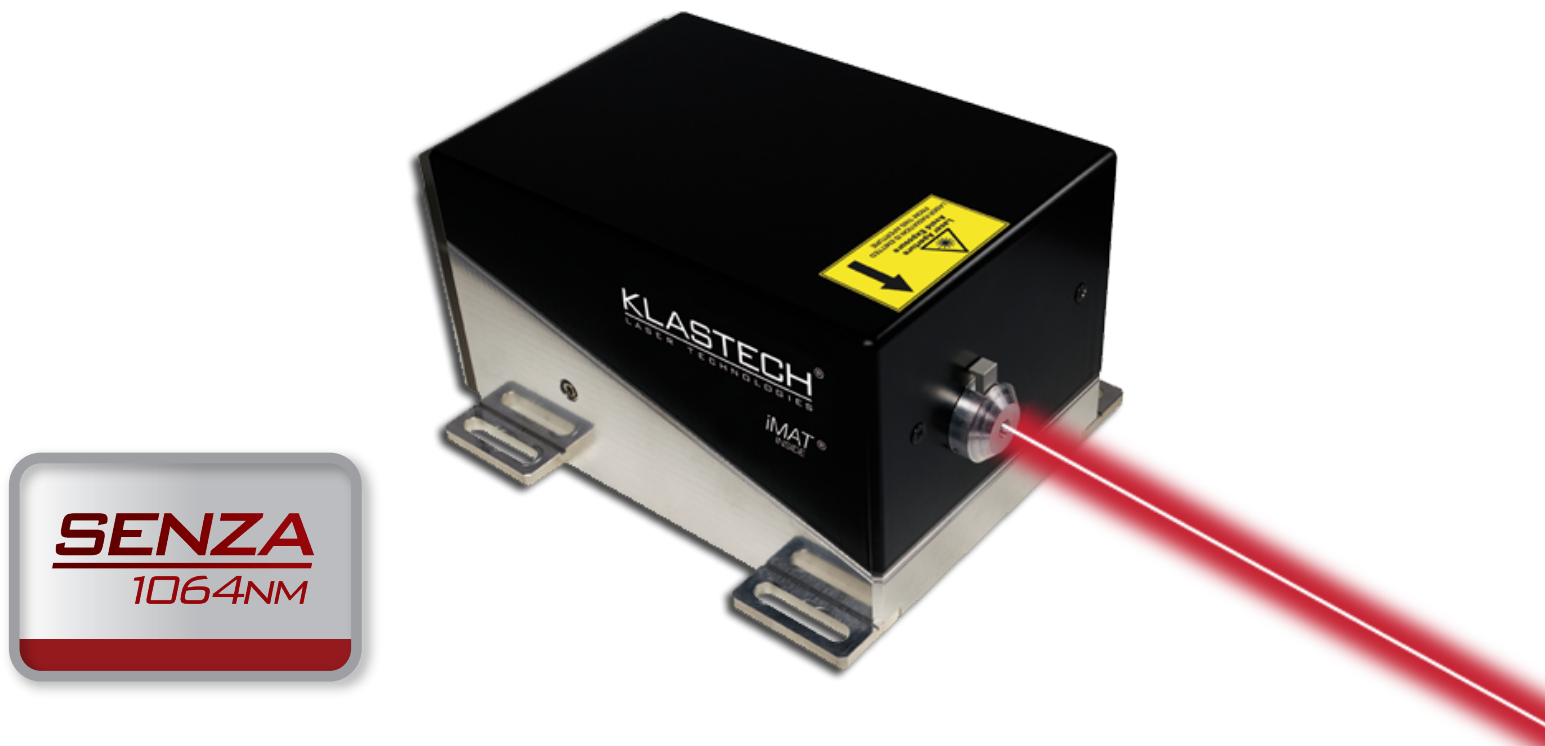


KLASTECH[®]
a PowerTechnology Company

Senza[®] 1064nm

Infrared DPSS Laser
with *Pitch Perfect* German Engineering



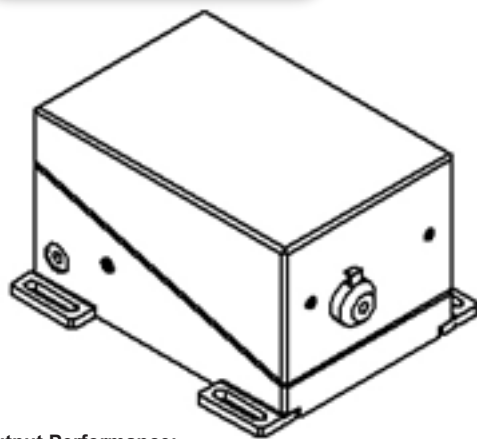
The Senza[®] series of lasers from KLA TECH[®] are 1064 nm diode pumped solid state DPSS lasers (DPSS solid state laser systems) that emit single frequency IR laser light at 1064 nm .

These systems produce inherently single longitudinal mode output and industry leading optical performance from a compact, stable design platform.

Applications include NDT, Raman spectroscopy, IR imaging, remote sensing and interferometry.

REST OF WORLD:
KLASTECH GmbH
www.klastech.com
+49 231 999 505 50
info@Klastech.com

AMERICAS:
Power Technology, Inc.
www.PowerTechnology.com
+1 501 407 0712
sales@PowerTechnology.com



Features

- Intrinsic single longitudinal mode performance
- Ultra-long coherence length
- Diffraction limited beam quality
- Scalable, compact design

Applications

- NDT
- Raman spectroscopy
- IR imaging
- Remote sensing
- Interferometry

Output Performance:

| | |
|--------------------------------|---|
| Output wavelength (nm) | 1064nm |
| Rated output power (CW) | 500mW & 1000mW |
| Output beam diameter | 0.7mm (± 0.2) @ 10mm 1/e ² |
| Transverse mode structure | TEM M ² < 1.05 |
| Longitudinal mode structure | SLM (Single frequency) |
| Divergence | <1mrad ½ angle |
| Beam pointing stability | ≤ 10 rad / C° |
| Spectral linewidth | <1MHz |
| Coherence length | >100m |
| Polarisation | Vertical |
| Polarisation ratio | ≥ 100: 1 |
| Output power noise (p-p) | ≤ 2% (10 Hz - 2MHz) |
| Output power noise (rms) | ≤ 0.3% (10 Hz - 2MHz) |
| Output power stability | ≤ 2% (4 hours) |
| Thermal management | TEC conductive cooling through metal heat sink plate |
| Operating fixation plate temp. | 15 - 35 C° |
| Compatible controller | LC-3/40-xx |
| Power interface | Standard AC/DC converter, 12VDC, 140W with Mini-DIN 4 power connector |

