

C-Mount

High Power Multi-Mode SemiNex Lasers
Up to 6.2 watts CW Power
1310, 1380, 1450, 1470, 1532, and 1550 nm
Custom Wavelengths Available
Lensed Options Available

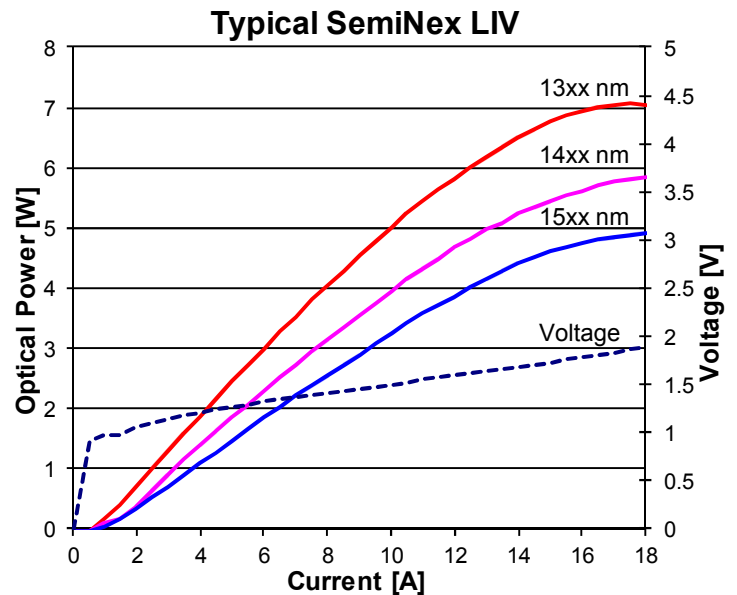
Features

- High output power
- High dynamic power range
- High efficiency
- Standard Low Cost Package

Applications

- Medical laser equipment
- LIDAR
- Free Space Optical Communication
- DPSS pump lasers
- Military / Aerospace

SemiNex delivers the highest available power at infrared wavelengths between 13xx and 17xx nm. When necessary we will further optimize the design of our InP laser chips to meet our customers' specific optical and electrical performance needs. Diodes, bars and packages are tested to meet customer and market performance demands. Typical results and packaging options are shown. Contact SemiNex for additional details or to discuss your specific requirements





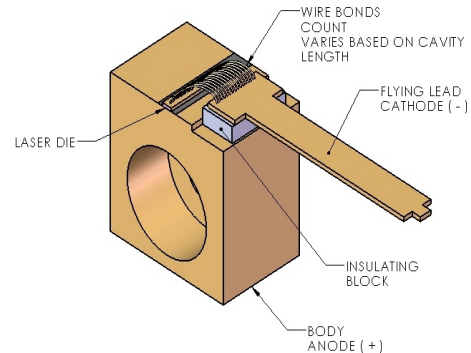
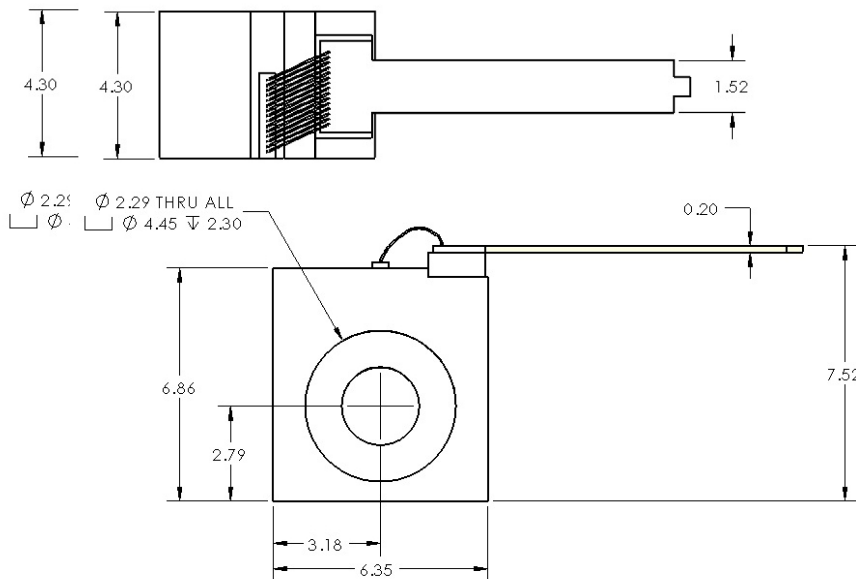
C-Mount



	Symbol	C-130	C-124	C-128	C-106	C-126	C-109	C-116	C-119	Units
Optical										
Wavelength	λ_c	1310	1380	1450	1470	1510	1532	1550	1575	nm (± 20)
Output power (CW)	P_o	6.2	6.2	5.0	5.0	4.2	4.2	4.2	3.2	watts
Chip Cavity Length	CL	2500	2500	2500	2500	2500	2500	2500	2500	μm
Emitter Width	W	95	95	95	95	95	95	95	50	μm
Emitter Height	H	1	1	1	1	1	1	1	1	μm
Spectral Width	$\Delta\lambda$	15	15	15	15	15	15	15	15	nm 3dB
Slope Efficiency	η_o	0.5	0.5	0.4	0.4	0.4	0.35	0.35	0.4	W/A
Fast Axis Div.	θ_{perp}	28	28	28	28	28	28	28	28	deg FWHM
Slow Axis Div.	θ_{parallel}	9	9	9	9	9	9	9	9	deg FWHM
Electrical										
Power conversion Eff.	η	0.27	0.27	0.21	0.21	0.21	0.18	0.18	0.17	%
Threshold Current	I_{th}	0.45	0.45	0.45	0.45	0.45	0.45	0.45	0.45	A
Operating Current	I_{op}	13	13	14	14	14	14	14	9.5	A
Operating Voltage	V_{op}	1.8	1.8	1.7	1.7	1.7	1.7	1.7	1.96	V
Series Resistance	R_s	0.05	0.05	0.05	0.05	0.05	0.05	0.05	0.15	ohm
Mechanical										
Weight		1.4	1.4	1.4	1.4	1.4	1.4	1.4	1.4	g
Operating Temp.		10 to 30	10 to 30	10 to 30	10 to 30	10 to 30	10 to 30	10 to 30	10 to 30	$^{\circ}\text{C}$
Storage Temp.		-20 to 80	-20 to 80	-20 to 80	-20 to 80	-20 to 80	-20 to 80	-20 to 80	-20 to 80	$^{\circ}\text{C}$

Specified values are rated at a constant heat sink temperature of 20°C

*Fast Axis Divergence can be changed with lens option.



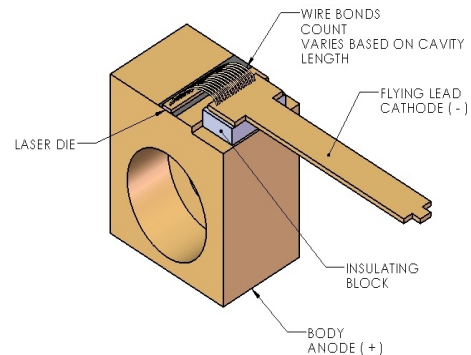
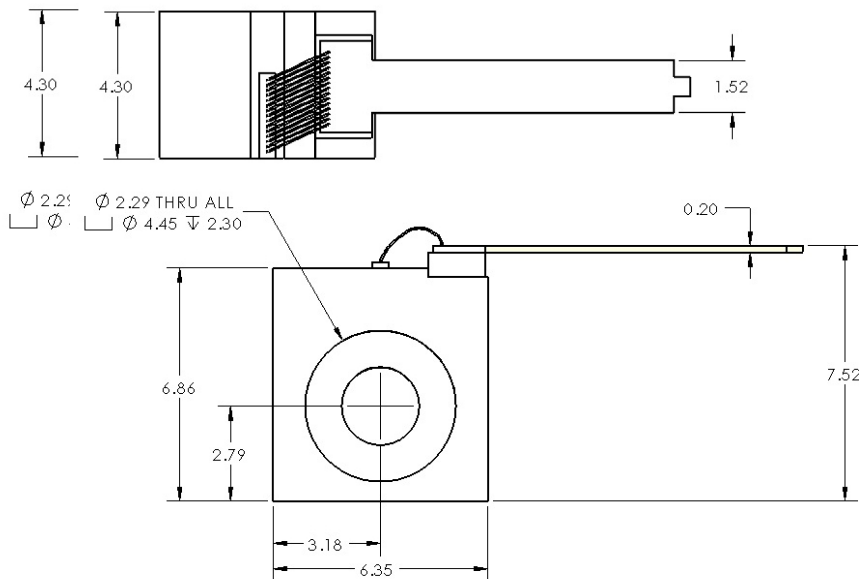


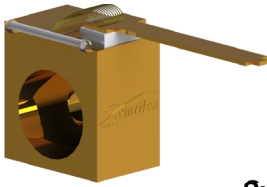
C-Mount Single Mode



	Symbol	C-125	C-121	C-123	C-131	Units
Optical						
Wavelength	λ_c	1310	1550	1625	1650	nm (± 20)
Output power (CW)	P_o	800	600	450	450	mW
Emitter Width	W	5	4	4	4	μm
Emitter Height	H	1	1	1	1	μm
Spectral Width	$\Delta\lambda$	15	15	15	15	nm 3dB
Slope Efficiency	η_o	0.5	0.3	0.3	0.3	W/A
Fast Axis Diverg.	θ_{perp}	30	30	30	30	deg FWHM
Slow Axis Diverg.	θ_{parallel}	13	13	13	13	deg FWHM
Electrical						
Power conversion Eff.	η	17	11	11	9	%
Threshold Current	I_{th}	50	50	50	50	mA
Operating Current	I_{op}	1.7	1.8	1.8	1.6	A
Operating Voltage	V_{op}	2.7	3.1	3.1	3.0	V
Series Resistance	R_s	1.0	1.2	1.2	1.4	ohm
Mechanical						
Weight		1.4	1.4	1.4	1.4	g
Operating Temp.		10 to 30	10 to 30	10 to 30	10 to 30	$^{\circ}\text{C}$
Storage Temp.		-20 to 80	-20 to 80	-20 to 80	-20 to 80	$^{\circ}\text{C}$

Specified values are rated at a constant heat sink temperature of 20°C



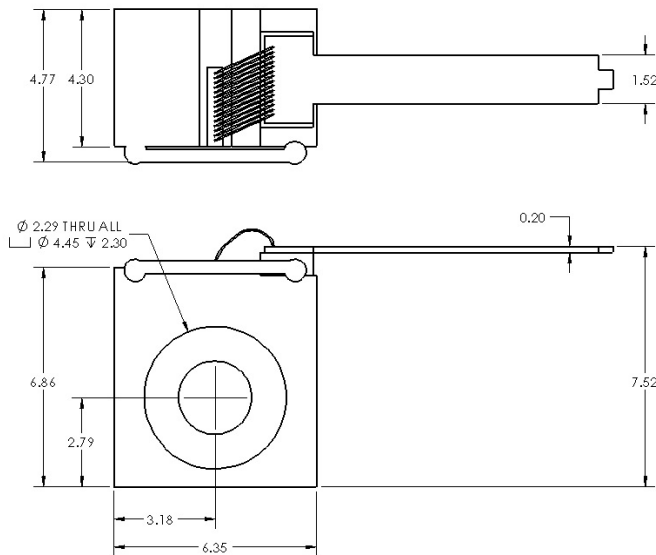


C-Mount with Lens

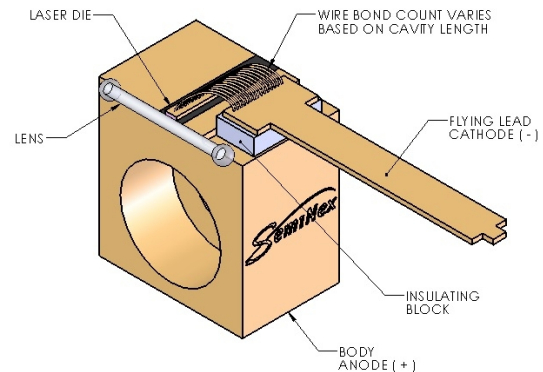


	Symbol	C-130-108	C-124-108	C-128-108	C-106-108	C-126-108	C-109-108	C-116-108	Units
Optical									
Wavelength	λ_c	1310	1380	1450	1470	1510	1532	1550	nm (± 20)
Output power (CW)	P_o	5.9	5.9	4.8	4.8	4.0	4.0	4.0	watts
Chip Cavity Length	CL	2500	2500	2500	2500	2500	2500	2500	μm
Emitter Width	W	95	95	95	95	95	95	95	μm
Emitter Height	H	1	1	1	1	1	1	1	μm
Spectral Width	$\Delta\lambda$	15	15	15	15	15	15	15	nm 3dB
Slope Efficiency	η_o	0.5	0.5	0.4	0.4	0.4	0.35	0.35	W/A
Fast Axis Div.	θ_{perp}	9	9	9	9	9	9	9	deg FWHM
Slow Axis Div.	θ_{parallel}	9	9	9	9	9	9	9	deg FWHM
Electrical									
Power conversion Eff.	η	0.27	0.27	0.21	0.21	0.21	0.18	0.18	%
Threshold Current	I_{th}	0.45	0.45	0.45	0.45	0.45	0.45	0.45	A
Operating Current	I_{op}	13	13	14	14	14	14	14	A
Operating Voltage	V_{op}	1.8	1.8	1.7	1.7	1.7	1.7	1.7	V
Series Resistance	R_s	0.05	0.05	0.05	0.05	0.05	0.05	0.05	ohm
Mechanical									
Weight		1.4	1.4	1.4	1.4	1.4	1.4	1.4	g
Operating Temp.		10 to 30	10 to 30	10 to 30	10 to 30	10 to 30	10 to 30	10 to 30	$^{\circ}\text{C}$
Storage Temp.		-20 to 80	-20 to 80	-20 to 80	-20 to 80	-20 to 80	-20 to 80	-20 to 80	$^{\circ}\text{C}$

Specified values are rated at a constant heat sink temperature of 20°C



SemiNex offers other lensed versions per specific customer request. Contact SemiNex sales for further details.



All statements, technical information and recommendations related to the product herein are based upon information believed to be reliable or accurate. The accuracy or completeness herein is not guaranteed, and no responsibility is assumed for any inaccuracies. The user assumes all risks and liability whatsoever in connection with the use of a product or its application. SemiNex Corporation reserves the right to change at any time without notice the design, specification, deduction, fit or form of its described herein, including withdrawal at any time of a product offered for sale herein. Users are encouraged to visit www.seminex.com for the latest data. SemiNex Corporation makes no representations that the products herein are free from any intellectual property claims of others. Please contact SemiNex for more information. © 2014 SemiNex Corporation



SemiNex Corporation • 100 Corporate Place • Peabody, MA 01960 • 978-326-7700 • Email: info@seminex.com • www.seminex.com