

KLASTECH[®]
a PowerTechnology Company

Scherzo[®] 532nm

Single Frequency DPSS Laser
with *Pitch Perfect* German Engineering



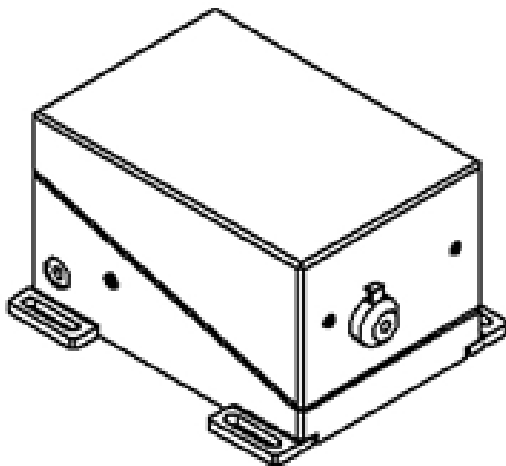
The Scherzo[®] series of 532nm lasers are diode pumped solid state laser systems (DPSS) that emit single frequency green laser light at 532nm.

These systems are based on KLASTECH's patented *iMAT*[®] laser technology providing class leading 2nd harmonic conversion efficiency, inherent single longitudinal mode output and industry leading exceptional optical performance all in a compact, proprietary design.

Applications include holography, vibrometry, particle visualization, forensics and flow cytometry.

REST OF WORLD:
KLASTECH GmbH
www.klastech.com
+49 231 999 505 50
info@Klastech.com

AMERICAS:
Power Technology, Inc.
www.PowerTechnology.com
+1 501 407 0712
sales@PowerTechnology.com



Features

- Significantly improved 2nd harmonic conversion efficiency
- Intrinsic single longitudinal mode performance
- Ultra-long coherence length
- Zero green noise
- Diffraction limited beam quality

Applications

- Holography
- Vibrometry
- Particle visualization
- Forensics
- Flow Cytometry

Optical performance:

Output wavelength	532nm
Rated output power (mW)	50-400mW
Output beam diameter	0.5mm (± 0.2) @ 10mm 1/e ²
Transverse mode structure	TEM M ² < 1.05
Longitudinal mode structure	SLM (Single frequency), <1MHz line width
Divergence	<1mrad ½ angle
Beam pointing stability	≤ 10urad/ °C
Spectral linewidth	< 1MHz
Coherence linewidth	> 100m
Polarisation	Vertical
Polarisation ratio	≥ 100: 1
Output power noise (p-p)	≤ 2% (10 Hz - 10 MHz)
Output power noise (rms)	≤ 0.3% (10 Hz - 10 MHz)
Output power stability	≤ 2% (4 hours)
Thermal management	TEC conductive cooling through metal heat sink plate
Operating fixation plate temp.	15 - 35 °C
Power interface	Standard AC/DC converter, 12VDC, 140W with Mini-DIN 4 power connector

