

3.2M CMOS CameraLink 216.2fps Global Shutter

NEW

Sony 3.2M High-Speed CMOS

STC-SPC322PCL 【Color】

STC-SPB322PCL 【Mono】

High-Speed CMOS 3.2M model has added to Camera Link series.
Sony Pregius Sensor provides high quality images.
This camera is capable of capturing moving objects without any issue
due to the camera has Global shutter sensor.
Supported PoCL type, external power supply is unnecessary.

**Pregius**

※ **Pregius** is trademark of Sony Corporation.

概要

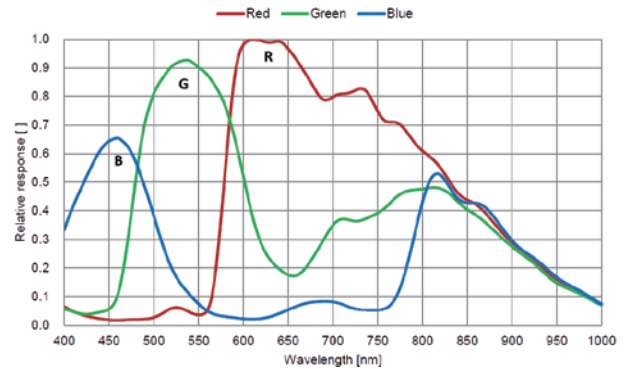
- 2048(H) x 1536(V)
- 3.45 μm x 3.45 μm
- 216.2 fps
- 1/1.8" Sensor
- Lens Mount : C Mount
- Global Shutter
- Supported PoCL
- 35 x 35 x 40.7 mm (excluding connectors)

Specifications

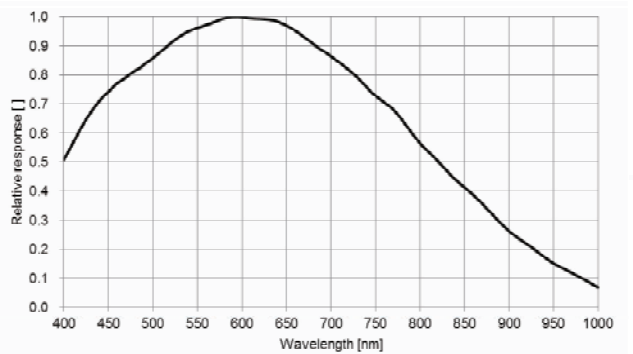
Model Numbers	: STC-SPC322PCL (Color) STC-SPB322PCL (Monochrome)
Image Sensor	: 1/1.8" 3.19M Progressive CMOS (SONY IMX252)
Shutter Type	: Global Shutter
Effective Pixels	: 2048 (H) x 1536 (V)
Cell Size	: 3.45 (H) x 3.45 (V) μm
Sync System	: Free run, External trigger
Maximum Frame Rate	: 216.2 fps (8bit, 10Tap, 85MHz) 103.8 fps (10bit, 4Tap, 85MHz) 103.8 fps (12bit, 4Tap, 85MHz)
Video Format	: 8 bit / 10bit / 12bit output
Noise Level	: Less than TBD LSBs (Gain 0 db, 8bit) Less than TBD LSBs (Gain 0 db, 10bit) Less than TBD LSBs (Gain 0 db, 12bit)
Sensitivity	: TBD Lux (Color), TBD Lux (Monochrome)
Exposure time	: TBD μs seconds to TBD seconds (8bit) TBD μs seconds to TBD seconds (10bit) TBD μs seconds to TBD seconds (12bit)
Analog Gain	: 0 dB to 20.8 dB
Digital Gain	: 0 dB to 6 dB
Black Level	: 0 to 31 (8bit), 0 to 127 (10bit) 0 to 511 (12bit)
White Balance Gain	: -40 db to 12 dB (Color Model Only)
ROI (AOI)	: Horizontal 260 to 2048 / Vertical 4 to 1536 [Adjustable Steps for size] Horizontal 4 / Vertical 4 [Adjustable Steps for offset] Horizontal 4 / Vertical 4
Gamma	: 0.1 to 4.0
Binning	: Individual x2 Horizontal, Vertical binning (Monochrome Model Only, Horizontal:Average, Vertical:Addition)
Decimation	: Individual x2 Horizontal, Vertical Decimation
Image Flip	: Horizontal / Vertical / Horizontal and Vertical / Off
Pixel Defect Correction	: Up to 64 points
Operational Mode	: Free run / Edge preset Trigger / Pulse width Trigger
Interface	: CameraLink Base / Medium / Full / 10Tap
Communication	: RS232 via Camera Link connector
Power Input Voltage	: DC12V \pm 10% (Power/IO connector), Supported PoCL
Consumption	: Less than TBD W
Dimensions	: 35 (W) x 35 (H) x 40.7 (D) mm (excluding connector)
Optical Filter	: No IR Cut Filter
Lens mount	: C mount
Camera Link connector	: SDR x 2
Power/IO connector	: HR10A-7R-6PB (Hirose) or equivalent
Camera Mounting	: Two 1/4" tripod screw holes (One on each top and bottom plate). Fourteen M4 screw holes (Four on each top and bottom plate, Three on each side plate).
Weight	: Approx. TBD g
Compliance	: RoHS Compliant

Spectral Sensivity

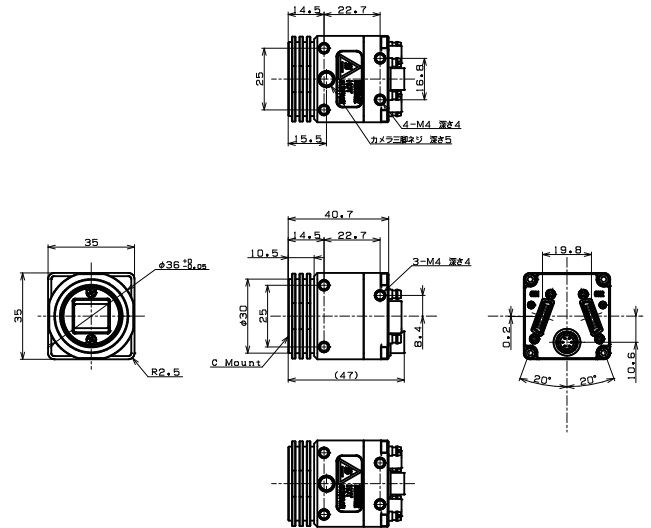
STC-SPC322PCL



STC-SPB322PCL



Dimensions



Distributor

2016.1

※Specifications are subject to change without notice.

Development and manufacture

SENTECH

センテック株式会社 SENTECH CO., LTD

8F, Harada Center Building, 9-17, Nakacho 4-chome, Atsugi City, Kanagawa 243-0018 Japan

TEL : 81-46-295-7061 FAX : 81-46-295-7066 www.sentech.co.jp/en/ E-mail : info@sentech.co.jp