



Rigel i800

800W High Power, Diode Pumped, Short Pulse Laser

An 800 watt, Q-switched, DPSS laser, delivering high average power and high peak power at 1064 nm, unpolarised. With a well proven rugged head design, state of the art universal control system architecture and simple synchronisation with OEM equipment and process lines, this platform is ideally suited to high volume industrial applications.

Rigel i200

Rigel i400

Rigel i600

Rigel i800

Rigel i1000

Rigel i1600

Rigel i3200

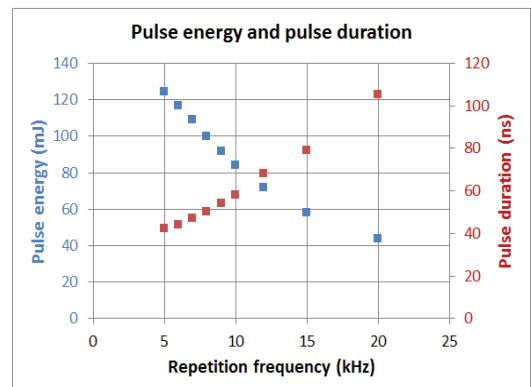
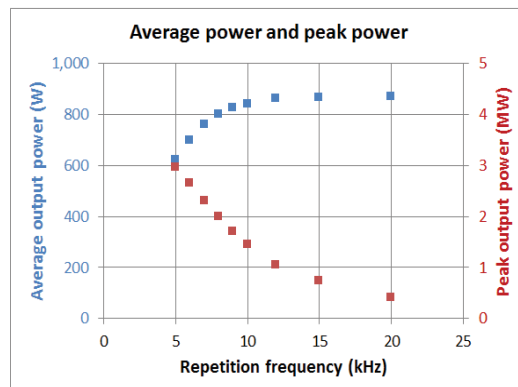


Features

- Pulse Energy Up To 120 mJ
- $M^2 = 30$
- Excellent Stability
- Condition Monitoring
- Optional Fibre Delivery (Round or Square)
- Optional Computer Controlled Attenuation
- Optional Repetition Frequency Optimisation

Applications

- LCD Production
- Photovoltaic Processing
- Thin Film Removal
- Rapid Laser Patterning
- Material Processing





Typical Laser Performance

Pulse Repetition Freq. (kHz)	5	10	15	20
Average Power (W)	620	840	865	870
Pulse Energy (mJ)	124	84	58	44
Pulse Duration (ns)	42	60	80	105
Divergence (mrad, 1/e ² FA)	12			
M ²	30			
Power Stability (% , 1σ)	0.3			
Typical Fibre Core (µm)	800 (Square or Round)			

Rigel i200

Rigel i400

Rigel i600

Rigel i800

Rigel i1000

Rigel i1600

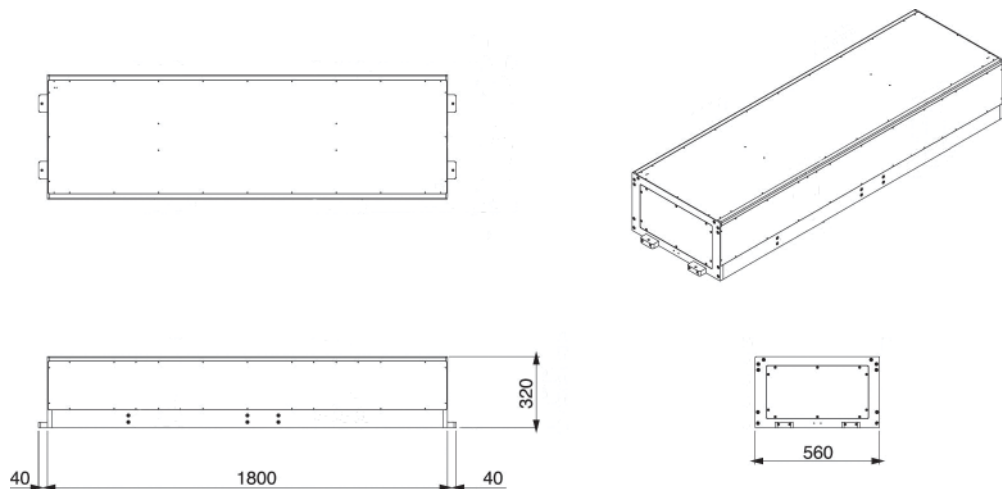
Rigel i3200

Facility Requirements

Supply Voltage	3-phase N+E, 220 or 400 VAC (±10%)
Supply Frequency	50 or 60 Hz
Nominal Power Consumption	18 kVA
Cooling Water	40 litres/min at 11 - 17°C
Gas Purge	N2 or Air (Grade N5.0, <1 ppm THC)
Laser Dimensions	1800 x 560 x 320 mm
Control Rack Dimensions	1195 x 600 x 970 mm (h w d)
Environmental Conditions	Temp 15 - 32°C and RH <60% (90% max, non condensing)

Specifications subject to change without notice.

Dimensions



LASER RADIATION
 AVOID EYE OR SKIN EXPOSURE TO
 DIRECT OR SCATTERED RADIATION
 CLASS 4 LASER PRODUCT

Doc No: 69-0050-1