



Rigel g400

400W High Power, Diode Pumped Short Pulse Laser

A Q-switched, intra-cavity frequency doubled laser, delivering high average powers up to 400 W in an unpolarised multi-mode beam at a wavelength of 532 nm. With a well proven rugged head design, state of the art universal control system architecture and simple synchronisation with OEM equipment and process lines, this platform is ideally suited to high volume industrial applications.

Rigel g100c

Rigel g200

Rigel g400

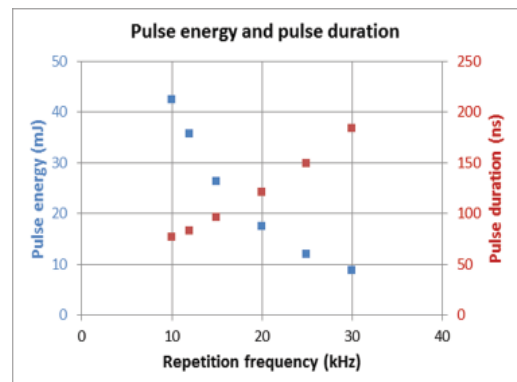
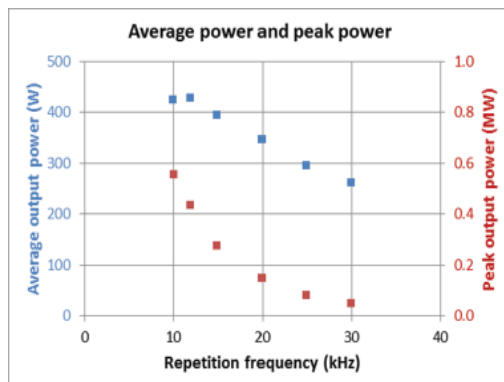


Features

- Pulse Energy Up To 40 mJ
- $M^2 = 28$
- Excellent Stability
- Optional Dual Polarised Outputs
- Optional Single Unpolarised Output
- Optional Fibre Delivery (Round Or Square)
- Optional Repetition Frequency Optimisation

Applications

- Photovoltaic Processing
- Poly - Silicon Annealing
- Hard Materials Processing
- Micro Machining
- Ti:Sapphire Pumping





Typical Laser Performance

Pulse Repetition Freq. (kHz)	10	15	20	30
Average Power (W)	420	390	340	260
Pulse Energy (mJ)	42	26	17	9
Pulse Duration (ns)	75	95	120	180
Divergence (mrad, 1/e ² FA)	6			
M ²	28			
Power Stability (% , 1σ)	0.5			
Typical Fibre Core (μm)	600			

Rigel g100c

Rigel g200

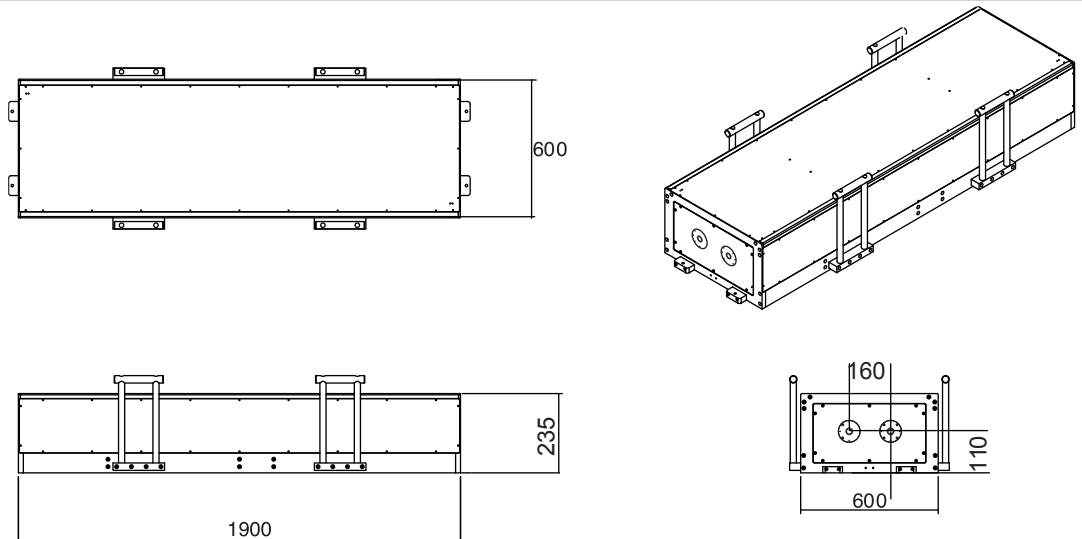
Rigel g400

Facility Requirements

Supply Voltage	3-phase N+E, 220 or 400 VAC (±10%)
Supply Frequency	50 or 60 Hz
Nominal Power Consumption	20 kVA
Cooling Water	40 litres/min at 11 - 17°C
Gas Purge	N2 or Air (Grade N5.0, <1 ppm THC)
Laser Dimensions	1900 x 600 x 235 mm
Control Rack Dimensions	1195 x 600 x 970 mm (h w d)
Environmental Conditions	Temp 15 - 32°C and RH <60% (90% max, non condensing)

Specifications subject to change without notice.

Dimensions



LASER RADIATION
 AVOID EYE OR SKIN EXPOSURE TO
 DIRECT OR SCATTERED RADIATION
 CLASS 4 LASER PRODUCT

Doc No: 069-0043-1