

## DQ-1535-20/20 Er:glass laser datasheet

---

### Description

DQ-1535-20/20 is diode-pumped solid-state laser, namely direct Er:Glass laser.

Laser operates in q-switched mode. Maximal pulse energy is 20mJ, maximal repetition rate is 20Hz.

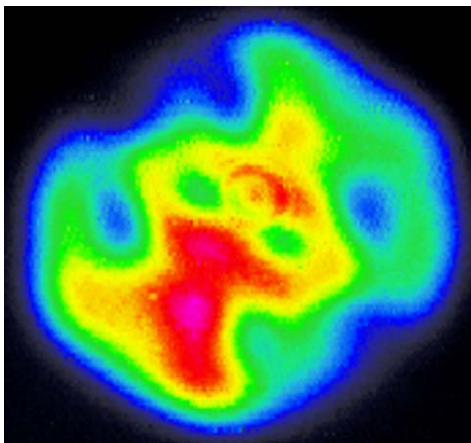
The main feature of the laser is water-free design. Resulting advantages are easy maintenance and extended temperature range of operations. The other feature is a compact design and low weight.

### Features

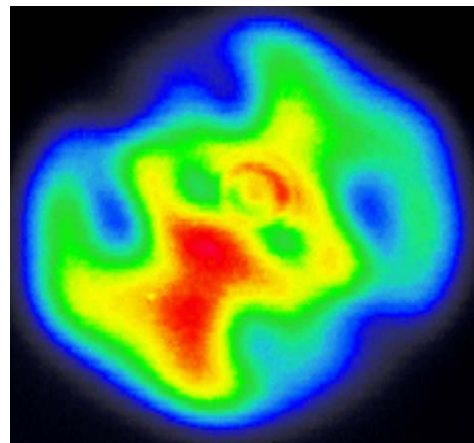
- Eye-safe lasing wavelength
- Compact dimensions, low weight
- No water inside, wide temperature range of operation, maintenance free

### Specification

Parameter	Specification
Wavelength	1535 nm
Repetition rate	up to 20 Hz
Pulse energy	up to 20 mJ (@10 Hz) up to 12 mJ (@20 Hz)
Pulse width	30-40 ns
Secondary pulses	no sec. pulses
Laser mode	multimode
Beam divergence	< 7 mrad
Beam diameter	2.2 mm
Duty cycle	max. on-time - 2 seconds min. off-time - 30 seconds
Cooling method	forced air cooling
Weight	about 5 kg

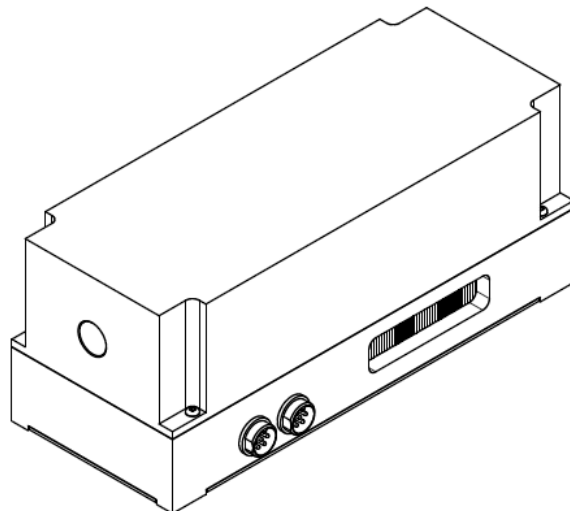
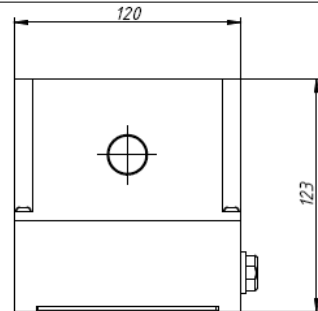
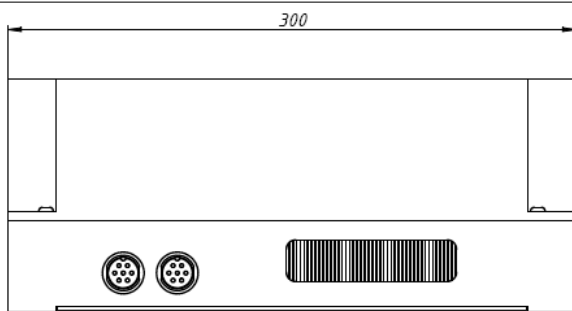


Exemplary



Averaged

**Laser head (appearance and dimensions)**



## Power supply and control unit dimensions

