

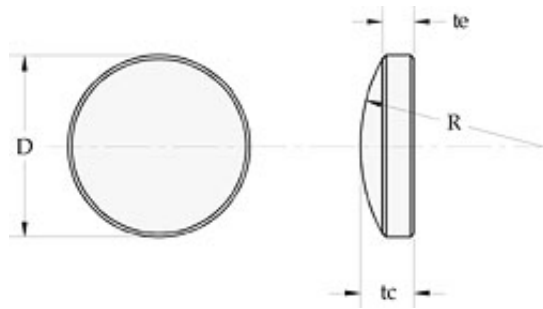


Our Optics Your Solutions

714 327 0600

sales@lambda.cc

Plano Convex Lenses – UV Grade Fused Silica (PCX)



UV Fused Silica
for 230-1600nm
applications
The focal length
is designed at
250nm



Focal Length: $f = R/(n-1)$

n: refractive index

R: radius curvature

Plano-convex lenses are useful for a wide range of applications. These lenses are manufactured from Corning 7980 0F grade for 230nm to 1600nm applications. All lenses are uncoated but anti-reflection coatings are available. When used to focus a collimated beam, the light should be incident on the curved surface of the lens. These plano-convex lenses may be combined with other lenses to form complex imaging systems.

Material:	UV Grade Fused Silica
Surface Flatness:	$< \lambda / 10 @ 633 \text{ nm}$
Surface Quality:	$< 10/5$ (both sides)
Centration Error:	≤ 3 arc min
Focal Length Tolerance: (@250nm)	$< \pm 0.5\%$

Diameter Tolerance:	< + 0.00 / – 0.20 mm
Thickness Tolerance:	< ± 0.25 mm
Clear Aperture:	> 85% of diameter

FL to ROC Conversion Table:

FL @ 250nm (mm)	FL @ 532nm (mm)	Radius of Curvature (mm)
50	55.20	25.43
75	82.79	38.14
100	110.37	50.85
150	165.78	76.28
200	220.75	101.70
250	275.88	127.10
300	331.23	152.60
400	441.79	203.40
500	551.97	254.30
750	827.85	381.40
1000	1103.73	508.50
2000	2324.89	1017.10
3000	3395.24	1526.60
5000	5519.09	2542.70

Plano Convex Lenses – UV Grade Fused Silica (PCX)

Material	<input type="text" value="UV Grade Fused Silica"/>
-----------------	--

Diameter	Choose an option			
Focal Length	Choose an option			
<table border="1"><tr><td>-</td><td>1</td><td>+</td></tr></table>		-	1	+
-	1	+		
Add to cart				
<table border="1"><tr><td>ROHS</td><td>COMPLIANT</td></tr></table>		ROHS	COMPLIANT	
ROHS	COMPLIANT			

Clear

Additional information	
MATERIAL	<i>UV Grade Fused Silica</i>
DIAMETER	<i>0.5" dia, 0.75" dia, 1.0" dia, 1.5" dia, 2.0" dia</i>
FOCAL LENGTH	<i>025 mm @ 250nm, 050 mm @ 250nm, 075 mm @ 250nm, 100 mm @ 250nm, 150 mm @ 250nm, 200 mm @ 250nm, 250 mm @ 250nm, 300 mm @ 250nm, 400 mm @ 250nm, 500 mm @ 250nm, 750 mm @ 250nm, 1000 mm @ 250nm, 2000 mm @ 250nm, 3000 mm @ 250nm, 4000 mm @ 250nm, 5000 mm @ 250nm, 7500 mm @ 250nm, 10000 mm @ 250nm</i>