

K&S Optics

CUSTOM CYLINDRICAL CAPABILITIES

CUSTOM FLAT CAPABILITIES

STOCK CYLINDRICAL LENSES

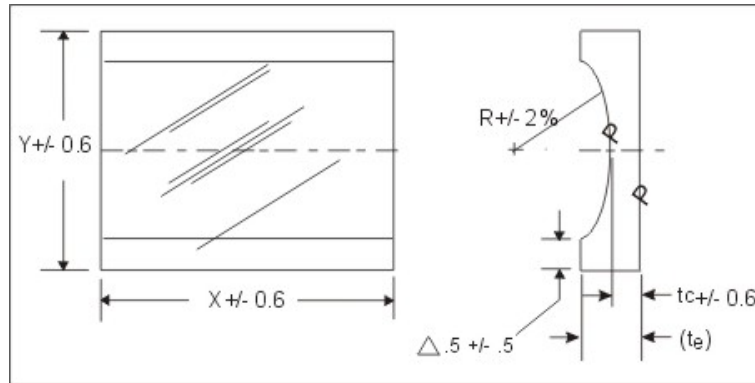
STOCK FLAT OPTICS

[ABOUT US](#)

[CONTACT US](#)

[HOME](#)

Commercial Grade Plano-Concave Cylindrical Lens - NBK-7



* [Call for Prices or](#)
[Select to order parts](#)

Prod. No.	f	x	y	R	tc	te	Unit Price
150-0120	-4.00	12.5	6.0	2.070	2.5	3.0	*
150-0140	-5.00	12.5	5.0	2.584	2.5	3.4	*
150-0160	-6.35	25.0	7.0	3.282	3.1	5.1	*
150-0180	-8.00	12.5	7.2	4.135	3.0	4.1	*
150-0200	-10.00	12.5	10.0	5.168	4.0	6.6	*
150-0210	-10.00	12.5	10.0	5.170	4.0	5.0	*
150-0220	-12.70	25.0	13.0	6.563	3.2	7.1	*
150-0240	-19.00	25.0	16.0	9.819	3.6	7.1	*
150-0260	-25.40	60.0	16.0	13.127	3.7	6.0	*
150-0280	-40.00	60.0	16.0	20.672	4.6	6.0	*
150-0300	-60.00	60.0	21.0	31.008	4.4	6.1	*
150-0320	-80.00	60.0	31.0	41.344	3.2	6.0	*
150-0340	-100.00	60.0	51.0	51.680	3.0	9.4	*
150-0400	-150.00	60.0	51.0	77.520	5.4	9.5	*
150-0450	-200.00	60.0	51.0	103.360	6.5	9.6	*
150-0500	-250.00	60.0	51.0	129.200	7.0	9.4	*
150-0550	-300.00	60.0	51.0	155.040	7.5	9.5	*
150-0600	-500.00	60.0	51.0	258.400	7.5	8.7	*

Specifications: Commercial Plano-Concave Cylindrical Lens

- All dimensions are in millimeters
- Surfaces Marked "P" polished, all others ground
- Focal Length: $f \pm 2\%$
- Design wavelength (λ_0): 587.6 nm

- Clear Aperture: 90% of central polished area
- Bevel: Slight protective
- Scratch/Dig: 60/40
- Material: NBK-7 (Bk-7)