



Photometrics® DV2

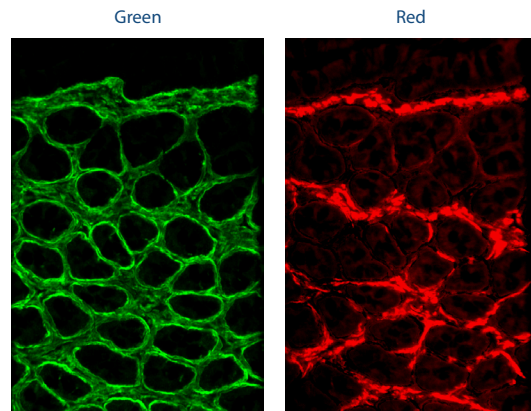
Dual-Channel Simultaneous-Imaging System

The Photometrics® DV2™ utilizes a single-beamsplitter design to split the emission light from a microscope into two independent channels. Each channel is projected onto half of the CCD at the same time. Simultaneous multichannel imaging is essential for FRET and other emission ratiometric applications.

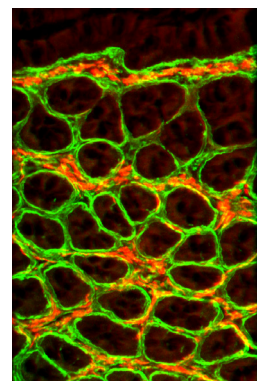
Features

- Simultaneous acquisition of two emission channels
- Emission can be separated by wavelength, polarization, or amplitude
- Easily mounts to most microscopes
- Improved adjustment control enables easier image alignment
- Redesigned aperture adjustments ensure apertures are parallel
- Uses standard 25-mm-diameter emission and polarization filters
- Bypass mode permits no-hassle, full-field imaging
- Exchangeable filter cube allows multiple applications to be run with minimal realignment
- Integrated, adjustable CCD mask minimizes ghosting
- Works with many Photometrics® and QImaging® cameras*

*Please contact your local representative to verify compatibility with specific cameras.



Green/Red Overlay

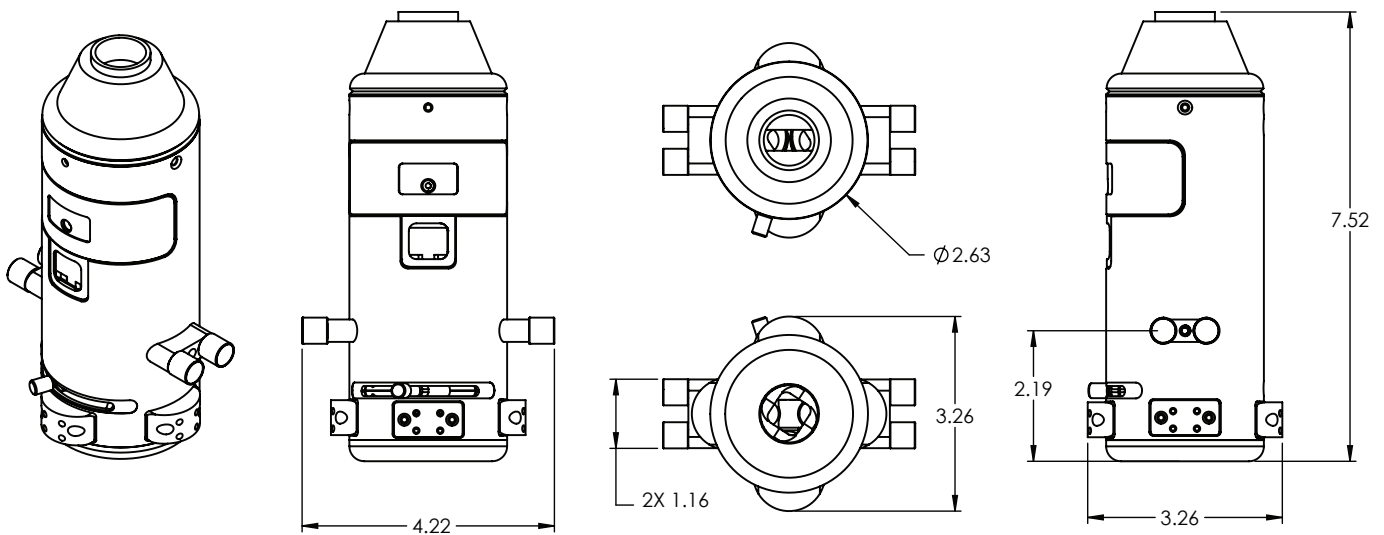


DV2 Specifications	
Wavelength sensitivity	400 to 750 nm
Efficiency per image*	88 to 92%
Operation temperature	10 to 37°C
Detector attachment	C-mount (male)
Front attachment	C-mount (female)
External mounting option	¼-20 tapped hole on back of unit
Dimensions	6.5" at widest point x 8.5" height
Weight	4.8 lbs
Filters	Emission/barrier, neutral density, polarization; 1" (25.4-mm) max diameter; 0.39" (9.9-mm) max thickness
Patents	USA: 5,926,283 and 5,982,497; Australia: 731,476; Canada: 2,294,840; Other foreign patents pending

Applications

- Fluorescence resonance energy transfer (FRET) imaging
- Polarized FRET analysis
- Calcium imaging with fluo-3/Fura Red™ (Molecular Probes) or dual-emission indo-1 imaging
- Fluorescence polarization/anisotropy imaging
- Simultaneous fluorescence/DIC imaging
- Drug discovery with Cy3/Cy5
- Single-molecule fluorescence (SMF) imaging
- pH imaging with SNARF
- Multiwavelength total internal reflection fluorescence (TIRF) imaging
- Voltage sensing with di-4-ANEPPS
- Fluorescence *in situ* hybridization (FISH) imaging
- cAMP imaging with FICRHR
- Multichannel confocal microscopy when used in conjunction with a spinning-disk confocal

* Transmission values are also modified by filter transmission.
Note: All specifications are typical and subject to change.



PHOTOMETRICS
www.photometrics.com
info@photometrics.com
tel: +1 520.889.9933