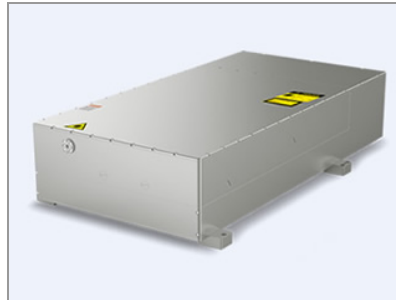


# PRODUCTS

[HOME](#) >> [Products](#)

## Olive Mid-Power Picosecond Ultra-fast Lasers

- <10 picosecond pulses
- Long term power stability <3%rms
- High beam quality with  $M^2 \leq 1.3$
- Serial Interface



### All Products

- Femtosecond Pulsed Fiber Laser
- Olive-532-4 Olive-1064-10
- **Olive-532-15 Olive-1064-30**
- Olive-1064-50
- **Poplar-355-3 Poplar-355-5**
- **Poplar-355-12 Poplar-355-18**
- Spruce-532-10 Spruce-532-20
- Spruce-532-35
- **Erai-S Olive-S**

### Parameters

	Olive-532-15	Olive-1064-30
Wavelength	532nm	1064nm
Output Power	>15W@300kHz	>30W@500kHz
Repetition Rates	100kHz-500kHz	1Hz-1000kHz
Pulse Width	<10ps	<10ps
Power Stability	≤1% rms	≤1% rms
Pulse-to-pulse Stability	≤1.5% rms	≤1% rms
Spatial Mode	TEM <sub>00</sub> (M <sup>2</sup> ≤1.2)	TEM <sub>00</sub> (M <sup>2</sup> ≤1.3)
Beam Diameter	≤2mm	2.4±0.2mm
Beam Divergence	≤3mrad	≤3mrad
Beam-pointing Stability	<50μrad	<50μrad
Beam Roundness	≥90%	≥90%
Polarization Ratio	Vertical, >100:1	Horizontal, >100:1
Warm-up Time	<30min	<15min
Ambient Temperature	10-35°C	10-35°C
Humidity	<65%	<65%
Cooling	Water	Water
Voltage	110 to 230 VAC	110 to 230 VAC
Power Consumption	2500W	2500W
Classification	Class 4	Class 4
Laser Head Size	801.5×410×183 mm <sup>3</sup>	801.5×410×183 mm <sup>3</sup>
Power Supply Model	P-1200A	P-1200A
Power Supply Size	486×411.5×88.9 mm <sup>3</sup>	486×411.5×88.9 mm <sup>3</sup>



Leading Laser Manufacturer

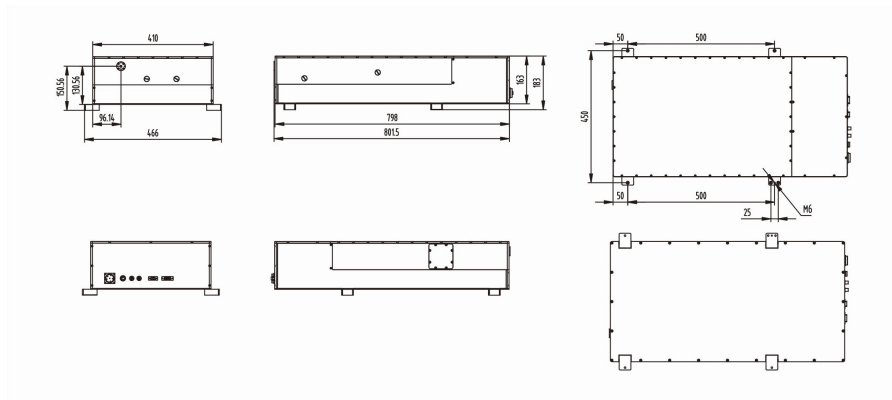
## Introduction

Olive Mid-power Picosecond Laser is a product newly launched specific to micro machining market by North America Ultra-fast R&D center established by Huaray after purchasing Canadian Attodyne. The product is pushed out by combining advanced of the R&D Center and excellent process optimization and batch delivery capability of Huaray. The laser adopts master oscillator power amplifying design with optical-solid mixed medium, and can provide high-energy laser with single pulse energy higher than 200  $\mu$ J and pulse width less than 10 picoseconds. The laser supports PoD triggering and can work in the Burst Mode, thereby being an ideal choice for precision laser machining.

## Application

This series of products is widely used in advanced precision laser machining fields and is a good tool for machining hard brittle materials of glass, sapphire, flat panel display and ceramics; meanwhile it can also be used for precision machining of metal, semiconductors, inorganic thin films and high polymer materials.

## Size



Huaray Laser All rights reserved

鄂ICP备10204937号-1

鄂公网安备42018502001358号

### Site Map

- Home
- Products
- Application
- About Us
- Contact Us
- Chinese Version
- Mailbox

### Products

- Femtosecond Laser
- Olive-532-4 Olive-1064-10
- Olive-532-15 Olive-1064-30
- Olive-1064-50
- Poplar-355-3 Poplar-355-5
- Poplar-532-7
- Poplar-355-12 Poplar-355-18
- Spruce-355-3 Spruce-355-5
- Spruce-532-10 Spruce-532-20
- Spruce-532-35

### Contact us

Int.Call:86-(0)27-87929683

Fax:86-(0)27-65332638

E-mail:info@huaraylaser.com

Website:www.huaraylaser.com

