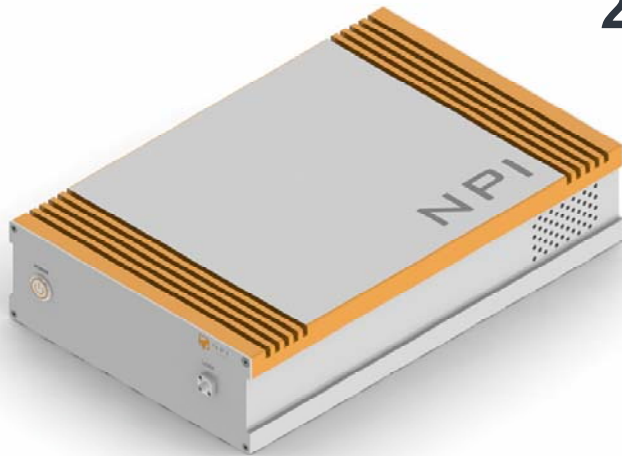


NL-2000-2MHz

2 μm Narrow Linewidth Fiber Laser



FEATURES

- Customizable operating wavelength
- Very narrow spectral linewidth
- Single mode fiber delivery
- Turn-key system
- No maintenance required

NPI's 2 μm narrow linewidth fiber laser **NL-2000-2MHz** features very narrow spectral linewidth and is a highly stable laser source. It can be used in applications ranging from Mid-IR generation, spectroscopy, nonlinear optics, to scientific research and development. **NL-2000-2MHz** can be used in conjunction with **TDFA-2000** for higher output power .

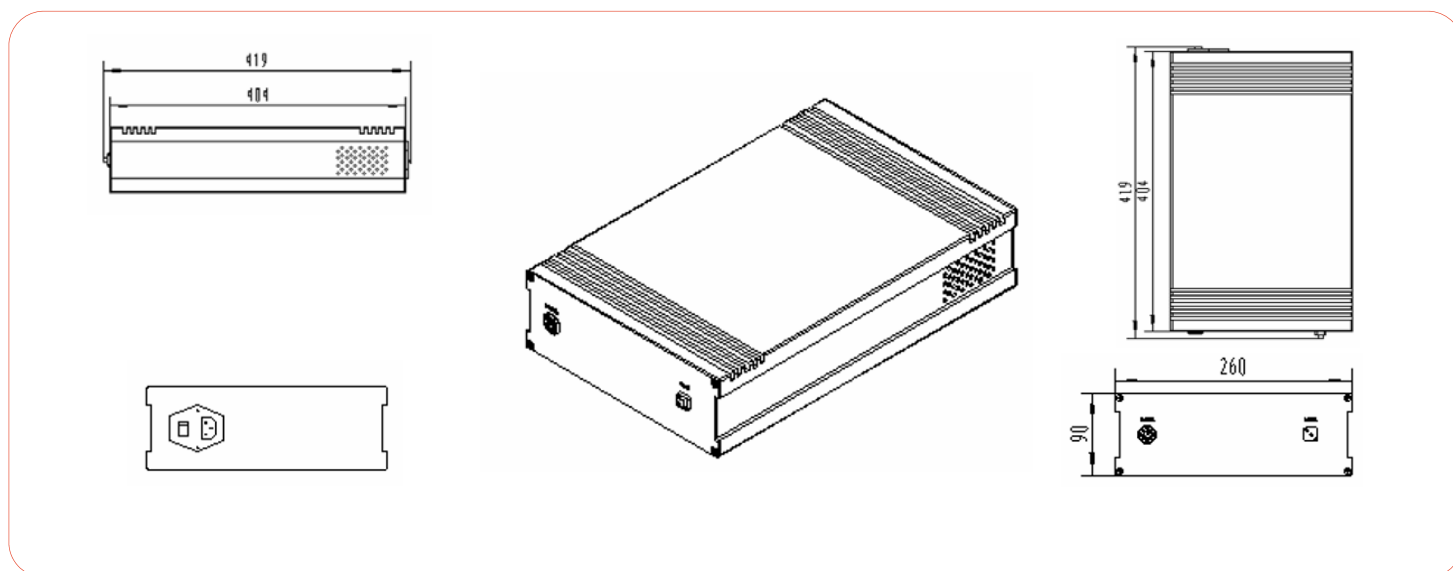
NPI Lasers is an innovative manufacturer of versatile, reliable and cost-effective fiber laser modules operating in the mid-IR wavelength range. Our team shares a combined optical research/industrial experiences of more than 60 years and this ensures that we understand your specific application needs no matter it is in the field of niche photonics research, industrial sensing and detection, advanced bio-medical procedures, or next-generation laser material processing.

APPLICATIONS

- LIDAR
- Environmental sensing
- Molecule detection
- Frequency conversion
- Research & development

SPECIFICATIONS

Parameter	Specification	Parameter	Specification
Operating wavelength	1950 nm (typical) customizable 1900-2100 nm	Operating temperature	0 to +40 °C
Wavelength accuracy	1 nm (typical)	Power requirement	AC 100-240 V (50 Hz/60 Hz)
Spectral linewidth	<2 MHz	Power consumption	<20 W
Average output power	>100 mW	Dimensions	419 mm x 260 mm x 90 mm
Stability	<1% (power)	Weight	6.0 kg
M ²	<1.1	Output fiber type	SM2000 single mode fiber, FC/APC connector, keyed to slow axis



VISIBLE OR INVISIBLE RADIATION
AVOID EYE OR SKIN EXPOSURE TO
DIRECT OR SCATTERED RADIATION
CLASS 3B LASER PRODUCT

CAUTION: THIS IS A CLASS 3B LASER PRODUCT AND ADJUSTMENT OTHER THAN THOSE SPECIFIED
IN THE PRODUCT MANUAL MAY RESULT IN HAZARDOUS LASER RADIATION EXPOSURE

ADDRESS

Floor 4, Cui-Ping Science Park, 37 Jiangjun Avenue,
Jiangning District, Nanjing, 211100, China

CONTACT NUMBER

+86-(0)25-84989433

EMAIL

sales@npilasers.com