

ASE-2000

Mid-IR Broadband Light Source



FEATURES

- Broad bandwidth
- Compact footprint
- Diffraction limited beam
- Turn-key system
- No maintenance required

APPLICATIONS

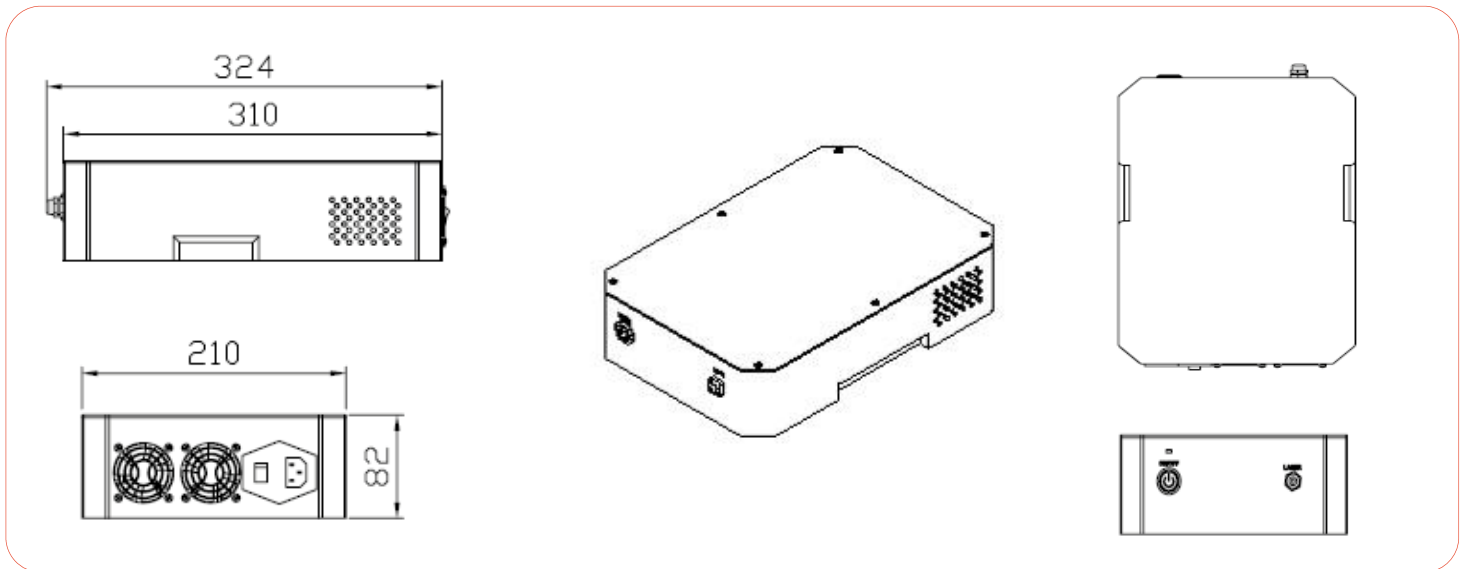
- Gas sensing
- Biomedical analysis
- Spectroscopy
- Test and measurement
- OCT applications

NPI's mid-IR broadband light source **ASE-2000** features broad bandwidth and excellent power stability. It finds applications ranging from optical component testing, spectroscopy, gas sensing to biomedical analysis.

NPI Lasers is an innovative manufacturer of versatile, reliable and cost-effective fiber laser modules operating in the mid-IR wavelength range. Our team shares a combined optical research/industrial experiences of more than 60 years and this ensures that we understand your specific application needs no matter it is in the field of niche photonics research, industrial sensing and detection, advanced bio-medical procedures, or next-generation laser material processing.

SPECIFICATIONS

Parameter	Specification	Parameter	Specification
Center wavelength	1950±30 nm	Operating temperature	+10 to +40 °C
Bandwidth (-20dB)	>150 nm (typical)	Power requirement	AC 100-240 V (50 Hz/60 Hz)
Average Output power	>10 mW	Dimensions	324 mm x 210mm x 82mm
Output stability	±1 % (at 25 °C)	Weight	2.0 kg
Beam Quality, M ²	< 1.1	Output fiber type	SM2000 single mode fiber, FC/PC or FC/APC connector



VISIBLE OR INVISIBLE RADIATION
AVOID EYE OR SKIN EXPOSURE TO
DIRECT OR SCATTERED RADIATION
CLASS 3B LASER PRODUCT

CAUTION: THIS IS A CLASS 3B LASER PRODUCT AND ADJUSTMENT OTHER THAN THOSE SPECIFIED IN THE PRODUCT MANUAL MAY RESULT IN HAZARDOUS LASER RADIATION EXPOSURE

ADDRESS

Floor 4, Cui-Ping Science Park, 37 Jiangjun Avenue,
Jiangning District, Nanjing, 211100, China

CONTACT NUMBER

+86-(0)25-84989433

EMAIL

sales@nplasers.com



Your ideal partner for mid-IR lasers and photonics