

MetaStable Instruments, Inc.

[Home](#)

[Beam Steering](#)

[Standard Products](#)

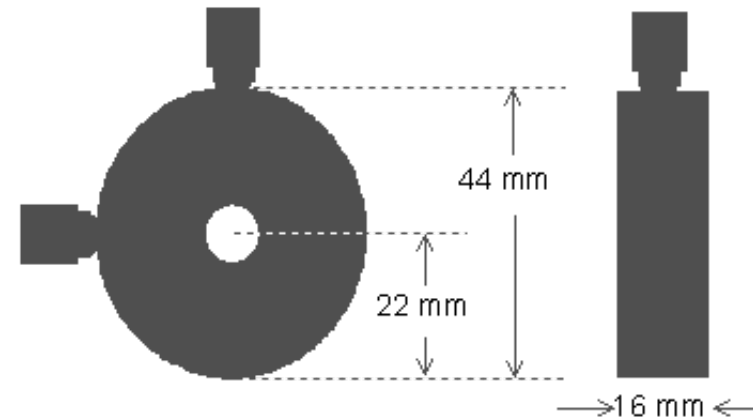
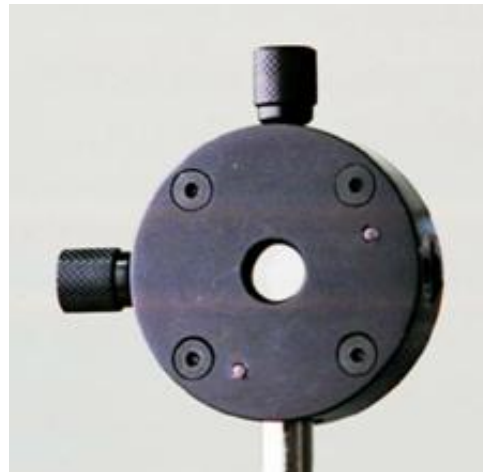
About MetaStable
Instruments, Inc.

Model BT-C2

Matched-Lens Refractive Beam Steerer

-
-

**Independent two-axis Cartesian adjustments
Zero beam displacement**



Adjustable Deviation of Transmitted Beam (+/-, X and Y)	0 to >25 mR
Sensitivity (deviation per degree of actuator rotation)	15 mR (deviation per degree of actuator rotation)
Clear Aperture	10 mm diameter
Lens Material	BK-7 (other materials are available)
AR Coating	Broad Band Visible (other coatings are available)
Transmission	>98 % @ 633 nm
8-32 post mounts, adjustable for left-hand or right-hand orientation	
Price	\$595

MetaStable Instruments, Inc., 5988 Mid Rivers Mall Drive - Suite 236, St. Peters, MO 63304-8304
Phone: 636-447-9555, Fax: 636-447-8267, email: inbox@metastableinstruments.com

