



CAMERA LINK MACHINE VISION CABLES

PART NUMBER REFERENCE



Select Connector Type: End "1"

- MDR Male Straight Exit = 1
- MDR Female Straight Exit = 2
- MDR Male Low Profile R/A Exit *UP* = 3
- MDR Male Low Profile R/A Exit *DWN* = 4
- HDR / SDR Male Straight Exit = 5
- HDR / SDR Male R/A Exit *UP* w/Recessed Screws = 6
- HDR / SDR Male R/A Exit *DOWN* w/Recessed Screws = 7
- MDR Male Ext. Profile R/A Exit *UP* = 8
- MDR Male Ext. Profile R/A Exit *DWN* = 9
- MDR Male Exit *RIGHT* w/Recessed Screws = 10

- MDR Male Exit *LEFT* w/Recessed Screws = 11
- HDR / SDR Female Straight Exit = 12
- MDR Male R/A *UP* 135° Exit *LEFT* = 13
- MDR Male R/A *DWN* 135° Exit *LEFT* = 14
- 14P HDR / SDR PoCL Lite Straight Exit w/Recessed Screws = 15
- MDR Latch Type Straight Exit = 16
- HDR / SDR Male Exit *RIGHT* w/Recessed Screws = 17
- HDR / SDR Male Exit *LEFT* w/Recessed Screws = 18
- HDR / SDR Male R/A *UP* Ext. Profile w/Recessed Screws = 19
- HDR / SDR Male R/A *DWN* Ext. Profile w/Recessed Screws = 20

Cable Type Options:

- HIFLEX (Robotic / C-Track) = 1
- HIFLEX PoCL (Robotic / C-Track) = 2
- 30 AWG (Robotic / C-Track) = 3
- 30 AWG PoCL (Robotic / C-Track) = 4
- PoCL Lite = 5

Select Connector Type: End "2"

- MDR Male Straight Exit = 1
- MDR Female Straight Exit = 2
- MDR Male Low Profile R/A Exit *UP* = 3
- MDR Male Low Profile R/A Exit *DWN* = 4
- HDR / SDR Male Straight Exit = 5
- HDR / SDR Male R/A Exit *UP* w/Recessed Screws = 6
- HDR / SDR Male R/A Exit *DOWN* w/Recessed Screws = 7
- MDR Male Ext. Profile R/A Exit *UP* = 8
- MDR Male Ext. Profile R/A Exit *DWN* = 9
- MDR Male Exit *RIGHT* w/Recessed Screws = 10

- MDR Male Exit *LEFT* w/Recessed Screws = 11
- HDR / SDR Female Straight Exit = 12
- MDR Male R/A *UP* 135° Exit *LEFT* = 13
- MDR Male R/A *DWN* 135° Exit *LEFT* = 14
- 14P HDR / SDR PoCL Lite Straight Exit w/Recessed Screws = 15
- MDR Latch Type Straight Exit = 16
- HDR / SDR Male Exit *RIGHT* w/Recessed Screws = 17
- HDR / SDR Male Exit *LEFT* w/Recessed Screws = 18
- HDR / SDR Male R/A *UP* Ext. Profile w/Recessed Screws = 19
- HDR / SDR Male R/A *DWN* Ext. Profile w/Recessed Screws = 20

Option: Length in Meters

Physical:

- Cable Color: Black
- Shell Color: Black
- Shell Construction: Pre-molded in Polyethelene, fully shielded and over-molded in black PVC.
- Cable Construction: Meets Automated Imaging Association Camera Link Standard. Skew-within pair: 35 ps/m max Skew-channel skew per chipset: 50 ps/m max. All cables are Camera Link approved.

Temp: 8-14-19

CONNECTOR TYPE OPTIONS:

- 1**



MDR Male
Straight Exit

2



MDR Female
Straight Exit
w/Removable Hardware

3



MDR Male Low Profile
R/A UP

4



MDR Male Low Profile
R/A DOWN

5



HDR / SDR Male
Straight Exit
- 6**



HDR / SDR Male R/A
Exit UP
w/Recessed Screws

7



HDR / SDR Male R/A
Exit DOWN
w/Recessed Screws

8



MDR Male Ext. Profile
R/A Exit UP

9



MDR Male Ext. Profile
R/A Exit DOWN
- 10**



MDR Male
Exit RIGHT
w/Recessed Screws

11



MDR Male
Exit LEFT
w/Recessed Screws

12*



HDR / SDR Female
Straight Exit

13



MDR Male R/A UP 135°
Exit LEFT
- 14**



MDR Male R/A DOWN 135°
Exit LEFT

15**



14P HDR / SDR PoCL Lite
Straight Exit
w/Recessed Screws

16*



MDR Latch Type
Straight Exit
Diecast
- 17**



HDR / SDR Male
Exit RIGHT
w/Recessed Screws

18



HDR / SDR Male
Exit LEFT
w/Recessed Screws

19



HDR / SDR Male R/A UP
Ext. Profile
w/Recessed Screws

20

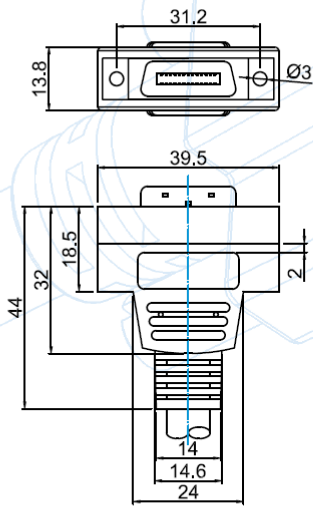


HDR / SDR Male R/A DOWN
Ext. Profile
w/Recessed Screws

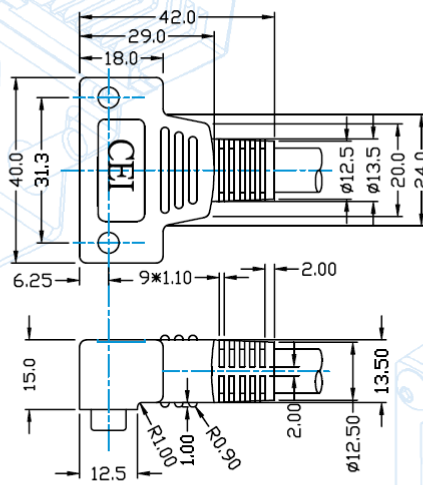
* Connector #12 & 16 are ONLY compatible with cable types 3 & 4.
** Cable type 5 is ONLY compatible with connector #15.

See pages 4 – 5 for profile drawings.

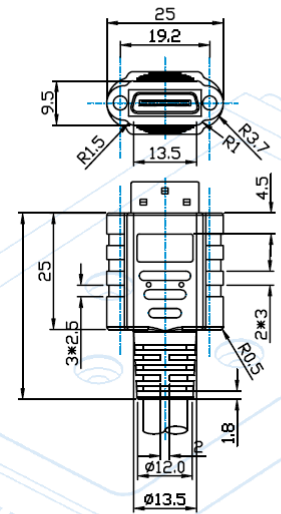
Temp:
8-14-19



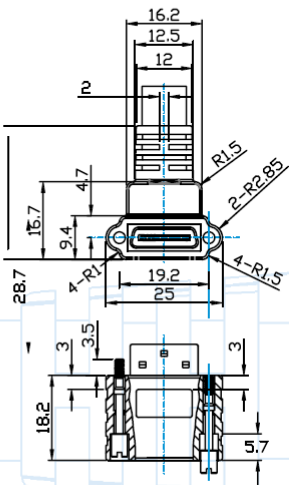
PROFILES 1 & 2



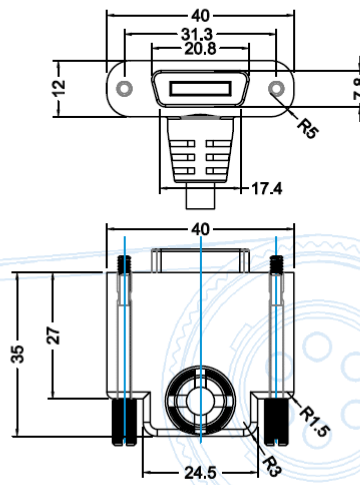
PROFILES 3 & 4



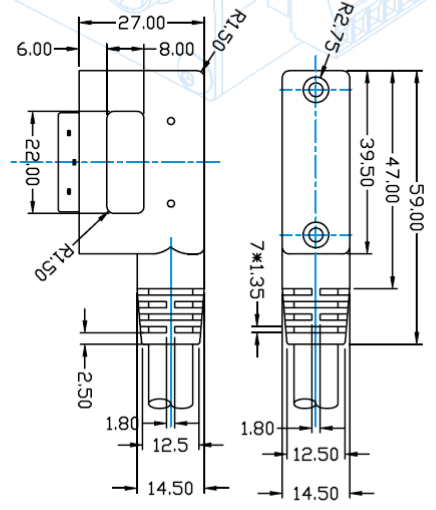
PROFILE 5



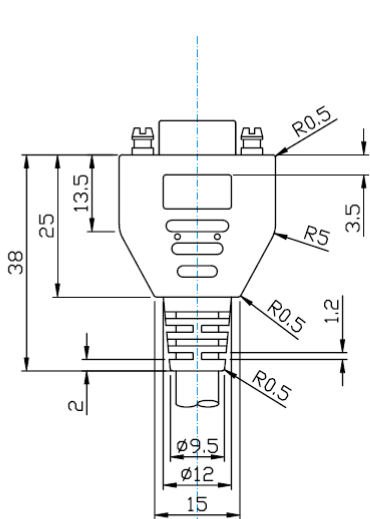
PROFILES 6 & 7



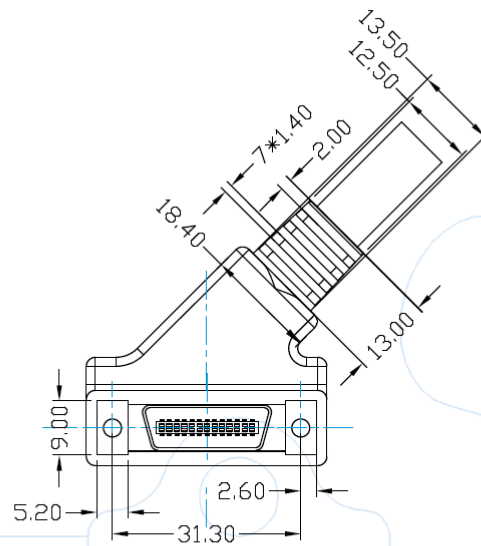
PROFILES 8 & 9



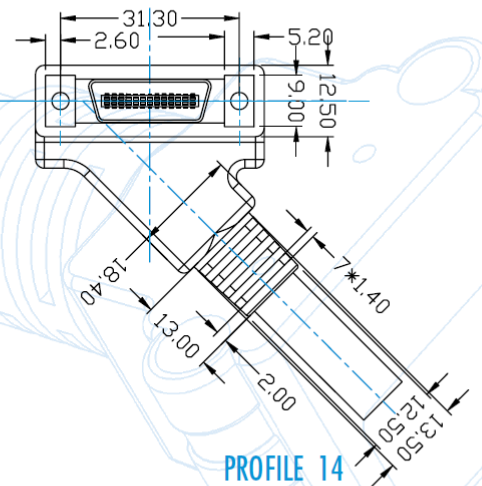
PROFILES 10 & 11



PROFILE 12

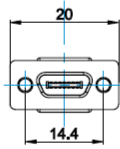
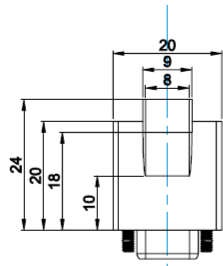


PROFILE 13

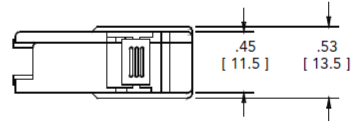
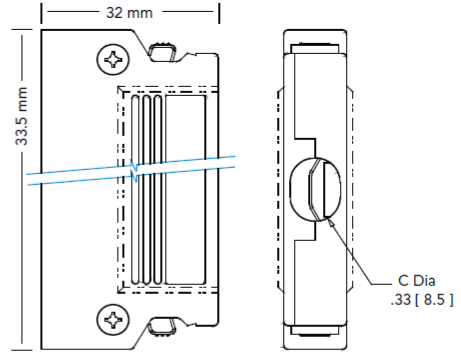


PROFILE 14

Temp: 8-14-19

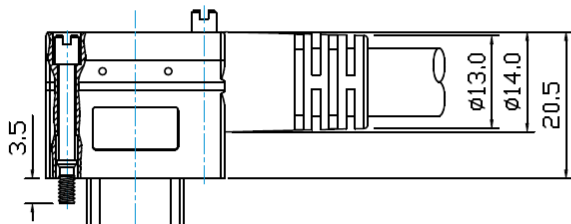
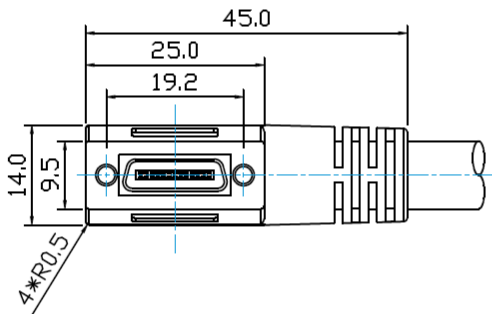


PROFILE 15

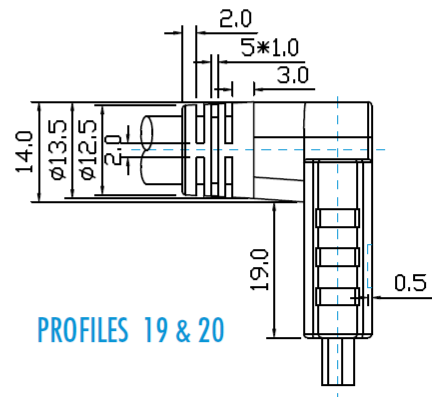
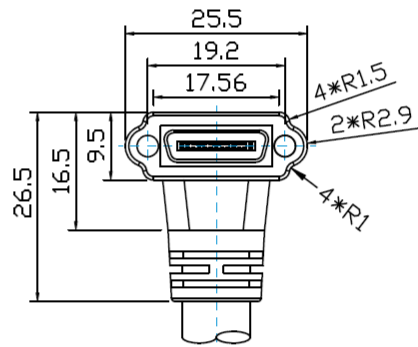


Assembled Junction Shell

PROFILE 16



PROFILES 17 & 18



PROFILES 19 & 20

Temp: 8-14-19