

LBS-532 Brightline Pro Cross- Projecting Laser Laserglow Part Number: BCG040247



Similar Products:

For information about the other lasers in this product family visit:

<http://www.laserglow.com/BCG>

Ordering:

Order Online Now or Request Quote:

<http://www.laserglow.com/BCG040247>

Series Specifications:

Nominal Wavelength	532 nm
Output Type	CW
Laser Source Type	DPSS

Overview:

Key Features:

- *Starting at: \$329*
- *Output Power:* 5 mW to >40 mW
- *Expected Life:* 3000-5000 hours
- *Projection Type (dot/line/cross):* Cross
- *Key Feature:* Projects a highly visible focus-adjustable green cross for high precision applications.
- *Minimum achievable line thickness:* 0.25 mm at 30 cm
- *Package Includes:* Alignment laser mounted in block (mounting bracket and power supply optional)
- *Casing:* Machined Aluminum
- *Line Straightness:* Better than 0.1% over full length
- *Perpendicularity of lines:* 90° +/- 0.5°

Specifications:

This spec sheet has been generated specifically for part number BCG040247, per your request, and data for the entire series is also displayed for your reference. The specs which are specific to BCG040247 have been highlighted below in **red + bold**.

Laser Form Factor	B1	B7
Output Power (mW)	<5, 20	40
Output Power Stability (%RMS/4h)	<20	<20
FDA Safety Class	IIIb	IIIb
IEC Safety Class	2, 3R	3R
Central Wavelength (nm)	531.65	531.65
Projection Type (See below for detail)	Cross (Cylindrical Lens CYC) Cross (DOE #201) Cross (DOE #247) Cross (DOE #280)	Cross (Cylindrical Lens CYC) Cross (DOE #247) Cross (DOE #280)
Projection Fan Angle (°, full angle)	4, 19, 51, 90	19, 51, 90
Divergence (mrad, full angle)	<0.1	<0.1
Beam Diameter (mm, 1/e ²)	4	4
Minimum Achievable Beam Diameter	0.25 mm at 0.3 m	0.25 mm at 0.3 m
Transverse Mode	Near TEM00	Near TEM00
Longitudinal Modes	Multiple	Multiple
Operating Temperature Range (°C)	10 to 35	10 to 35
Storage Temperature Range (°C)	-10 to 50	-10 to 50
Max. TTL Modulation Freq. (Hz)	200	200
Modulation Input Signal	0-5 VDC	0-5 VDC
Total Power Consumption (W)	2	3
Max. Power Input Duty Cycle	100%	100%
Cooling Method	Passive Air	Passive Air
Standard Warranty (months)	6	6
MTTF (operational hours)	5000	5000
Weight of Laser Head (kg)	0.1	0.26
Laser Head Dimensions (mm)	80 (l) x 20 (d)	90 (l) x 36 (d)

CW: All specifications are based on performance at full output power and after the specified warmup period. Output characteristics may change if the laser is run at a different power level.

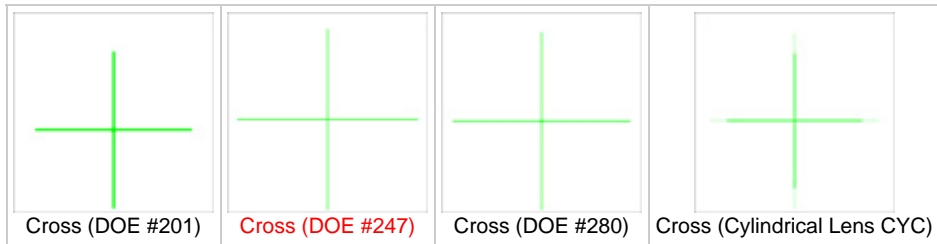
Q-Switched: Specifications are based on the laser pulsing at the specified design frequency. Output characteristics may change if the laser is run at a different frequency.

Power Supply Options:

The Brightline series of alignment lasers accept direct DC input of 3.0 VDC. The power connector is a standard EIAJ-04 DC power plug. (5.5 mm outer diameter, center pole positive.) If you do not want to provide DC current directly, we recommend that you use our AC power supply. The model number for the standard North American AC Power Supply is ABP00AXXX and you can find complete details here: www.laserglow.com/ABP. The dimensional drawing for the standard power supply is included on page 5 for your reference.

Projection Types:

The following projection types are available for this laser series.

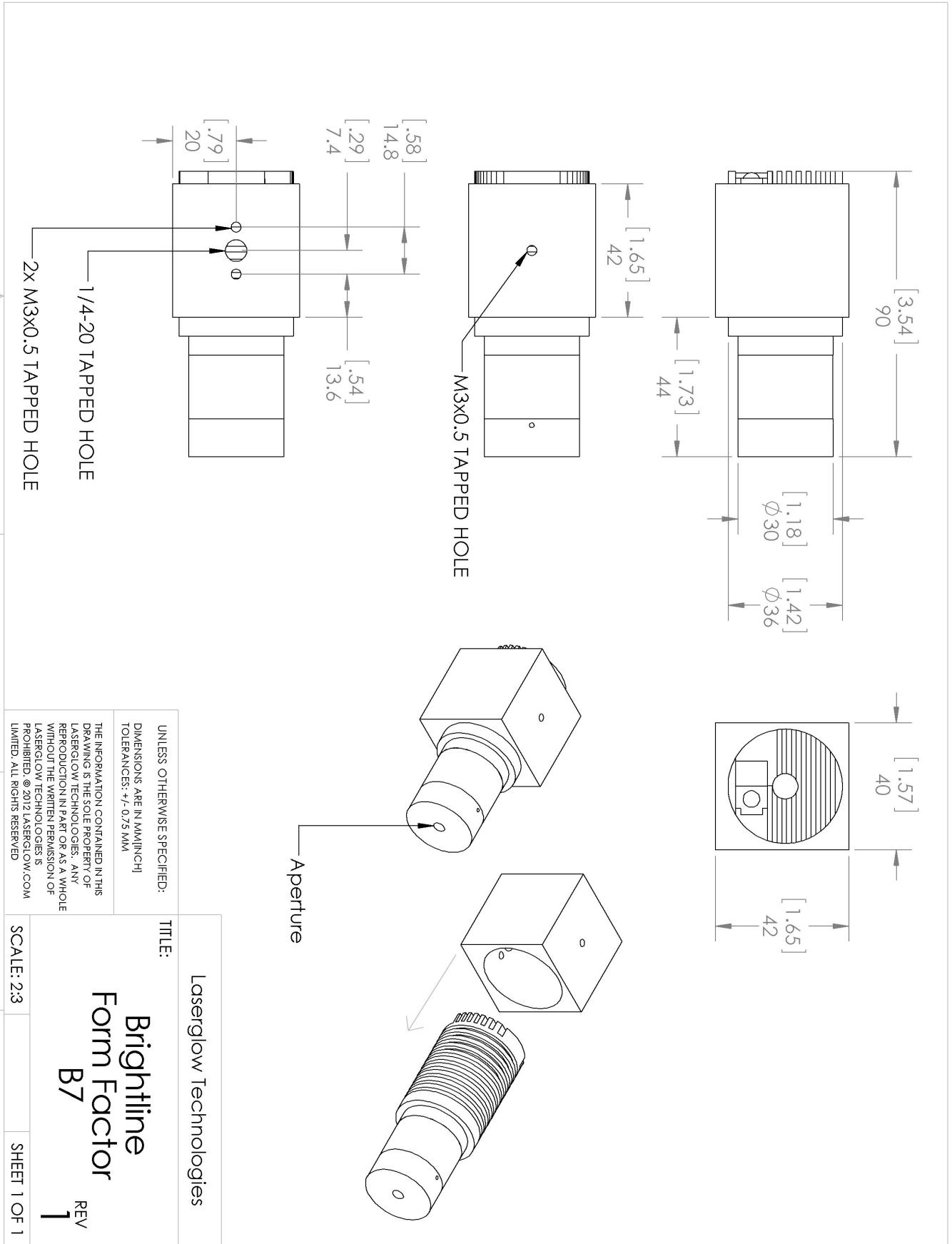


Regulatory Classification:

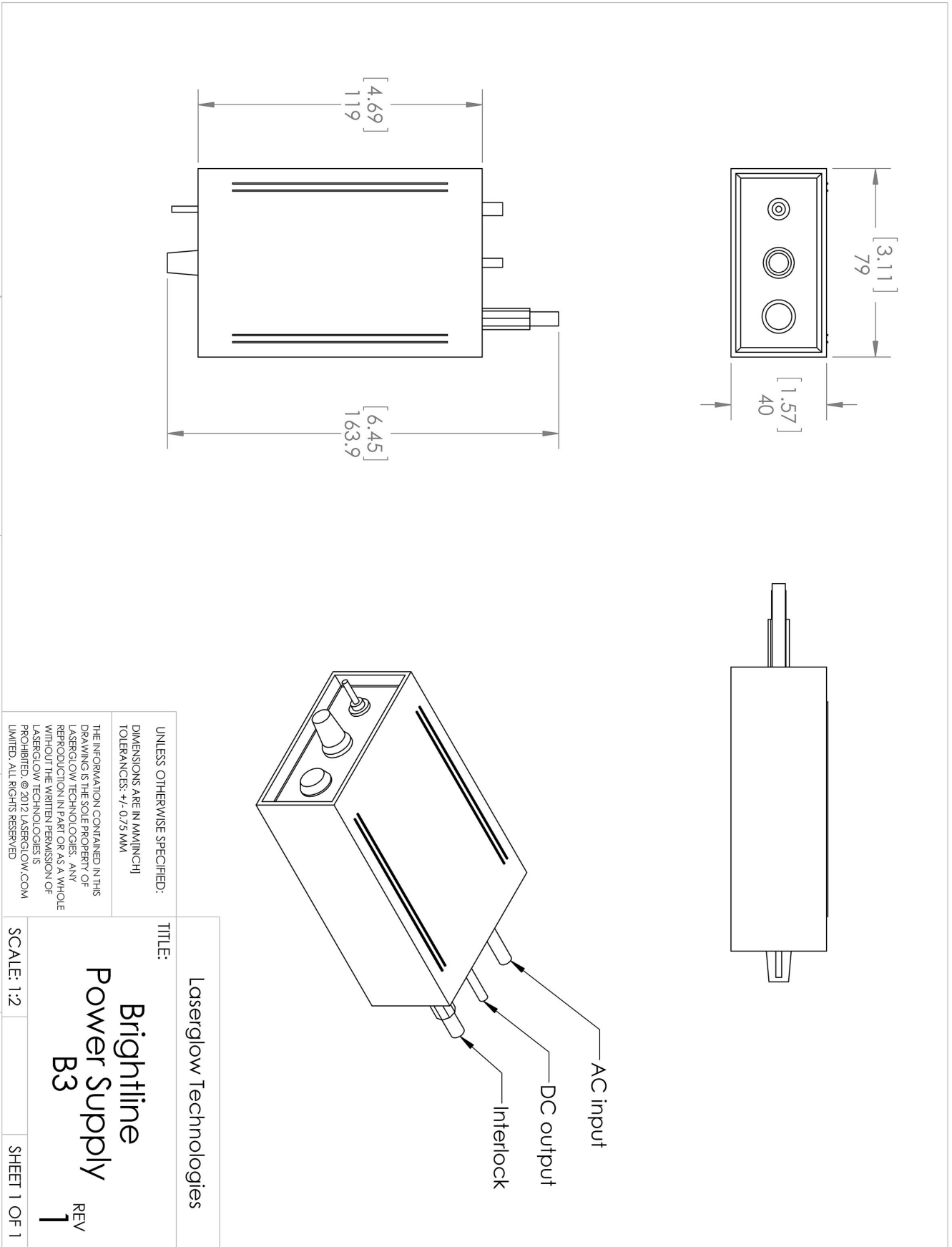
The model you have selected (BCG040247) requires the following safety label(s):



Dimensional Drawing - Laser Form Factor: B7:







Dimensional Drawing - Power Supply Form Factor: B3:



Accessories:

The most popular accessories for model BCG040247 are shown below. For additional details regarding these or other accessories please see our website or contact us directly.

Part Number	Description	
 ABB000XXX	ABB-standard Brightline Standard Mounting Bracket Full Details: www.laserglow.com/ABB	Included With Laser
 ADB000XXX	ADB-deluxe Brightline Deluxe Mounting Bracket Full Details: www.laserglow.com/ADB	
 ABP00AXXX	ABP-N.American Brightline AC Power Supply (80-260 VAC, N. American plug) Full Details: www.laserglow.com/ABP	Included With Laser
 ABP00EXXX	ABP-European Brightline AC Power Supply (80-260 VAC, European Plug) Full Details: www.laserglow.com/ABP	Included With Laser

FOR MORE INFORMATION PLEASE CONTACT:

LASERGLOW TECHNOLOGIES
873 St. Clair Ave West, Toronto, ON, Canada M6C1C4
Tel. (416) 729-7976 Fax (480) 247-4864
sales@laserglow.com www.laserglow.com

E&OE: Data included in this sheet may be subject to change without notice.

Please confirm critical specifications with our staff prior to ordering.