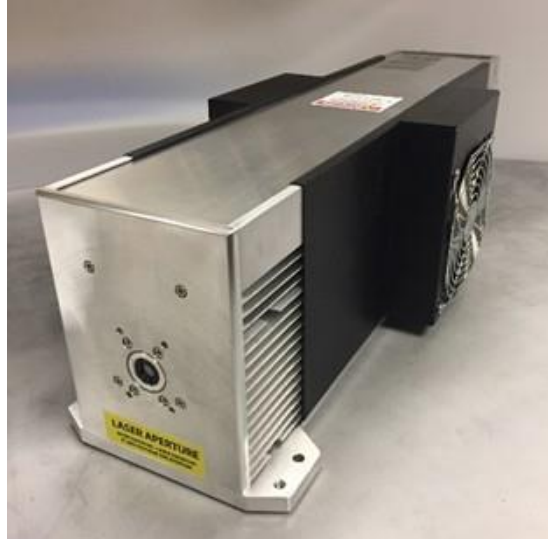


Iradion® Infinity Series

Ceramic CO₂ Lasers, Model 15XXSB



The new **Iradion Infinity** CO₂ laser series combines the exceptional performance of a monolithic ceramic resonator with the latest RF design into a single integrated package. The result is a compact, efficient, and powerful laser with fast rise and fall time and great optical characteristics.

Feature	Benefit
Pure ceramic	No contamination, no leaks
Low thermal expansion	Enhanced laser stability
Fast driver electronics	Quick rise and fall time
High efficiency	Air cooled up to 120 Watts
30% fewer parts	Higher reliability
Adjustable power <1 W to MAX	Flexibility
Long lifetime	No need to ever refill tube
OEM configurations available	Optimized for your application

Options available:

- Beam Expander
- Laser Diode Pointer

IRADION
Ceramic Core CO₂ Lasers

www.iradionlaser.com

Specifications

Infinity 15XX*SB Models	154-9.3 μm	155	156-9.3 μm	156	158	1510	1512
Rated Optical Power (Watts)	40	50	60	60	80	100	120
Mode Quality (M ²)	≤ 1.2	≤ 1.2	≤ 1.2	≤ 1.2	≤ 1.2	≤ 1.2	≤ 1.2
Beam Ellipticity	< 1.2:1	< 1.2:1	< 1.2:1	< 1.2:1	< 1.2:1	< 1.2:1	< 1.2:1
Beam Diameter (mm) 1/e ²	2.5	2.5	2.5	2.5	2.5	2.5	2.5
Beam Divergence (mrad, full angle)	<7	<7	<7	<7	<7	<7	<7
Wavelength (μm)	9.3	10.2, 10.6	9.3	10.2, 10.6	10.2, 10.6	10.2, 10.6	10.2, 10.6
Rise Time (μs)	<75	<75	<75	<75	<75	<75	<75
Power Stability, Fan Cooled (% from cold)	<± 7 %	<± 5 %	<± 7 %	<± 5 %	<± 5 %	<± 5 %	<± 5 %
Power Stability, Water Cooled (% from cold)	<± 5 %	<± 3 %	<± 5 %	<± 3 %	<± 3 %	<± 3 %	<± 3 %
Polarization	Random	Random	Random	Random	Random	Random	Random
Cooling	Fan or Water	Fan or Water	Fan or Water	Fan or Water	Fan or Water	Fan or Water	Fan or Water
Input Power (Watts)	1125	620	1500	1000	1125	1500	1500
Input Voltage / Current	45V / 25A	31V / 20A	50V / 30A	40V / 25A	45V / 25A	48V / 30A	50V / 30A
Weight (kg / lbs.)	14.7 / 32.4	14.7 / 32.4	14.7 / 32.4	14.7 / 32.4	14.7 / 32.4	14.7 / 32.4	14.7 / 32.4

Specifications are preliminary and subject to change without notice

Laser Interface

Connectors	15 pin D	RJ45
Fire Command	Yes	Yes
Interlock	Yes	Yes
Fault Signal	Yes	Yes
RS232 Comm*	Yes	Yes
Ready Signal	Yes	No
Key Switch Control	Yes	No
Forward RF Signal	Yes	No
Reflected RF Signal	Yes	No
Lase Light Signal	Yes	No
Temperature Warn	Yes	No

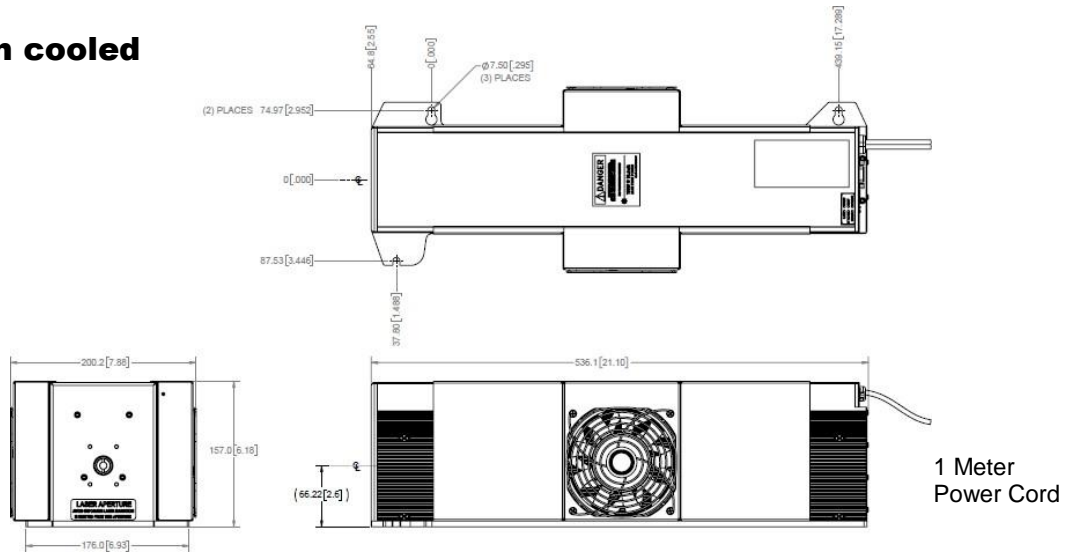
Indicator lights:

LASE ● ● FAULT IN
 LOCK ● ● TEMP
 READY ● ● POWER

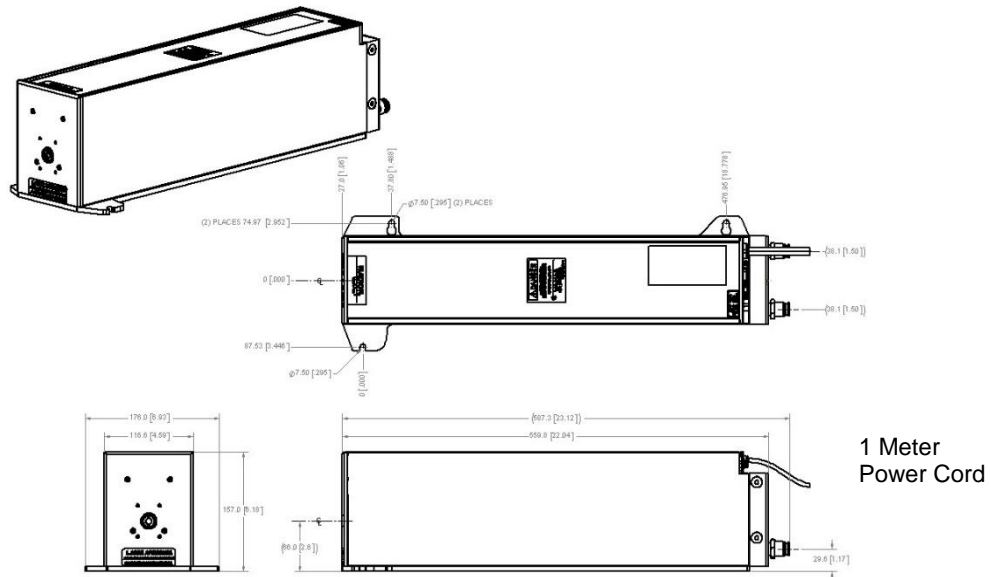
* The laser control card can be monitored via RS232 communications. A variety of signals, laser information, and the temperature can be interfaced to your host controller



Fan cooled



Water cooled



Order Information: 15XX*SB

*Model designator:

F = for fan cooled

W = for water cooled

A = for air cooled (no fans)

Example: 60 Watts fan cooled 156FSB

Patents: US 7460577 B2
US 8295319 B2



Invisible Laser Radiation
Avoid eye Skin exposure to
direct or scattered radiation.
Class 4 Laser Product.

Iradion Laser Inc.,
One Technology Drive
Uxbridge, MA 01569
Tel: 1-401-762-5100
Fax: 1-401-762-5111

IRADION
Ceramic Core CO₂ Lasers

www.iradionlaser.com



RoHS
CE

