

# NEW! Near Infrared in Real Time

*Now includes auto contrast and edge enhancement*

## IR-1000 Real Time CCD Camera

- High sensitivity
- Near infrared
- New! Automatic contrast
- New! Edge enhancement



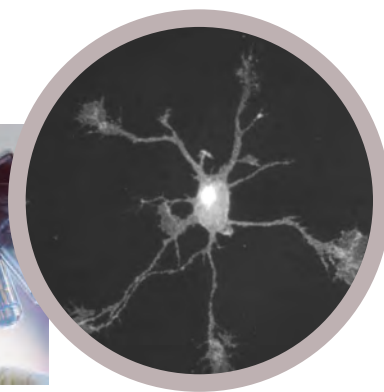
*Dage-MTI IR-1000 Infrared CCD Camera and control unit*

The newly designed IR-1000 infrared CCD camera is ideal for applications requiring high sensitivity in the near infrared. The high gain of the camera enables users to detect images in real-time (30 frames/sec.) even when energy levels are very low.

With wide range gain and black level controls, the IR-1000 enables the user to enhance image contrast and offers the ability to apply short-term integration for increased sensitivity. **New features such as automatic contrast and edge enhancement offer users greater control and easier use than ever before in this unique one-of-a-kind product from Dage-MTI.**

### Ideal for applications such as...

- Electrophysiology
- Fluorescence Microscopy
- Brightfield, Phase Contrast, and Darkfield Microscopy
- Semiconductor Inspection
- Manufacturing Quality Control
- Failure Analysis
- Forensic Analysis
- Teaching Environment



### High Sensitivity in Near IR

- Excellent sensitivity in near IR and entire visible spectrum response from 380 nm to 1200 nm
- Provides 5 times more sensitivity at 900 nm

### NEW Automatic Contrast

- Electronics instantaneously readjust for optimum contrast
- Useful when changing magnification levels, specimens and/or lighting levels

### NEW Edge Enhancement

- Real-time edge enhancement sharpens edges
- Delivers clearer picture by resolving fine details in the image

# IR-1000 Real Time CCD Camera

## SPECIFICATIONS

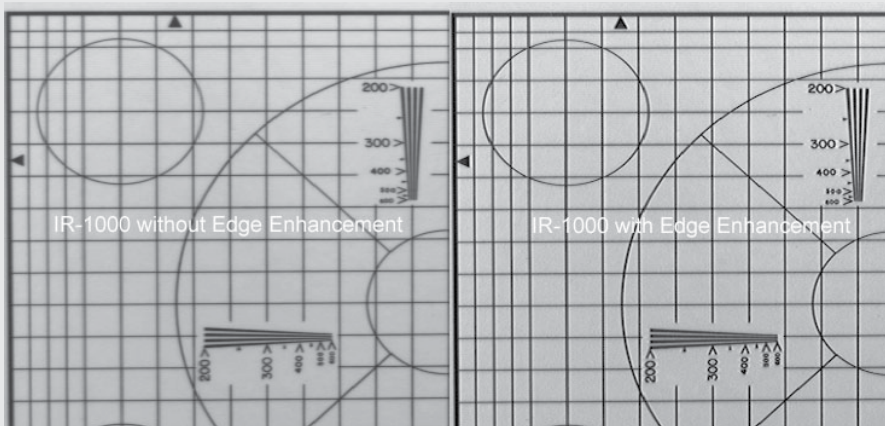
Pick-Up Device	1/2" interline CCD with microlens
Signal-to-Noise Ratio	>56dB
Shading	<5% overall
Sensitivity	.05fc (0.5 lux) on sensing area @ 3200K
Minimum Illumination	.00035 fc (.0035 lux)
Gamma Correction	Gamma set to 1.0 at factory
Gain/Black Level	Switchable fixed or automatic (100:1)
Electronic Shutter	Nine-step manual to 1/10,000

	<b>IR-1000</b>	<b>IR-1000 E</b>
Active Picture Elements	RS-170	CCIR
Picture Element Size	768 (H) x 494 (V)	752 (H) x 582 (V)
Horizontal Resolution	8.5um (H) x 9.8um (V)	8.6um (H) x 8.3um (V)
Pixel Clock Frequency	570 TVL	560 TVL
Vertical Rate	14.318 mHz	14.1875 mHz
Horizontal Rate	59.94 Hz	50 Hz
	15,734 Hz	15,625 Hz
Lens Mount	"C" mount	
Options	Computer interface Investigator 1/2" optical coupler	
Operating temperature	0°C to +40°C	
Input voltage	95 VAC to 250 VAC	

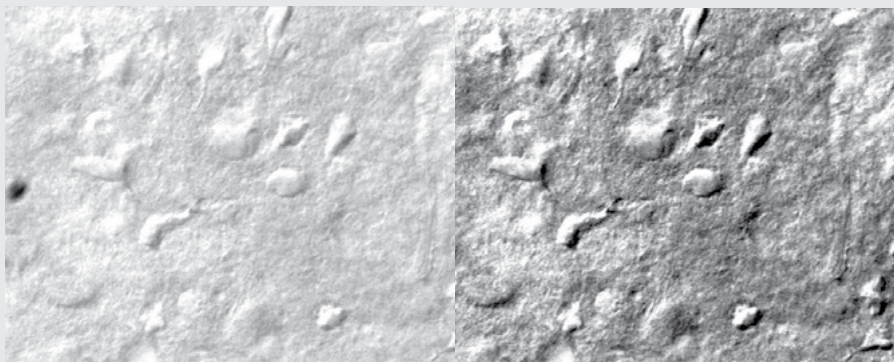
- High sensitivity
- Near infrared
- New! Automatic contrast
- New! Edge enhancement



Dage-MTI IR-1000 Infrared CCD Camera and control unit



- Real-time edge enhancement greatly increases fine detail
- Automatic contrast - When a scene changes, the electronics automatically and instantaneously readjust to achieve optimum contrast



Auto contrast with dark object in field of view

Auto contrast without dark object in field of view

## Features:

- NIR Spectral Response
- High Sensitivity
- Two-Piece Design
- Wide Range Automatic Gain
- Wide Range Black Level
- Ten-Step Grey Scale Test Signal
- On-Chip Integration

**DAGE-MTI**

For more information, call  
(219) 872-5514 or visit  
[www.dagemti.com](http://www.dagemti.com).

Call today for product specs,  
demo, or to place an order.