

Real deep UV Q-switched solid-state laser,
213 nm wavelength, TEM₀₀ beam profile



Applications

- Fiber Bragg grating fabrication
- Wavelength sensitive processes
- Stereo-lithography
- Display repair
- Micro-machining
- Semi-conductor inspection
- Replacement of freq. doubled Ar-Ion lasers
- Photoluminescence measurements

General Description

The IMPRESS 213 laser system is a high repetition rate solid-state diode pumped Q-switched laser with an emission wavelength of 213 nm. Its precise TEM₀₀-mode laser beam is well suited for metrology and micro-machining such as semi-conductor or display repair. Due to the very short wavelength structure sizes below 1 μm are possible in direct writing applications. The laser delivers < 7 ns short pulses with a superior beam quality of M² < 1.6. The laser system is completely computer controlled via a RS-232 interface. Different trigger control modes are available. The system operates autoranging from 90-240 VAC, 47-63 Hz.

Features

- Extremely short UV wavelength
- Diode laser pumped
- Slot mounted laser diode
- Excellent beam profile
- High pulse power
- Ultra low maintenance costs
- "Green Photonics"
- 24/7 continuous industrial use

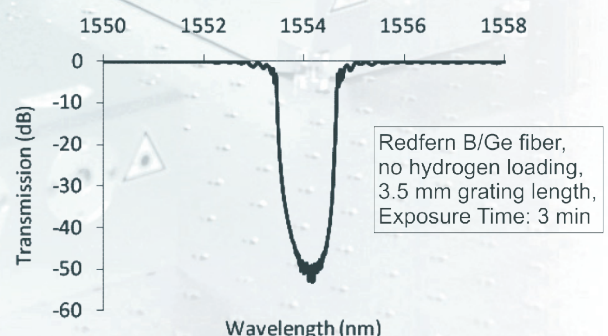
Product Specifications

Model	IMPRESS 213
wavelength	213 nm
average power	150 mW
pulse duration	< 7 ns
energy per pulse	> 15 μJ
repetition rate	0.1-30 kHz
M ²	< 1.6

Specifications are subject to change without notice due to product improvement.

Outstanding in FBG writing

- Extremely fast writing
- No Hydrogen loading necessary



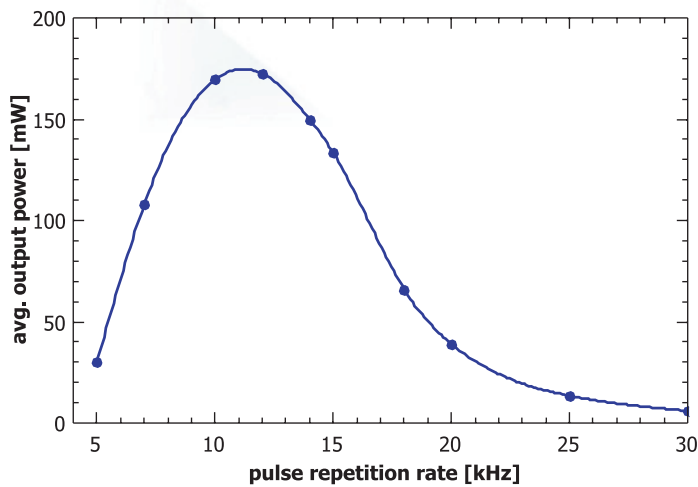
System Dimensions (L x W x H), weight

Laser head	395 x 320 x 96 mm ³	17.8 kg
Power supply	446 x 440 x 134 mm ³	14.8 kg
Chiller	446 x 381 x 134 mm ³	12.0 kg

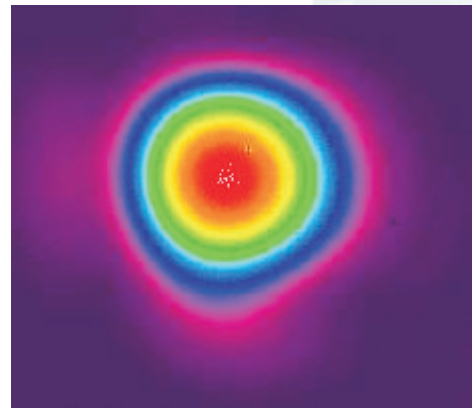
Electrical Characteristics

Operating voltage	85-264 VAC
Frequency	47 – 63 Hz
Power consumption	300 W typ.

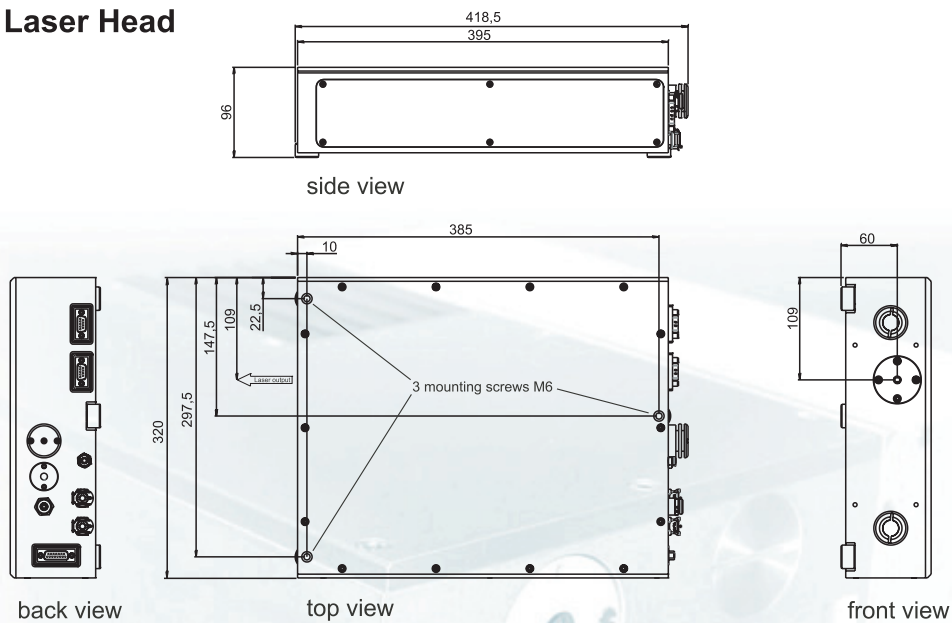
Typical Performance



Beam Profile



Dimensions Laser Head



Visible and/or invisible laser radiation. Avoid eye or skin exposure to direct or scattered radiation.
Class 4 laser (IEC-825)



Xiton Photonics GmbH
Kohlenhofstrasse 10
D-67663 Kaiserslautern
Germany

Tel.: +49 (0)631 414 9944-0
Fax: +49 (0)631 414 9944-9
sales@xiton-photonics.com
www.xiton-photonics.com