



ILEE® MOZIL 13 MM

CHARACTERISTICS

- Accurate alignment of the optical to the mechanical axis (<0.8 mrad full angle)
- Solid built for industrial use
- Compact & potential-free housing
- Beam shape: Dot
- Can be factory-focused to required working distance on customer request
- AR coated glass lens
- Low power consumption

APPLICATIONS

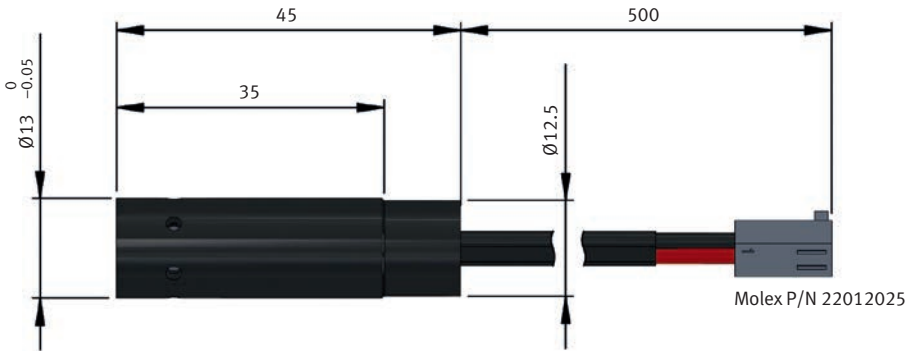
- Measurement
- Pointing
- Alignment
- Positioning

TECHNICAL DATA

Wave-length nm	Optical output mW	Beam shape	Laser class ¹⁾	Divergence ²⁾ mrad	Wavelength shift ³⁾ nm/°C	Output power stability ³⁾ % 25°C	Ripple noise 4–6VDC rms	Order number
● 515	<1	Dot	2	<0.5	0.25	<0.5	<1%	0009-06-92-01

¹⁾ EN/ISO 60825-1 ²⁾ E@FWHM ³⁾ after warmup

DIMENSIONS (MM)



ELECTRICAL CONNECTIONS

VCC: Red (+) Operating voltage: 4–6VDC
GND: Black (-)



Laser beams can cause damage to your eyes.
The user is responsible to observe the local safety regulations.

Mistakes and technical changes reserved.

Rheinmetall Air Defence AG

Birchstrasse 155 · CH 8050 Zurich · Switzerland · Phone +41 44 316 22 11
ilee.rad@rheinmetall.com · www.ilee.ch

